



REYNOLDS

CARBON WHEEL EXPERTS

2019 TECHNICAL SERVICE MANUAL

TABLE OF CONTENTS

BLACK LABEL AERO WHEELSETS.....	PAGES 3 – 11
AR & ARX ROAD RIM BRAKE WHEELSETS.....	PAGES 12 – 19
AR & ARX ROAD DISC BRAKE WHEELSETS.....	PAGES 20 – 29
ATR & ATRX GRAVEL WHEELSETS.....	PAGES 30 – 37
BLACK LABEL MOUNTAIN.....	PAGES 38 – 51
TR & TRS MOUNTAIN.....	PAGES 52 – 64
TRE ELECTRIC MOUNTAIN.....	PAGES 65 – 73

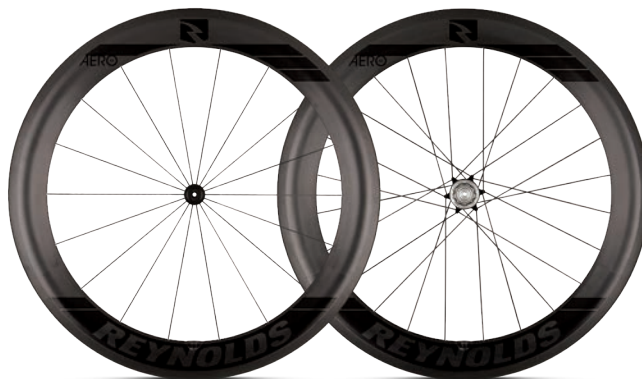
WARNING: The information contained herein is proprietary and confidential to Reynolds Cycling and Reynolds Cycling affiliates. This document is not intended for public distribution or disclosure. This document may be referenced and reproduced for and by Reynolds Cycling and Reynolds Cycling affiliates only.



AERO RIM BRAKE ROAD WHEELS



AERO 65



AERO 80

WARNING: The information contained herein is proprietary and confidential to Reynolds Cycling and Reynolds Cycling affiliates. This document is not intended for public distribution or disclosure. This document may be referenced and reproduced for and by Reynolds Cycling and Reynolds Cycling affiliates only.

AERO 65 CLINCHER RIM BRAKE



77681	WS, 65 AERO C TL RB SHIM 18/24	
77683	W, 65 AERO C TL RB FRONT 18H	1.00
67683	D RIM, HIO AERO 65 C TL RB 18H	1.00
20915	RIM TAPE, TL 22MM 5.5M	1.00
21862	HUB, FRONT AERO RB SP 18H	1.00
21575	SPOKE, SPM CX-RAY SP 260MM BLK	18.00
20911	NIPPLE, HEX HIDDEN INTERNAL	18.00
85585	W ACC KIT, 65 AERO TL RB FRNT	1.00
85112	WHEEL BAG SINGLE, REYNOLDS	1.00
20333	REYNOLDS NEW PROD WEBSITE CARD	1.00
21786	VALVE STEM, TUBELESS 85MM LONG	1.00
20816	SKEWER, QR FRONT UPPER LEVEL	1.00
21880	BRAKE PAD,CRYO BL PWR SHIM (PAIR)	1.00
77684	W, 65 AERO C TL RB SHIMANO 24H	1.00
67684	D RIM, HIO AERO 65 C TL RB 24H	1.00
20915	RIM TAPE, TUBELESS 22MM 5.5 M	1.00
21863	HUB, I9 AERO RB SHIM SP 24H	1.00
21576	SPOKE, SPM CX-RAY 267MM SP BLK	12.00
21584	SPOKE, SPM CX-RAY 265MM SP BLK	12.00
20911	NIPPLE, HEX HIDDEN INTERNAL	24.00
85586	W ACC KIT, 65 AERO TL RB SHIM	1.00
20333	REYNOLDS NEW PROD WEBSITE CARD	1.00
21786	VALVE STEM, TUBELESS 85MM LONG	1.00
20817	SKEWER, QR REAR UPPER LEVEL	1.00
21880	BRAKE PAD,CRYO BL PWR SHIM PAIR	1.00
85112	WHEEL BAG SINGLE, REYNOLDS	1.00

FREEHUB OPTIONS

21857	FREEHUB, AERO RB/DB XD 11 SPD
21858	FREEHUB, AERO RB/DB CAMPY 11 SPD

WARNING: The information contained herein is proprietary and confidential to Reynolds Cycling and Reynolds Cycling affiliates. This document is not intended for public distribution or disclosure. This document may be referenced and reproduced for and by Reynolds Cycling and Reynolds Cycling affiliates only.

HAYES

manitou

PRO TAPE

REYNOLDS

SUN
ringle

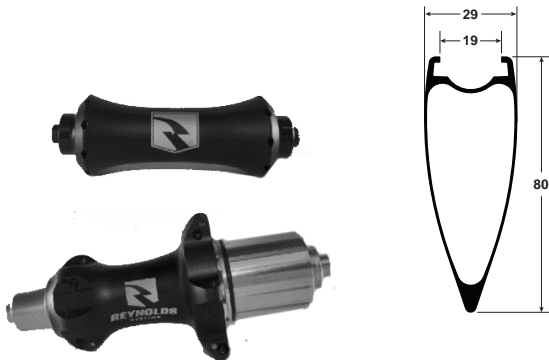
REYNOLDS
WHEELS

HAYESBICYCLE.COM

HAYES
PERFORMANCE SYSTEMS

Modification Date July 22, 2019

AERO 80 CLINCHER RIM BRAKE



77851	WS, 80 AERO C TL RB SHIM 18/24	
77853	W, 80 AERO C TL RB FRONT 18H	1.00
67853	D RIM, HIO AERO 80 C TL RB 18H	1.00
20915	RIM TAPE, TL 22MM 5.5M	1.00
21862	HUB, FRONT AERO RB SP 18H	1.00
21582	SPOKE, SPM CX-RAY SP 246MM BLK	18.00
20911	NIPPLE, HEX HIDDEN INTERNAL	18.00
85587	W ACC KIT, 80 AERO TL RB FRNT	1.00
85112	WHEEL BAG SINGLE, REYNOLDS	1.00
20333	REYNOLDS NEW PROD WEBSITE CARD	1.00
21787	VALVE STEM, TUBELESS 100MM LONG	1.00
20816	SKEWER, QR FRONT UPPER LEVEL	1.00
21880	BRAKE PAD,CRYO BL PWR SHIM (PAIR)	1.00
77854	W, 80 AERO C TL RB SHIMANO 24H	1.00
67854	D RIM, HIO AERO 80 C TL RB 24H	1.00
20915	RIM TAPE, TUBELESS 22MM 5.5 M	1.00
21863	HUB, I9 AERO RB SHIM SP 24H	1.00
21583	SPOKE, SPM CX-RAY 253MM SP BLK	12.00
21588	SPOKE, SPM CX-RAY 258MM SP BLK	12.00
20911	NIPPLE, HEX HIDDEN INTERNAL	24.00
85588	W ACC KIT, 80 AERO TL RB REAR	1.00
20333	REYNOLDS NEW PROD WEBSITE CARD	1.00
21787	VALVE STEM, TUBELESS 100MM LONG	1.00
20817	SKEWER, QR REAR UPPER LEVEL	1.00
21880	BRAKE PAD,CRYO BL PWR SHIM PAIR	1.00
85112	WHEEL BAG SINGLE, REYNOLDS	1.00

FREEHUB OPTIONS

21857	FREEHUB, AERO RB/DB XD 11 SPD
21858	FREEHUB, AERO RB/DB CAMPY 11 SPD

WARNING: The information contained herein is proprietary and confidential to Reynolds Cycling and Reynolds Cycling affiliates. This document is not intended for public distribution or disclosure. This document may be referenced and reproduced for and by Reynolds Cycling and Reynolds Cycling affiliates only.

HAYES

manitou

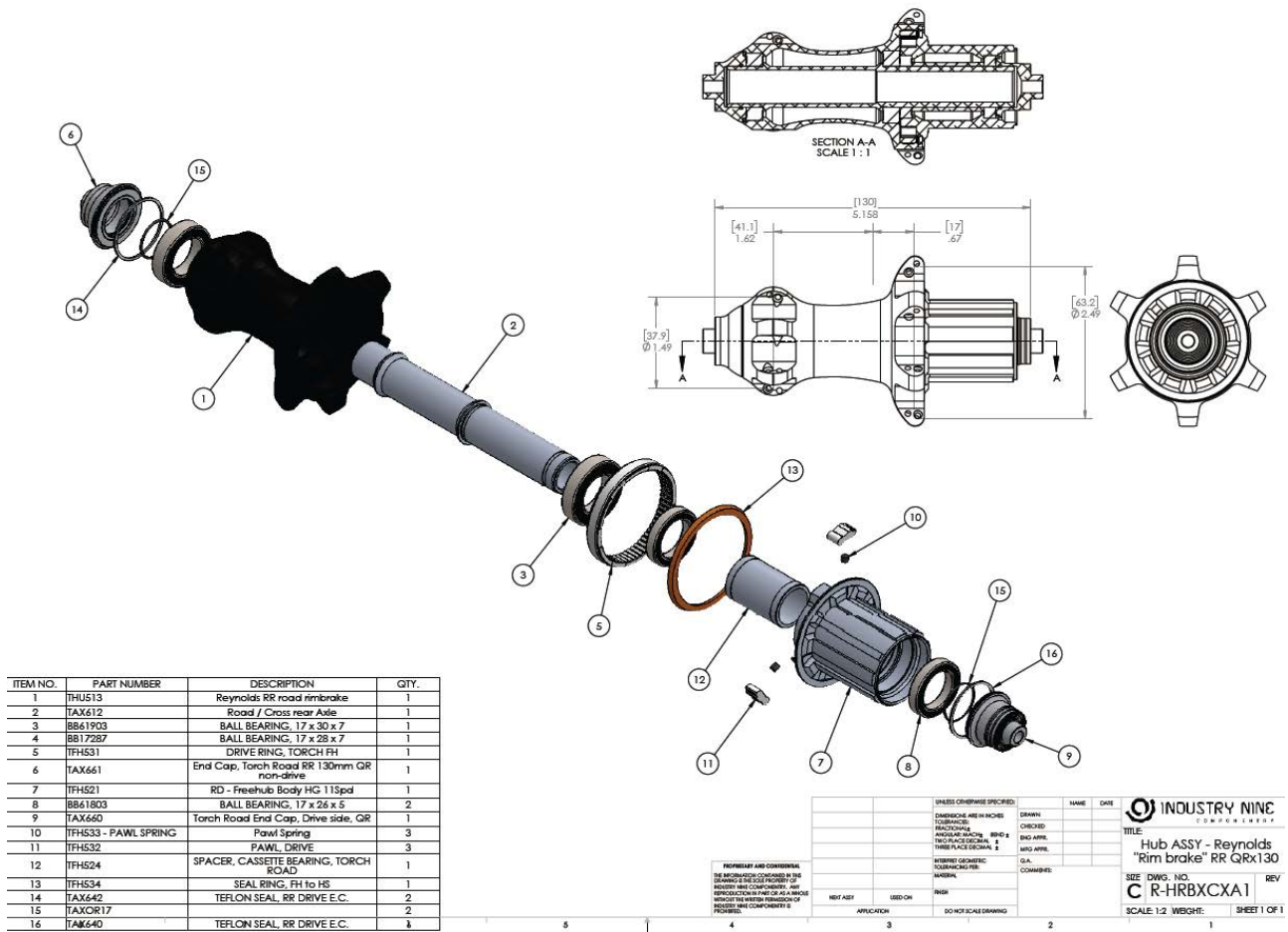
PROTAPER

REYNOLDS

SUN
ringle

WHEELS
W
POCKET

AERO / 19 RIM BRAKE HUB



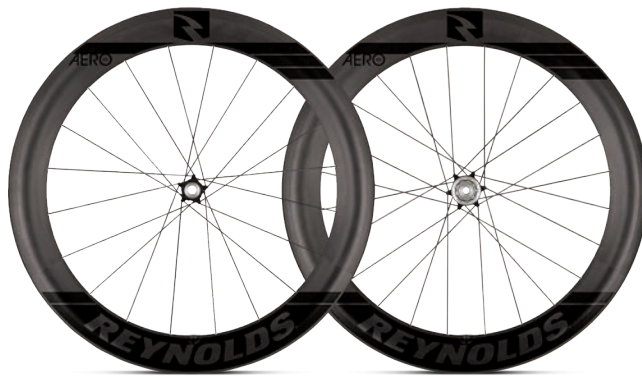
WARNING: The information contained herein is proprietary and confidential to Reynolds Cycling and Reynolds Cycling affiliates. This document is not intended for public distribution or disclosure. This document may be referenced and reproduced for and by Reynolds Cycling and Reynolds Cycling affiliates only.



AERO ROAD DISC WHEELS



AERO 46 DISC



AERO 65 DISC



AERO 80 DISC

WARNING: The information contained herein is proprietary and confidential to Reynolds Cycling and Reynolds Cycling affiliates. This document is not intended for public distribution or disclosure. This document may be referenced and reproduced for and by Reynolds Cycling and Reynolds Cycling affiliates only.

AERO 46 CLINCHER ROAD DISC



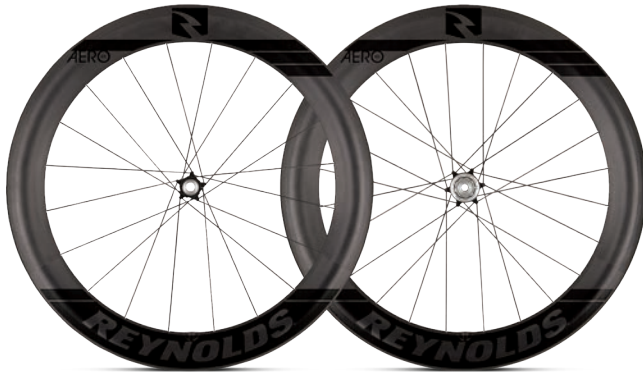
77341	WS, 46 AERO C TL DB SHIM 20/24	
77343	W, 46 AERO C TL DB FRONT 20H	1.00
67343	D RIM, HIO AERO 46 C TL DB 20H	1.00
20915	RIM TAPE, TUBELESS 22MM 5.5 M	1.00
21860	HUB, i9 DB CL 12MM FRONT 20H	1.00
21533	SPOKE, SPM CX-RAY SP 290MM BLK	20.00
20911	NIPPLE, HEX HIDDEN INTERNAL	20.00
85581	W ACC KIT, 46 AERO TL DB FRNT	1.00
85112	WHEEL BAG SINGLE, REYNOLDS	1.00
20333	REYNOLDS NEW PROD WEBSITE CARD	1.00
21013	VALVE STEM, TUBELESS 75MM LONG	1.00
21287	LOCK RING, CENTER LOCK	1.00
21289	ADAPTER, CL TO IS6-BOLT	1.00
21869	END CAP, i9 DB FRT TA 15X100	1.00
77344	W, 46 AERO C TL DB SHIMANO 24H	1.00
67344	D RIM, HIO AERO 46 C TL DB 24H	1.00
20915	RIM TAPE, TUBELESS 22MM 5.5 M	1.00
21861	HUB, i9 DB CL 142/12 SHIM 24H	1.00
21605	SPOKE, SPM CX-RAY SP 285MM BLK	12.00
21593	SPOKE, SPM CX-RAY SP 280MM BLK	12.00
20911	NIPPLE, HEX HIDDEN INTERNAL	24.00
85582	W ACC KIT, 46 AERO TL DB REAR	1.00
20333	REYNOLDS NEW PROD WEBSITE CARD	1.00
21013	VALVE STEM, TUBELESS 75MM LONG	1.00
21287	LOCK RING, CENTER LOCK	1.00
21289	ADAPTER, CL TO IS6-BOLT	1.00
85112	WHEEL BAG SINGLE, REYNOLDS	1.00

FREEHUB OPTIONS

21857	FREEHUB, AERO RB/DB XD 11 SPD
21858	FREEHUB, AERO RB/DB CAMPY 11 SPD
21867	END CAP, AERO DB FRT QR 15x100
21869	END CAP, AERO DB FRT TA 15x100
21870	END CAP, AERO DB REAR QR 5x135
21872	END CAP, AERO DB REAR TA 12x135

WARNING: The information contained herein is proprietary and confidential to Reynolds Cycling and Reynolds Cycling affiliates. This document is not intended for public distribution or disclosure. This document may be referenced and reproduced for and by Reynolds Cycling and Reynolds Cycling affiliates only.

AERO 65 CLINCHER ROAD DISC



77661	WS, 65 AERO C TL DB SHIM 20/24	
77663	W, 65 AERO C TL DB FRONT 20H	1.00
67663	D RIM, HIO AERO 65 C TL DB 20H	1.00
20915	RIM TAPE, TUBELESS 22MM 5.5 M	1.00
21860	HUB, i9 DB CL 12MM FRONT 20H	1.00
21592	SPOKE, SPM CX-RAY SP 275MM BLK	10.00
20911	NIPPLE, HEX HIDDEN INTERNAL	20.00
85583	W ACC KIT, 65 AERO TL DB FRNT	1.00
85112	WHEEL BAG SINGLE, REYNOLDS	1.00
20333	REYNOLDS NEW PROD WEBSITE CARD	1.00
21786	VALVE STEM, TUBELESS 85MM LONG	1.00
21287	LOCK RING, CENTER LOCK	1.00
21289	ADAPTER, CL TO IS6-BOLT	1.00
21869	END CAP, i9 DB FRT TA 15X100	1.00
77664	W, 65 AERO C TL DB SHIMANO 24H	1.00
67664	D RIM, HIO AERO 65 C TL DB 24H	1.00
20915	RIM TAPE, TUBELESS 22MM 5.5 M	1.00
21861	HUB, i9 DB CL 142/12 SHIM 24H	1.00
21576	SPOKE, SPM CX-RAY SP 267MM BLK	12.00
21584	SPOKE, SPM CX-RAY SP 265MM BLK	12.00
20911	NIPPLE, HEX HIDDEN INTERNAL	24.00
85584	W ACC KIT, 65 AERO TL DB REAR	1.00
20333	REYNOLDS NEW PROD WEBSITE CARD	1.00
21786	VALVE STEM, TUBELESS 85MM LONG	1.00
21287	LOCK RING, CENTER LOCK	1.00
21289	ADAPTER, CL TO IS6-BOLT	1.00
85112	WHEEL BAG SINGLE, REYNOLDS	1.00

FREEHUB OPTIONS

21857	FREEHUB, AERO RB/DB XD 11 SPD
21858	FREEHUB, AERO RB/DB CAMPY 11 SPD
21867	END CAP, AERO DB FRT QR 15x100
21869	END CAP, AERO DB FRT TA 15x100
21870	END CAP, AERO DB REAR QR 5x135
21872	END CAP, AERO DB REAR TA 12x135

WARNING: The information contained herein is proprietary and confidential to Reynolds Cycling and Reynolds Cycling affiliates. This document is not intended for public distribution or disclosure. This document may be referenced and reproduced for and by Reynolds Cycling and Reynolds Cycling affiliates only.

HAYES

manitou

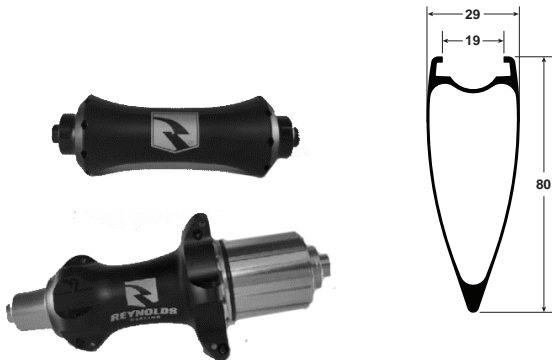
PROTAPER

REYNOLDS

SUN
ringle

WHEELS
WHEELS

AERO 80 CLINCHER ROAD DISC



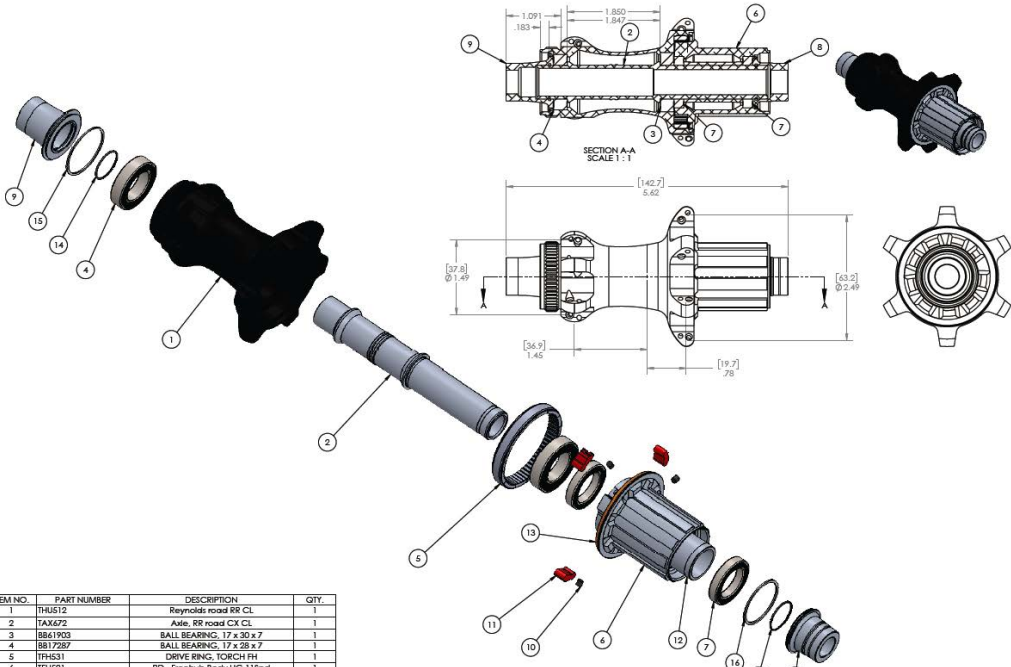
77861	WS, 80 AERO C TL DB SHIM 20/24	
77863	W, 80 AERO C TL DB FRONT 20H	1.00
67863	D RIM, HIO AERO 80 C TL DB 20H	1.00
20911	NIPPLE, HEX HIDDEN INTERNAL	20.00
20918	RIM TAPE, TL 22MM 5.5M INSTALED	1.00
21571	SPOKE, SPM CX-RAY SP 262MM BLK	10.00
21575	SPOKE, SPM CX-RAY SP 260MM BLK	10.00
21860	HUB, i9 DB CL 12MM FRONT 20H	1.00
85112	WHEEL BAG SINGLE, REYNOLDS	1.00
85595	W ACC KIT, 80 AERO TL DB FRNT	1.00
77864	W, 80 AERO C TL DB SHIMANO 24H	1.00
67864	D RIM, HIO AERO 80 C TL DB 24H	1.00
20911	NIPPLE, HEX HIDDEN INTERNAL	24.00
20918	RIM TAPE, TL 22MM 5.5M INSTALED	1.00
21586	SPOKE, SPM CX-RAY SP 254MM BLK	12.00
21730	SPOKE, SPM CX-RAY SP 257MM BLK	12.00
21861	HUB, i9 DB CL 142/12 SHIM 24H	1.00
85112	WHEEL BAG SINGLE, REYNOLDS	1.00
85596	W ACC KIT, 80 AERO TL DB REAR	1.00
77867	WS, 80 AERO C TL DB XD 20/24	
77863	W, 80 AERO C TL DB FRONT 20H	1.00
77870	W, 80 AERO C TL DB XD 24H	1.00
67864	D RIM, HIO AERO 80 C TL DB 24H	1.00
20911	NIPPLE, HEX HIDDEN INTERNAL	24.00
20918	RIM TAPE, TL 22MM 5.5M INSTALED	1.00
21586	SPOKE, SPM CX-RAY SP 254MM BLK	12.00
21730	SPOKE, SPM CX-RAY SP 257MM BLK	12.00
21866	HUB, i9 DB CL 142/12 XD 24H	1.00
85112	WHEEL BAG SINGLE, REYNOLDS	1.00
85596	W ACC KIT, 80 AERO TL DB REAR	1.00

FREEHUB OPTIONS

21857	FREEHUB, AERO RB/DB XD 11 SPD
21858	FREEHUB, AERO RB/DB CAMPY 11 SPD
21867	END CAP, AERO DB FRT QR 15x100
21869	END CAP, AERO DB FRT TA 15x100
21870	END CAP, AERO DB REAR QR 5x135
21872	END CAP, AERO DB REAR TA 12x135

WARNING: The information contained herein is proprietary and confidential to Reynolds Cycling and Reynolds Cycling affiliates. This document is not intended for public distribution or disclosure. This document may be referenced and reproduced for and by Reynolds Cycling and Reynolds Cycling affiliates only.

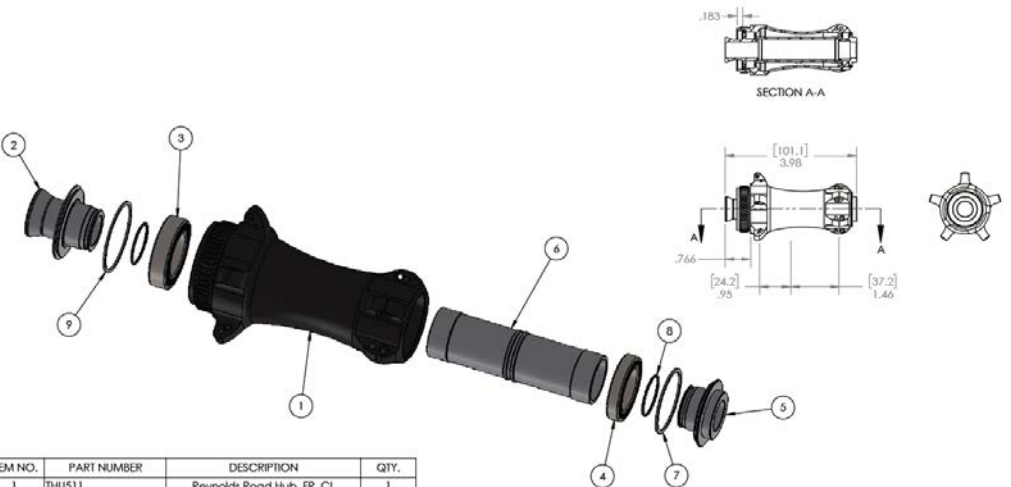
AERO / 19 DISC BRAKE HUB



ITEM NO.	PART NUMBER	DESCRIPTION	QTY.
1	THU512	Reynolds road RR CL	1
2	TAX672	Axle, RR road CX CL	1
3	BB1903	BALL BEARING, 17 x 28 x 7	1
4	BB17287	BALL BEARING, 17 x 28 x 7	1
5	TFH531	DRIVE RING, TORCH FH	1
6	TFH521	RD - Freehub Body PG 11Spd	1
7	BB61803	BALL BEARING, 17 x 26 x 5	2
8	TAX670	Torch MNT End Cap, Drive side 12x142	1
9	TAX676	End Cap, Road RR 12x142 CL	1
10	TFH533 - PAWL SPRING	Pawl Spring	3
11	TFH532	PAWL, DRIVE	3
12	TFH524	SPACER, CASSETTE BEARING, TORCH ROAD	1
13	TFH534	SEAL RING, FH to HS	1
14	TAXOR15	O-RING, 15 x 1	2
15	TAX642	TEFLON SEAL, RR DRIVE E.C.	1
16	TAX640	TEFLON SEAL, RR DRIVE E.C.	1

INDUSTRIES SPECIFIED:	NAME	DATE
INDUSTRIES ARE FINISHED TO TOLERANCES: <td></td> <td></td>		
FRACTIONAL 1/32		
TWO PLACE DECIMAL, UNLESS OTHERWISE SPECIFIED		
TOLERANCING PER:		
HAYES:		
INDUSTRY:		
ASSEMBLY:		
FINISH:		
APPLICATION:		

INDUSTRY NINE
 TITLE: Ass'y, Reynolds RR CL ROAD 12x142
 SIZE: DWG. NO. C R-HDCBXCXB1
 SCALE 1:2 WEIGHT: SHEET 1 OF 1



ITEM NO.	PART NUMBER	DESCRIPTION	QTY.
1	THU511	Reynolds Road Hub, FR, CL	1
2	TAX657	End Cap, Road FR CL disc side 12mm Thru	1
3	BB17287	BALL BEARING, 17 x 28 x 7	1
4	BB61803	BALL BEARING, 17 x 26 x 5	1
5	TAX653		1
6	TAX671	Axle, Road FR CL	1
7	TAX640	TEFLON SEAL, RR DRIVE E.C.	1
8	TAXOR15	O-RING, 15 x 1	2
9	TAX642	TEFLON SEAL, RR DRIVE E.C.	3

INDUSTRIES SPECIFIED:	NAME	DATE
INDUSTRIES ARE FINISHED TO TOLERANCES:		
FRACTIONAL 1/32		
TWO PLACE DECIMAL, UNLESS OTHERWISE SPECIFIED		
TOLERANCING PER:		
HAYES:		
INDUSTRY:		
ASSEMBLY:		
FINISH:		
APPLICATION:		

INDUSTRY NINE
 TITLE: Hub ASSY, Reynolds Road FR CL 12MM THRU
 SIZE: DWG. NO. B R-HDCBDMXX
 SCALE 1:2 WEIGHT: SHEET 1 OF 1

WARNING: The information contained herein is proprietary and confidential to Reynolds Cycling and Reynolds Cycling affiliates. This document is not intended for public distribution or disclosure. This document may be referenced and reproduced for and by Reynolds Cycling and Reynolds Cycling affiliates only.

AR & ARX RIM BRAKE



AR29 & AR29 X RIM BRAKE



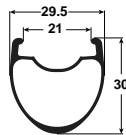
AR41 & AR41 X RIM BRAKE



AR58 & AR58 X RIM BRAKE

WARNING: The information contained herein is proprietary and confidential to Reynolds Cycling and Reynolds Cycling affiliates. This document is not intended for public distribution or disclosure. This document may be referenced and reproduced for and by Reynolds Cycling and Reynolds Cycling affiliates only.

AR29 TUBELESS CLINCHER



FREEHUB OPTIONS

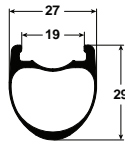
20783	O-RING, GW DB END CAPS
22099	SPACER, GW, RED 17.5*15*2.1 mm
22129	END CAP, GW RB FRNT QR 9/100
22130	END CAP, GW RB REAR QR 9/130
22145	FREEHUB, GW SHIM 11 SPD
22146	FREEHUB, GW XD 11 SPD 4 PAWL
22496	FREEHUB, GW XDR 11SPD 4 PAWL
22159	AXLE, GW RB REAR 15/20/130
22160	AXLE, GW FRONT QR
22162	SPACER, GW REAR AXLE
22162	SPACER, GW REAR AXLE
22163	SEAL, GW REAR HUB NDS

78261	WS, AR29 TL RB SHIM 20/24	
78263	W, AR29 TL RB FRONT 20H	1
58283	D RIM, AR29 TL RB 20H	1
20918	RIM TAPE, TL 22MM 5.5M INSTALLED	1
22105	HUB, GW RB FRNT 5/100 20H	1
22416	SPOKE, SPM SPRINT SP 284MM BLK	20
20355	NIPPLE,EXT BLACK BRASS SQ HEAD	20
22323	DECAL, AR29 RB	1
20635	DECAL, BRAKE WEAR	1
20008	DECAL, REGISTER WHEELS	1
20332	WHEEL RAP HANG TAG	1
20119	BOX, TW DBLE WHL RNLD BOX 2016	0.5
78264	W, AR29 TL RB SHIMANO 24H	1
58284	D RIM, AR29 TL RB 24H	1
20918	RIM TAPE, TL 22MM 5.5M INSTALED	1
22106	HUB, GW RB SHIM 5/130 24H	1
22419	SPOKE, SPM SPRINT SP 290MM BLK	12
22430	SPOKE, SPM SPRINT SP 293MM BLK	12
20355	NIPPLE,EXT BLACK BRASS SQ HEAD	24
22323	DECAL, AR29 RB	1
20635	DECAL, BRAKE WEAR	1
20008	DECAL, REGISTER WHEELS	1
20332	WHEEL RAP HANG TAG	1
20119	BOX, TW DBLE WHL RNLD BOX 2016	0.5
85410	W ACC KIT, ATTACK C RB TL F SHI	1
3040	9 X 12 X 4MIL ZIP LOCK BAG	1
20333	REYNOLDS NEW PROD WEBSITE CARD	1
21011	VALVE STEM, TUBELESS 45MM LONG	1
21880	BRAKE PADS CRYO PWR SHIM (PAIR)	1
20813	FRONT SKEWER MID-LEVEL	1
85589	W ACC KIT, ATTACK RB TL SHIM	1
3040	9 X 12 X 4MIL ZIP LOCK BAG	1
20333	REYNOLDS NEW PROD WEBSITE CARD	1
21011	VALVE STEM, TUBELESS 45MM LONG	1
21880	BRAKE PADS CRYO PWR SHIM (PAIR)	1
20814	REAR SKEWER MID-LEVEL	1

WARNING: The information contained herein is proprietary and confidential to Reynolds Cycling and Reynolds Cycling affiliates. This document is not intended for public distribution or disclosure. This document may be referenced and reproduced for and by Reynolds Cycling and Reynolds Cycling affiliates only.



AR29 X TUBELESS CLINCHER



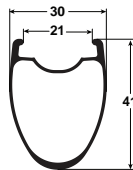
FREEHUB OPTIONS

20783	O-RING, GW DB END CAPS
22099	SPACER, GW, RED 17.5*15*2.1 mm
22129	END CAP, GW RB FRNT QR 9/100
22130	END CAP, GW RB REAR QR 9/130
22145	FREEHUB, GW SHIM 11 SPD
22146	FREEHUB, GW XD 11 SPD 4 PAWL
22496	FREEHUB, GW XDR 11SPD 4 PAWL
22159	AXLE, GW RB REAR 15/20/130
22160	AXLE, GW FRONT QR
22162	SPACER, GW REAR AXLE

78281	WS, AR29x TL RB SHIM 20/24	
78283	W, AR29x TL RB FRONT 20H	1
68283	D RIM, H/O AR29 TL RB 20H	1
20918	RIM TAPE, TL 22MM 5.5M INSTALLED	1
22105	HUB, GW RB FRNT 5/100 20H	1
21558	SPOKE, SPM CXSPNT SP 284MM BLK	20
20311	NIPPLE,EXT BLACK ALLOY SQ HEAD	20
20635	DECAL, BRAKE WEAR	1
20008	DECAL, REGISTER WHEELS	1
20332	WHEEL RAP HANG TAG	1
20119	BOX, TW DBLE WHL RNLD BOX 2016	0.5
78284	W, AR29x TL RB SHIMANO 24H	1
68284	D RIM, H/O AR29 TL RB 24H	1
20918	RIM TAPE, TL 22MM 5.5M INSTALLED	1
22106	HUB, GW RB SHIM 5/130 24H	1
21649	SPOKE, SPM CXSPNT SP 293MM BLK	12
21665	SPOKE, SPM CXSPNT SP 290MM BLK	12
20311	NIPPLE,EXT BLACK ALLOY SQ HEAD	24
20635	DECAL, BRAKE WEAR	1
20008	DECAL, REGISTER WHEELS	1
20332	WHEEL RAP HANG TAG	1
20119	BOX, TW DBLE WHL RNLD BOX 2016	0.5
85410	W ACC KIT, ATTACK C RB TL F SHI	1
3040	9 X 12 X 4MIL ZIP LOCK BAG	1
20333	REYNOLDS NEW PROD WEBSITE CARD	1
21011	VALVE STEM, TUBELESS 45MM LONG	1
21880	BRAKE PADS CRYO PWR SHIM (PAIR)	1
20813	FRONT SKEWER MID-LEVEL	1
85589	W ACC KIT, ATTACK RB TL SHIM	1
3040	9 X 12 X 4MIL ZIP LOCK BAG	1
20333	REYNOLDS NEW PROD WEBSITE CARD	1
21011	VALVE STEM, TUBELESS 45MM LONG	1
21880	BRAKE PADS CRYO PWR SHIM (PAIR)	1
20814	REAR SKEWER MID-LEVEL	1

WARNING: The information contained herein is proprietary and confidential to Reynolds Cycling and Reynolds Cycling affiliates. This document is not intended for public distribution or disclosure. This document may be referenced and reproduced for and by Reynolds Cycling and Reynolds Cycling affiliates only.

AR41 TUBELESS CLINCHER



FREEHUB OPTIONS

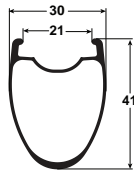
20783	O-RING, GW DB END CAPS
22099	SPACER, GW, RED 17.5*15*2.1 mm
22129	END CAP, GW RB FRNT QR 9/100
22130	END CAP, GW RB REAR QR 9/130
22145	FREEHUB, GW SHIM 11 SPD
22146	FREEHUB, GW XD 11 SPD 4 PAWL
22496	FREEHUB, GW XDR 11SPD 4 PAWL
22159	AXLE, GW RB REAR 15/20/130
22160	AXLE, GW FRONT QR
22162	SPACER, GW REAR AXLE
22162	SPACER, GW REAR AXLE
22163	SEAL, GW REAR HUB NDS

78371	WS, AR41 TL RB SHIM 20/24	
78373	W, AR41 TL RB FRONT 20H	1
58383	D RIM, AR41 TL RB 20H	1
20918	RIM TAPE, TL 22MM 5.5M INSTALLED	1
22105	HUB, GW RB FRNT 5/100 20H	1
22401	SPOKE, SPM SPRINT SP 273MM BLK	20
20355	NIPPLE,EXT BLACK BRASS SQ HEAD	20
22325	DECAL, AR41 RB	1
20635	DECAL, BRAKE WEAR	1
20008	DECAL, REGISTER WHEELS	1
20332	WHEEL RAP HANG TAG	1
20119	BOX, TW DBLE WHL RNLD BOX 2016	0.5
78374	W, AR41 TL RB SHIMANO 24H	1
58384	D RIM, AR41 TL RB 24H	1
20918	RIM TAPE, TL 22MM 5.5M INSTALED	1
22106	HUB, GW RB SHIM 5/130 24H	1
22411	SPOKE, SPM SPRINT SP 279MM BLK	12
22414	SPOKE, SPM SPRINT SP 282MM BLK	12
20355	NIPPLE,EXT BLACK BRASS SQ HEAD	24
22325	DECAL, AR41 RB	1
20635	DECAL, BRAKE WEAR	1
20008	DECAL, REGISTER WHEELS	1
20332	WHEEL RAP HANG TAG	1
20119	BOX, TW DBLE WHL RNLD BOX 2016	0.5
85442	W ACC KIT, ASLT C RB TL F SHIM	1
3040	9 X 12 X 4MIL ZIP LOCK BAG	1
20333	REYNOLDS NEW PROD WEBSITE CARD	1
21012	VALVE STEM, TUBELESS 55MM LONG	1
21880	BRAKE PADS CRYO PWR SHIM (PAIR)	1
20813	FRONT SKEWER MID-LEVEL	1
85591	W ACC KIT, ASSAULT RB TL SHIM	1
3040	9 X 12 X 4MIL ZIP LOCK BAG	1
20333	REYNOLDS NEW PROD WEBSITE CARD	1
21012	VALVE STEM, TUBELESS 55MM LONG	1
21880	BRAKE PADS CRYO PWR SHIM (PAIR)	1
20814	REAR SKEWER MID-LEVEL	1

WARNING: The information contained herein is proprietary and confidential to Reynolds Cycling and Reynolds Cycling affiliates. This document is not intended for public distribution or disclosure. This document may be referenced and reproduced for and by Reynolds Cycling and Reynolds Cycling affiliates only.



AR41 X TUBELESS CLINCHER



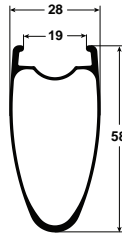
FREEHUB OPTIONS

20783	O-RING, GW DB END CAPS
22099	SPACER, GW, RED 17.5*15*2.1 mm
22129	END CAP, GW RB FRNT QR 9/100
22130	END CAP, GW RB REAR QR 9/130
22145	FREEHUB, GW SHIM 11 SPD
22146	FREEHUB, GW XD 11 SPD 4 PAWL
22496	FREEHUB, GW XDR 11SPD 4 PAWL
22159	AXLE, GW RB REAR 15/20/130
22160	AXLE, GW FRONT QR
22162	SPACER, GW REAR AXLE

78381	WS, AR41x TL RB SHIM 20/24	
78383	W, AR41x TL RB FRONT 20H	1
68383	D RIM, H/O AR41 TL RB 20H	1
20918	RIM TAPE, TL 22MM 5.5M INSTALLED	1
22105	HUB, GW RB FRNT 5/100 20H	1
21668	SPOKE, SPM CXSPNT SP 273MM BLK	20
20311	NIPPLE,EXT BLACK ALLOY SQ HEAD	20
20635	DECAL, BRAKE WEAR	1
20008	DECAL, REGISTER WHEELS	1
20332	WHEEL RAP HANG TAG	1
20119	BOX, TW DBLE WHL RNLD BOX 2016	0.5
78384	W, AR41x TL RB SHIMANO 24H	1
68384	D RIM, H/O AR41 TL RB 24H	1
20918	RIM TAPE, TL 22MM 5.5M INSTALLED	1
22106	HUB, GW RB SHIM 5/130 24H	1
21557	SPOKE, SPM CXSPNT SP 282MM BLK	12
21564	SPOKE, SPM CXSPNT SP 279MM BLK	12
20311	NIPPLE,EXT BLACK ALLOY SQ HEAD	24
20635	DECAL, BRAKE WEAR	1
20008	DECAL, REGISTER WHEELS	1
20332	WHEEL RAP HANG TAG	1
20119	BOX, TW DBLE WHL RNLD BOX 2016	0.5
85442	W ACC KIT, ASLT C RB TL F SHIM	1
3040	9 X 12 X 4MIL ZIP LOCK BAG	1
20333	REYNOLDS NEW PROD WEBSITE CARD	1
21012	VALVE STEM, TUBELESS 55MM LONG	1
21880	BRAKE PADS CRYO PWR SHIM (PAIR)	1
20813	FRONT SKEWER MID-LEVEL	1
85591	W ACC KIT, ASSAULT RB TL SHIM	1
3040	9 X 12 X 4MIL ZIP LOCK BAG	1
20333	REYNOLDS NEW PROD WEBSITE CARD	1
21012	VALVE STEM, TUBELESS 55MM LONG	1
21880	BRAKE PADS CRYO PWR SHIM (PAIR)	1
20814	REAR SKEWER MID-LEVEL	1

WARNING: The information contained herein is proprietary and confidential to Reynolds Cycling and Reynolds Cycling affiliates. This document is not intended for public distribution or disclosure. This document may be referenced and reproduced for and by Reynolds Cycling and Reynolds Cycling affiliates only.

AR58 TUBELESS CLINCHER



FREEHUB OPTIONS

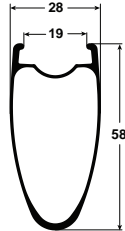
20783	O-RING, GW DB END CAPS
22099	SPACER, GW, RED 17.5*15*2.1 mm
22129	END CAP, GW RB FRNT QR 9/100
22130	END CAP, GW RB REAR QR 9/130
22145	FREEHUB, GW SHIM 11 SPD
22146	FREEHUB, GW XD 11 SPD 4 PAWL
22496	FREEHUB, GW XDR 11SPD 4 PAWL
22159	AXLE, GW RB REAR 15/20/130
22160	AXLE, GW FRONT QR
22162	SPACER, GW REAR AXLE
22162	SPACER, GW REAR AXLE
22163	SEAL, GW REAR HUB NDS

78431	WS, AR58 TL RB SHIM 20/24	
78433	W, AR58 TL RB FRONT 20H	1
58484	D RIM, AR58 TL RB 20H	1
20918	RIM TAPE, TL 22MM 5.5M INSTALLED	1
22105	HUB, GW RB FRNT 5/100 20H	1
22400	SPOKE, SPM SPRINT SP 255MM BLK	20
20355	NIPPLE,EXT BLACK BRASS SQ HEAD	20
22329	DECAL, AR58 RB	1
20635	DECAL, BRAKE WEAR	1
20008	DECAL, REGISTER WHEELS	1
20332	WHEEL RAP HANG TAG	1
20119	BOX, TW DBLE WHL RNLD BOX 2016	0.5
78434	W, AR58 TL RB SHIMANO 24H	1
58485	D RIM, AR58 TL RB 24H	1
20918	RIM TAPE, TL 22MM 5.5M INSTALED	1
22106	HUB, GW RB SHIM 5/130 24H	1
22392	SPOKE, SPM SPRINT SP 260MM BLK	12
22396	SPOKE, SPM SPRINT SP 264MM BLK	12
20355	NIPPLE,EXT BLACK BRASS SQ HEAD	24
22329	DECAL, AR58 RB	1
20635	DECAL, BRAKE WEAR	1
20008	DECAL, REGISTER WHEELS	1
20332	WHEEL RAP HANG TAG	1
20119	BOX, TW DBLE WHL RNLD BOX 2016	0.5
85416	W ACC KIT, STRIKE C RB TL F SHI	1
3040	9 X 12 X 4MIL ZIP LOCK BAG	1
20333	REYNOLDS NEW PROD WEBSITE CARD	1
21013	VALVE STEM, TUBELESS 75MM LONG	1
21880	BRAKE PADS CRYO PWR SHIM (PAIR)	1
20813	FRONT SKEWER MID-LEVEL	1
85593	W ACC KIT, STRIKE RB SHIM	1
3040	9 X 12 X 4MIL ZIP LOCK BAG	1
20333	REYNOLDS NEW PROD WEBSITE CARD	1
21013	VALVE STEM, TUBELESS 75MM LONG	1
21880	BRAKE PADS CRYO PWR SHIM (PAIR)	1
20814	REAR SKEWER MID-LEVEL	1

WARNING: The information contained herein is proprietary and confidential to Reynolds Cycling and Reynolds Cycling affiliates. This document is not intended for public distribution or disclosure. This document may be referenced and reproduced for and by Reynolds Cycling and Reynolds Cycling affiliates only.



AR58 X TUBELESS CLINCHER



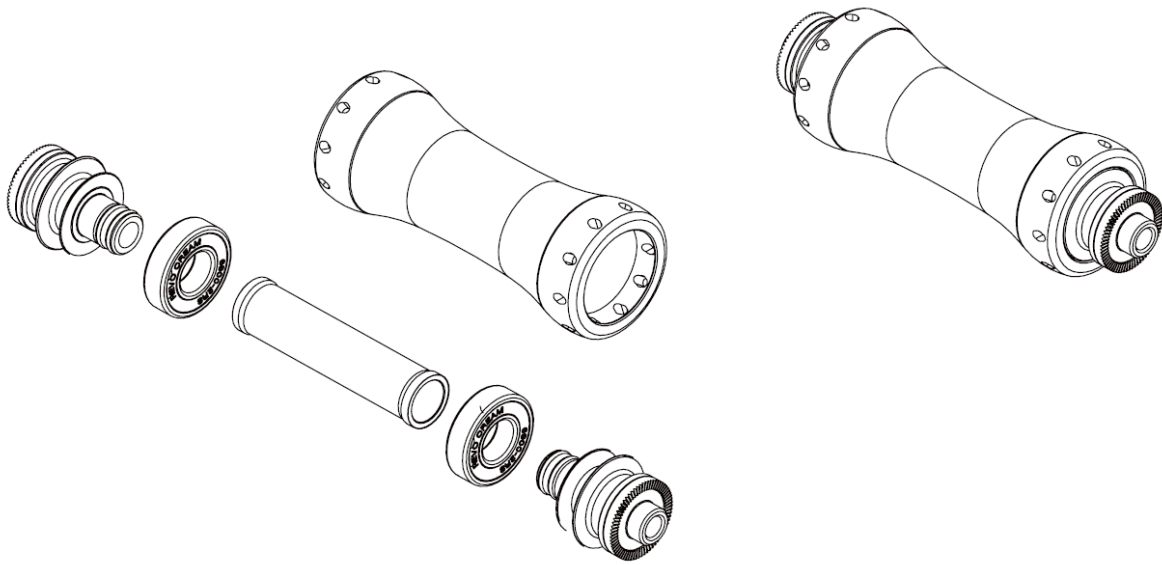
FREEHUB OPTIONS

20783	O-RING, GW DB END CAPS
22099	SPACER, GW, RED 17.5*15*2.1 mm
22129	END CAP, GW RB FRNT QR 9/100
22130	END CAP, GW RB REAR QR 9/130
22145	FREEHUB, GW SHIM 11 SPD
22146	FREEHUB, GW XD 11 SPD 4 PAWL
22496	FREEHUB, GW XDR 11SPD 4 PAWL
22159	AXLE, GW RB REAR 15/20/130
22160	AXLE, GW FRONT QR
22162	SPACER, GW REAR AXLE

78481	WS, AR58x TL RB SHIM 20/24	
78483	W, AR58x TL RB FRONT 20H	1
68484	D RIM, H/O AR58 TL RB 20H	1
20918	RIM TAPE, TL 22MM 5.5M INSTALLED	1
22105	HUB, GW RB FRNT 5/100 20H	1
21662	SPOKE, SPM CXSPNT SP 255MM BLK	20
20311	NIPPLE,EXT BLACK ALLOY SQ HEAD	24
20635	DECAL, BRAKE WEAR	1
20008	DECAL, REGISTER WHEELS	1
20332	WHEEL RAP HANG TAG	1
20119	BOX, TW DBLE WHL RNLD BOX 2016	0.5
78484	W, AR58x TL RB SHIMANO 24H	1
68485	D RIM, H/O AR58 TL RB 24H	1
20918	RIM TAPE, TL 22MM 5.5M INSTALLED	1
22106	HUB, GW RB SHIM 5/130 24H	1
21551	SPOKE, SPM CXSPNT SP 260MM BLK	12
21647	SPOKE, SPM CXSPNT SP 264MM BLK	12
20311	NIPPLE,EXT BLACK ALLOY SQ HEAD	24
20635	DECAL, BRAKE WEAR	1
20008	DECAL, REGISTER WHEELS	1
20332	WHEEL RAP HANG TAG	1
20119	BOX, TW DBLE WHL RNLD BOX 2016	0.5
85416	W ACC KIT, STRIKE C RB TL F SHI	1
3040	9 X 12 X 4MIL ZIP LOCK BAG	1
20333	REYNOLDS NEW PROD WEBSITE CARD	1
21013	VALVE STEM, TUBELESS 75MM LONG	1
21880	BRAKE PADS CRYO PWR SHIM (PAIR)	1
20813	FRONT SKEWER MID-LEVEL	1
85593	W ACC KIT, STRIKE RB SHIM	1
3040	9 X 12 X 4MIL ZIP LOCK BAG	1
20333	REYNOLDS NEW PROD WEBSITE CARD	1
21013	VALVE STEM, TUBELESS 75MM LONG	1
21880	BRAKE PADS CRYO PWR SHIM (PAIR)	1
20814	REAR SKEWER MID-LEVEL	1

WARNING: The information contained herein is proprietary and confidential to Reynolds Cycling and Reynolds Cycling affiliates. This document is not intended for public distribution or disclosure. This document may be referenced and reproduced for and by Reynolds Cycling and Reynolds Cycling affiliates only.

ALLROADS RIM BRAKE HUB



WARNING: The information contained herein is proprietary and confidential to Reynolds Cycling and Reynolds Cycling affiliates. This document is not intended for public distribution or disclosure. This document may be referenced and reproduced for and by Reynolds Cycling and Reynolds Cycling affiliates only.

HAYES

manitou

PROTAPER

REYNOLDS

SUN
ringle

WHEELS
WORKS

AR & ARX DISC BRAKE



AR29 & AR29 X DISC BRAKE



AR41 & AR41 X DISC BRAKE



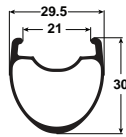
AR58 & AR58 X DISC BRAKE



AR58 650B & AR58 X 650B DISC BRAKE

WARNING: The information contained herein is proprietary and confidential to Reynolds Cycling and Reynolds Cycling affiliates. This document is not intended for public distribution or disclosure. This document may be referenced and reproduced for and by Reynolds Cycling and Reynolds Cycling affiliates only.

AR29 TUBELESS CLINCHER DB



FREEHUB OPTIONS

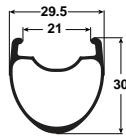
20783	O-RING, GW DB END CAPS
22099	SPACER, GW, RED 17.5*15*2.1 mm
22120	END CAP, GW DB FRNT 9MM QR
22121	END CAP, GW DB FRNT 12MM TA
22122	END CAP, GW DB FRNT 15MM TA
22126	END CAP, GW DB R 12/135 TA
22128	END CAP, GW DB R 12/142 TA
22145	FREEHUB, GW SHIM 11 SPD
22146	FREEHUB, GW XD 11 SPD 4 PAWL
22496	FREEHUB, GW XDR 11SPD 4 PAWL
22158	AXLE, FOR GW DB REAR 15/12/135
22161	AXLE, GW FRONT TA
22164	AXLE GW 148 BST 15/12/131 CrMo
22162	SPACER, GW REAR AXLE
22163	SEAL, GW REAR HUB NDS

78251	WS, AR29 TL DB SHIM 24/24	
78253	W, AR29 TL DB FRONT 24H	1
58274	D RIM, AR29 TL DB 24H EXT	1
20919	RIM TAPE, TL 25MM 5.5M INSTALED	1
22142	HUB, GW TR3 FRNT DB 12/100 24H	1
22429	SPOKE, SPM SPRINT SP 292MM BLK	12
22430	SPOKE, SPM SPRINT SP 293MM BLK	12
20355	NIPPLE, EXT BLACK BRASS SQ HEAD	24
22322	DECAL, AR29 DB	1
20007	DECAL, NOT INTENDED FOR RB USE	1
20008	DECAL, REGISTER WHEELS	1
20332	WHEEL RAP HANG TAG	1
20119	BOX, TW DBLE WHL RNLD BOX 2016	0.5
78254	W, AR29 TL DB SHIM 24H	1
58274	D RIM, AR29 TL DB 24H EXT	1
20919	RIM TAPE, TL 25MM 5.5M INSTALED	1
22143	HUB, GW TR3 SHIM DB 142/12 24H	1
22419	SPOKE, SPM SPRINT SP 290MM BLK	12
22431	SPOKE, SPM SPRINT SP 294MM BLK	12
20355	NIPPLE, EXT BLACK BRASS SQ HEAD	24
22322	DECAL, AR29 DB	1
20007	DECAL, NOT INTENDED FOR RB USE	1
20008	DECAL, REGISTER WHEELS	1
20332	WHEEL RAP HANG TAG	1
20119	BOX, TW DBLE WHL RNLD BOX 2016	0.5
85575	W ACC KIT, ATTACK C TL DB FRNT	1
3040	9 X 12 X 4MIL ZIP LOCK BAG	1
20333	REYNOLDS NEW PROD WEBSITE CARD	1
21011	VALVE STEM, TUBELESS 45MM LONG	1
21287	LOCK RING, CENTER LOCK	1
21289	ADAPTER, CL TO IS6-BOLT	1
22122	END CAP, GW DB FRNT 15MM TA	1
85576	W ACC KIT, ATTACK C TL DB REAR	1
3040	9 X 12 X 4MIL ZIP LOCK BAG	1
20333	REYNOLDS NEW PROD WEBSITE CARD	1
21011	VALVE STEM, TUBELESS 45MM LONG	1
21287	LOCK RING, CENTER LOCK	1
21289	ADAPTER, CL TO IS6-BOLT	1

WARNING: The information contained herein is proprietary and confidential to Reynolds Cycling and Reynolds Cycling affiliates. This document is not intended for public distribution or disclosure. This document may be referenced and reproduced for and by Reynolds Cycling and Reynolds Cycling affiliates only.



AR29 X TUBELESS CLINCHER DB



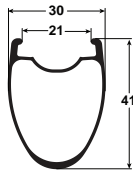
FREEHUB OPTIONS

20783	O-RING, GW DB END CAPS
22099	SPACER, GW, RED 17.5*15*2.1 mm
22120	END CAP, GW DB FRNT 9MM QR
22121	END CAP, GW DB FRNT 12MM TA
22122	END CAP, GW DB FRNT 15MM TA
22126	END CAP, GW DB R 12/135 TA
22128	END CAP, GW DB R 12/142 TA
22145	FREEHUB, GW SHIM 11 SPD
22146	FREEHUB, GW XD 11 SPD 4 PAWL
22496	FREEHUB, GW XDR 11SPD 4 PAWL
22158	AXLE, FOR GW DB REAR 15/12/135
22161	AXLE, GW FRONT TA
22164	AXLE GW 148 BST 15/12/131 CrMo
22162	SPACER, GW REAR AXLE
22163	SEAL, GW REAR HUB NDS

78271	WS, AR29x TL DB SHIM 24/24	
78273	W, AR29x TL DB FRONT 24H	1
68274	D RIM, H/O AR29 TL DB 24H	1
20919	RIM TAPE, TL 25MM 5.5M INSTALED	1
22112	HUB, GW FRONT DB 12MM 24H	1
21649	SPOKE, SPM CXSPNT SP 293MM BLK	24
20311	NIPPLE, EXT BLACK ALLOY SQ HEAD	24
20007	DECAL, NOT INTENDED FOR RB USE	1
20008	DECAL, REGISTER WHEELS	1
20332	WHEEL RAP HANG TAG	1
20119	BOX, TW DBLE WHL RNLD BOX 2016	0.5
78274	W, AR29x TL DB SHIM 24H	1
68274	D RIM, H/O AR29 TL DB 24H	1
20919	RIM TAPE, TL 25MM 5.5M INSTALED	1
22102	HUB, GW CL DB SHIM 12/142 24H	1
21665	SPOKE, SPM CXSPNT SP 290MM BLK	12
21671	SPOKE, SPM CXSPNT SP 294MM BLK	12
20311	NIPPLE, EXT BLACK ALLOY SQ HEAD	24
20007	DECAL, NOT INTENDED FOR RB USE	1
20008	DECAL, REGISTER WHEELS	1
20332	WHEEL RAP HANG TAG	1
20119	BOX, TW DBLE WHL RNLD BOX 2016	0.5
85575	W ACC KIT, ATTACK C TL DB FRNT	1
3040	9 X 12 X 4MIL ZIP LOCK BAG	1
20333	REYNOLDS NEW PROD WEBSITE CARD	1
21011	VALVE STEM, TUBELESS 45MM LONG	1
21287	LOCK RING, CENTER LOCK	1
21289	ADAPTER, CL TO IS6-BOLT	1
22122	END CAP, GW DB FRNT 15MM TA	1
85576	W ACC KIT, ATTACK C TL DB REAR	1
3040	9 X 12 X 4MIL ZIP LOCK BAG	1
20333	REYNOLDS NEW PROD WEBSITE CARD	1
21011	VALVE STEM, TUBELESS 45MM LONG	1
21287	LOCK RING, CENTER LOCK	1
21289	ADAPTER, CL TO IS6-BOLT	1

WARNING: The information contained herein is proprietary and confidential to Reynolds Cycling and Reynolds Cycling affiliates. This document is not intended for public distribution or disclosure. This document may be referenced and reproduced for and by Reynolds Cycling and Reynolds Cycling affiliates only.

AR41 TUBELESS CLINCHER DB



FREEHUB OPTIONS

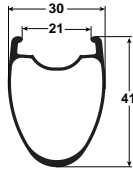
20783	O-RING, GW DB END CAPS
22099	SPACER, GW, RED 17.5*15*2.1 mm
22120	END CAP, GW DB FRNT 9MM QR
22121	END CAP, GW DB FRNT 12MM TA
22122	END CAP, GW DB FRNT 15MM TA
22126	END CAP, GW DB R 12/135 TA
22128	END CAP, GW DB R 12/142 TA
22145	FREEHUB, GW SHIM 11 SPD
22146	FREEHUB, GW XD 11 SPD 4 PAWL
22496	FREEHUB, GW XDR 11SPD 4 PAWL
22158	AXLE, FOR GW DB REAR 15/12/135
22161	AXLE, GW FRONT TA
22164	AXLE GW 148 BST 15/12/131 CrMo
22162	SPACER, GW REAR AXLE
22163	SEAL, GW REAR HUB NDS

78351	WS, AR41 TL DB SHIM 24/24	
78353	W, AR41 TL DB FRONT 24H	1
58364	D RIM, AR41 TL DB 24H EXT	1
20919	RIM TAPE, TL 25MM 5.5M INSTALED	1
22142	HUB, GW TR3 FRNT DB 12/100 24H	1
22415	SPOKE, SPM SPRINT SP 283MM BLK	24
20355	NIPPLE, EXT BLACK BRASS SQ HEAD	24
22324	DECAL, AR41 DB	1
20008	DECAL, REGISTER WHEELS	1
20007	DECAL, NOT INTENDED FOR RB USE	1
20332	WHEEL RAP HANG TAG	1
20119	BOX, TW DBLE WHL RNLD BOX 2016	0.5
78354	W, AR41 TL DB SHIM 24H	1
58364	D RIM, AR41 TL DB 24H EXT	1
20919	RIM TAPE, TL 25MM 5.5M INSTALED	1
22143	HUB, GW TR3 SHIM DB 142/12 24H	1
22411	SPOKE, SPM SPRINT SP 279MM BLK	12
22414	SPOKE, SPM SPRINT SP 282MM BLK	12
20355	NIPPLE, EXT BLACK BRASS SQ HEAD	24
22324	DECAL, AR41 DB	1
20008	DECAL, REGISTER WHEELS	1
20007	DECAL, NOT INTENDED FOR RB USE	1
20332	WHEEL RAP HANG TAG	1
20119	BOX, TW DBLE WHL RNLD BOX 2016	0.5
85577	W ACC KIT, ASLT/ATR C TL DB FR	1
3040	9 X 12 X 4MIL ZIP LOCK BAG	1
20333	REYNOLDS NEW PROD WEBSITE CARD	1
21012	VALVE STEM, TUBELESS 55MM LONG	1
21287	LOCK RING, CENTER LOCK	1
21289	ADAPTER, CL TO IS6-BOLT	1
22122	END CAP, GW DB FRNT 15MM TA	1
85578	W ACC KIT, ASLT/ATR C TL DB RE	1
3040	9 X 12 X 4MIL ZIP LOCK BAG	1
20333	REYNOLDS NEW PROD WEBSITE CARD	1
21012	VALVE STEM, TUBELESS 55MM LONG	1
21287	LOCK RING, CENTER LOCK	1
21289	ADAPTER, CL TO IS6-BOLT	1

WARNING: The information contained herein is proprietary and confidential to Reynolds Cycling and Reynolds Cycling affiliates. This document is not intended for public distribution or disclosure. This document may be referenced and reproduced for and by Reynolds Cycling and Reynolds Cycling affiliates only.



AR41 X TUBELESS CLINCHER DB



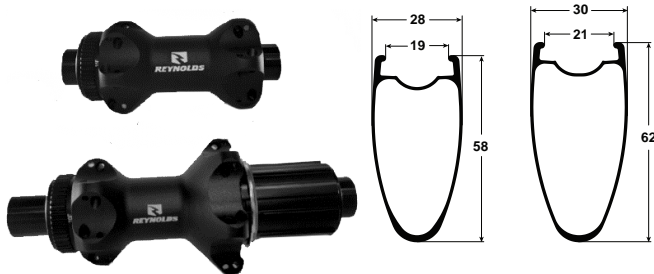
FREEHUB OPTIONS

20783	O-RING, GW DB END CAPS
22099	SPACER, GW, RED 17.5*15*2.1 mm
22120	END CAP, GW DB FRNT 9MM QR
22121	END CAP, GW DB FRNT 12MM TA
22122	END CAP, GW DB FRNT 15MM TA
22126	END CAP, GW DB R 12/135 TA
22128	END CAP, GW DB R 12/142 TA
22145	FREEHUB, GW SHIM 11 SPD
22146	FREEHUB, GW XD 11 SPD 4 PAWL
22496	FREEHUB, GW XDR 11SPD 4 PAWL
22158	AXLE, FOR GW DB REAR 15/12/135
22161	AXLE, GW FRONT TA
22164	AXLE GW 148 BST 15/12/131 CrMo
22162	SPACER, GW REAR AXLE
22163	SEAL, GW REAR HUB NDS

78361	WS, AR41x TL DB SHIM 24/24	
78363	W, AR41x TL DB FRONT 24H	1
68364	D RIM, H/O AR41 TL DB 24H	1
20919	RIM TAPE, TL 25MM 5.5M INSTALED	1
22112	HUB, GW FRONT DB 12MM 24H	1
21648	SPOKE, SPM CXSPNT SP 281MM BLK	24
20311	NIPPLE, EXT BLACK ALLOY SQ HEAD	24
20008	DECAL, REGISTER WHEELS	1
20007	DECAL, NOT INTENDED FOR RB USE	1
20332	WHEEL RAP HANG TAG	1
20119	BOX, TW DBLE WHL RNLD BOX 2016	0.5
78364	W, AR41x TL DB SHIM 24H	1
68364	D RIM, H/O AR41 TL DB 24H	1
20919	RIM TAPE, TL 25MM 5.5M INSTALED	1
22102	HUB, GW CL DB SHIM 12/142 24H	1
21564	SPOKE, SPM CXSPNT SP 279MM BLK	12
21661	SPOKE, SPM CXSPNT SP 283MM BLK	12
20311	NIPPLE, EXT BLACK ALLOY SQ HEAD	24
20008	DECAL, REGISTER WHEELS	1
20007	DECAL, NOT INTENDED FOR RB USE	1
20332	WHEEL RAP HANG TAG	1
20119	BOX, TW DBLE WHL RNLD BOX 2016	0.5
85577	W ACC KIT, ASLT/ATR C TL DB FR	1
3040	9 X 12 X 4MIL ZIP LOCK BAG	1
20333	REYNOLDS NEW PROD WEBSITE CARD	1
21012	VALVE STEM, TUBELESS 55MM LONG	1
21287	LOCK RING, CENTER LOCK	1
21289	ADAPTER, CL TO IS6-BOLT	1
22122	END CAP, GW DB FRNT 15MM TA	1
85578	W ACC KIT, ASLT/ATR C TL DB RE	1
3040	9 X 12 X 4MIL ZIP LOCK BAG	1
20333	REYNOLDS NEW PROD WEBSITE CARD	1
21012	VALVE STEM, TUBELESS 55MM LONG	1
21287	LOCK RING, CENTER LOCK	1
21289	ADAPTER, CL TO IS6-BOLT	1

WARNING: The information contained herein is proprietary and confidential to Reynolds Cycling and Reynolds Cycling affiliates. This document is not intended for public distribution or disclosure. This document may be referenced and reproduced for and by Reynolds Cycling and Reynolds Cycling affiliates only.

AR58/62 TUBELESS CLINCHER DB



FREEHUB OPTIONS

20783	O-RING, GW DB END CAPS
22099	SPACER, GW, RED 17.5*15*2.1 mm
22120	END CAP, GW DB FRNT 9MM QR
22121	END CAP, GW DB FRNT 12MM TA
22122	END CAP, GW DB FRNT 15MM TA
22126	END CAP, GW DB R 12/135 TA
22128	END CAP, GW DB R 12/142 TA
22145	FREEHUB, GW SHIM 11 SPD
22146	FREEHUB, GW XD 11 SPD 4 PAWL
22496	FREEHUB, GW XDR 11SPD 4 PAWL
22158	AXLE, FOR GW DB REAR 15/12/135
22161	AXLE, GW FRONT TA
22164	AXLE GW 148 BST 15/12/131 CrMo
22162	SPACER, GW REAR AXLE
22163	SEAL, GW REAR HUB NDS

78451	WS, 58/62 TL DB SHIM 24/24	
78453	W, AR58 TL DB FRONT 24H	1
58464	D RIM, AR58 TL DB 24H EXT	1
20918	RIM TAPE, TL 22MM 5.5M INSTALED	1
22142	HUB, GW TR3 FRNT DB 12/100 24H	1
22396	SPOKE, SPM SPRINT SP 264MM BLK	12
22397	SPOKE, SPM SPRINT SP 265MM BLK	12
20355	NIPPLE, EXT BLACK BRASS SQ HEAD	24
22327	DECAL, AR58 DB	1
20007	DECAL, NOT INTENDED FOR RB USE	1
20008	DECAL, REGISTER WHEELS	1
20332	WHEEL RAP HANG TAG	1
20119	BOX, TW DBLE WHL RNLD BOX 2016	0.5
78494	W, AR62 TL DB SHIM 24H	1
58474	D RIM, AR62 TL DB 24H EXT	1
20919	RIM TAPE, TL 25MM 5.5M INSTALED	1
22143	HUB, GW TR3 SHIM DB 142/12 24H	1
22391	SPOKE, SPM SPRINT SP 259MM BLK	12
22395	SPOKE, SPM SPRINT SP 263MM BLK	12
20355	NIPPLE, EXT BLACK BRASS SQ HEAD	24
22328	DECAL, AR62 DB	1
20007	DECAL, NOT INTENDED FOR RB USE	1
20008	DECAL, REGISTER WHEELS	1
20332	WHEEL RAP HANG TAG	1
20119	BOX, TW DBLE WHL RNLD BOX 2016	0.5
85579	W ACC KIT, STRIKE C TL DB FRNT	1
3040	9 X 12 X 4MIL ZIP LOCK BAG	1
20333	REYNOLDS NEW PROD WEBSITE CARD	1
21013	VALVE STEM, TUBELESS 75MM LONG	1
21287	LOCK RING, CENTER LOCK	1
21289	ADAPTER, CL TO IS6-BOLT	1
22122	END CAP, GW DB FRNT 15MM TA	1
85580	W ACC KIT, STRIKE C TL DB REAR	1
3040	9 X 12 X 4MIL ZIP LOCK BAG	1
20333	REYNOLDS NEW PROD WEBSITE CARD	1
21013	VALVE STEM, TUBELESS 75MM LONG	1
21287	LOCK RING, CENTER LOCK	1
21289	ADAPTER, CL TO IS6-BOLT	1

WARNING: The information contained herein is proprietary and confidential to Reynolds Cycling and Reynolds Cycling affiliates. This document is not intended for public distribution or disclosure. This document may be referenced and reproduced for and by Reynolds Cycling and Reynolds Cycling affiliates only.



AR58/62 X TUBELESS CLINCHER DB



FREEHUB OPTIONS

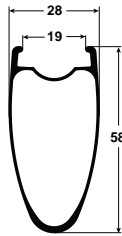
20783	O-RING, GW DB END CAPS
22099	SPACER, GW, RED 17.5*15*2.1 mm
22120	END CAP, GW DB FRNT 9MM QR
22121	END CAP, GW DB FRNT 12MM TA
22122	END CAP, GW DB FRNT 15MM TA
22126	END CAP, GW DB R 12/135 TA
22128	END CAP, GW DB R 12/142 TA
22145	FREEHUB, GW SHIM 11 SPD
22146	FREEHUB, GW XD 11 SPD 4 PAWL
22496	FREEHUB, GW XDR 11SPD 4 PAWL
22158	AXLE, FOR GW DB REAR 15/12/135
22161	AXLE, GW FRONT TA
22164	AXLE GW 148 BST 15/12/131 CrMo
22162	SPACER, GW REAR AXLE
22163	SEAL, GW REAR HUB NDS

78461	WS, 58/62x TL DB SHIM 24/24	
78463	W, AR58x TL DB FRONT 24H	1
68464	D RIM, HIO AR58 TL DB 24H	1
20918	RIM TAPE, TL 22MM 5.5M INSTALED	1
22112	HUB, GW FRONT DB 12MM 24H	1
21646	SPOKE, SPM CXSPNT SP 263MM BLK	12
21647	SPOKE, SPM CXSPNT SP 264MM BLK	12
20311	NIPPLE, EXT BLACK ALLOY SQ HEAD	24
20007	DECAL, NOT INTENDED FOR RB USE	1
20008	DECAL, REGISTER WHEELS	1
20332	WHEEL RAP HANG TAG	1
20119	BOX, TW DBLE WHL RNLD BOX 2016	0.5
78474	W, AR62x TL DB SHIM 24H	1
68474	D RIM, HIO AR62 TL DB 24H	1
20919	RIM TAPE, TL 25MM 5.5M INSTALED	1
22102	HUB, GW CL DB SHIM 12/142 24H	1
21644	SPOKE, SPM CXSPNT SP 259MM BLK	12
21646	SPOKE, SPM CXSPNT SP 263MM BLK	12
20311	NIPPLE, EXT BLACK ALLOY SQ HEAD	24
20007	DECAL, NOT INTENDED FOR RB USE	1
20008	DECAL, REGISTER WHEELS	1
20332	WHEEL RAP HANG TAG	1
20119	BOX, TW DBLE WHL RNLD BOX 2016	0.5
85579	W ACC KIT, STRIKE C TL DB FRNT	1
3040	9 X 12 X 4MIL ZIP LOCK BAG	1
20333	REYNOLDS NEW PROD WEBSITE CARD	1
21013	VALVE STEM, TUBELESS 75MM LONG	1
21287	LOCK RING, CENTER LOCK	1
21289	ADAPTER, CL TO IS6-BOLT	1
22122	END CAP, GW DB FRNT 15MM TA	1
85580	W ACC KIT, STRIKE C TL DB REAR	1
3040	9 X 12 X 4MIL ZIP LOCK BAG	1
20333	REYNOLDS NEW PROD WEBSITE CARD	1
21013	VALVE STEM, TUBELESS 75MM LONG	1
21287	LOCK RING, CENTER LOCK	1
21289	ADAPTER, CL TO IS6-BOLT	1

WARNING: The information contained herein is proprietary and confidential to Reynolds Cycling and Reynolds Cycling affiliates. This document is not intended for public distribution or disclosure. This document may be referenced and reproduced for and by Reynolds Cycling and Reynolds Cycling affiliates only.



AR58 650B TUBELESS CLINCHER DB



FREEHUB OPTIONS

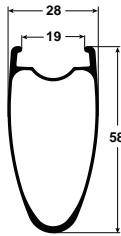
20783	O-RING, GW DB END CAPS
22099	SPACER, GW, RED 17.5*15*2.1 mm
22120	END CAP, GW DB FRNT 9MM QR
22121	END CAP, GW DB FRNT 12MM TA
22122	END CAP, GW DB FRNT 15MM TA
22126	END CAP, GW DB R 12/135 TA
22128	END CAP, GW DB R 12/142 TA
22145	FREEHUB, GW SHIM 11 SPD
22146	FREEHUB, GW XD 11 SPD 4 PAWL
22496	FREEHUB, GW XDR 11SPD 4 PAWL
22158	AXLE, FOR GW DB REAR 15/12/135
22161	AXLE, GW FRONT TA
22164	AXLE GW 148 BST 15/12/131 CrMo
22162	SPACER, GW REAR AXLE
22163	SEAL, GW REAR HUB NDS

78411	WS, AR58 650b DB SHIM 24/24	
78413	W, AR58 650b DB FRONT 24H	1
58444	D RIM, AR58 650b DB 24H	1
20918	RIM TAPE, TL 22MM 5.5M INSTALED	1
22142	HUB, GW TR3 FRNT DB 12/100 24H	1
22402	SPOKE, SPM SPRINT SP 246MM BLK	24
20355	NIPPLE, EXT BLACK BRASS SQ HEAD	24
22326	DECAL, AR58 650b DB	1
20007	DECAL, NOT INTENDED FOR RB USE	1
20008	DECAL, REGISTER WHEELS	1
20332	WHEEL RAP HANG TAG	1
20119	BOX, TW DBLE WHL RNLD BOX 2016	0.5
78414	W, AR58 650b DB SHIM 24H	1
58444	D RIM, AR58 650b DB 24H	1
20918	RIM TAPE, TL 22MM 5.5M INSTALED	1
22143	HUB, GW TR3 SHIM DB 142/12 24H	1
22386	SPOKE, SPM SPRINT SP 244MM BLK	12
22403	SPOKE, SPM SPRINT SP 247MM BLK	12
20355	NIPPLE, EXT BLACK BRASS SQ HEAD	24
22326	DECAL, AR58 650b DB	1
20007	DECAL, NOT INTENDED FOR RB USE	1
20008	DECAL, REGISTER WHEELS	1
20332	WHEEL RAP HANG TAG	1
20119	BOX, TW DBLE WHL RNLD BOX 2016	0.5
85579	W ACC KIT, STRIKE C TL DB FRNT	1
3040	9 X 12 X 4MIL ZIP LOCK BAG	1
20333	REYNOLDS NEW PROD WEBSITE CARD	1
21013	VALVE STEM, TUBELESS 75MM LONG	1
21287	LOCK RING, CENTER LOCK	1
21289	ADAPTER, CL TO IS6-BOLT	1
22122	END CAP, GW DB FRNT 15MM TA	1
85580	W ACC KIT, STRIKE C TL DB REAR	1
3040	9 X 12 X 4MIL ZIP LOCK BAG	1
20333	REYNOLDS NEW PROD WEBSITE CARD	1
21013	VALVE STEM, TUBELESS 75MM LONG	1
21287	LOCK RING, CENTER LOCK	1
21289	ADAPTER, CL TO IS6-BOLT	1

WARNING: The information contained herein is proprietary and confidential to Reynolds Cycling and Reynolds Cycling affiliates. This document is not intended for public distribution or disclosure. This document may be referenced and reproduced for and by Reynolds Cycling and Reynolds Cycling affiliates only.



AR58 X 650B TUBELESS CLINCHER DB



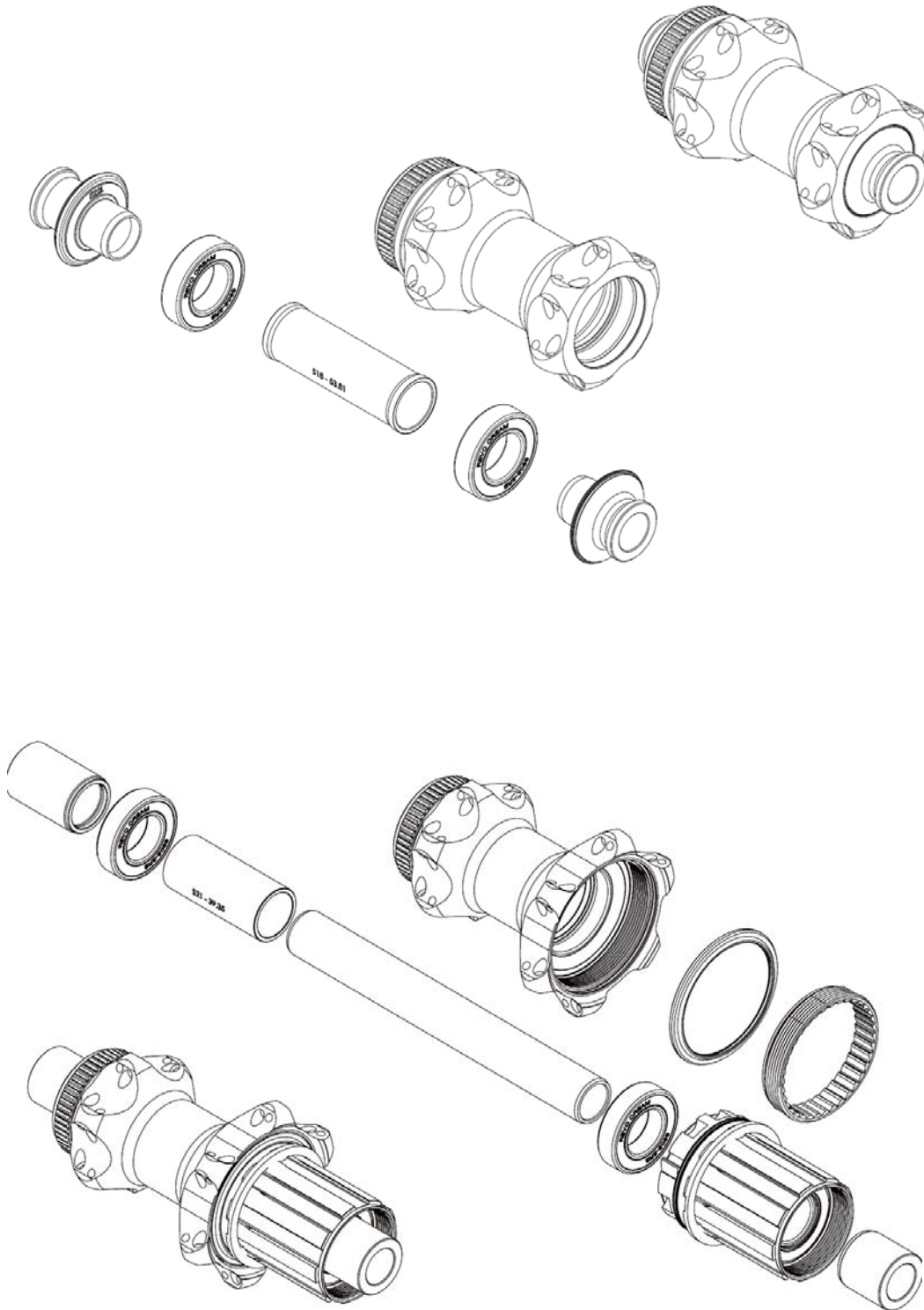
FREEHUB OPTIONS

20783	O-RING, GW DB END CAPS
22099	SPACER, GW, RED 17.5*15*2.1 mm
22120	END CAP, GW DB FRNT 9MM QR
22121	END CAP, GW DB FRNT 12MM TA
22122	END CAP, GW DB FRNT 15MM TA
22126	END CAP, GW DB R 12/135 TA
22128	END CAP, GW DB R 12/142 TA
22145	FREEHUB, GW SHIM 11 SPD
22146	FREEHUB, GW XD 11 SPD 4 PAWL
22496	FREEHUB, GW XDR 11SPD 4 PAWL
22158	AXLE, FOR GW DB REAR 15/12/135
22161	AXLE, GW FRONT TA
22164	AXLE GW 148 BST 15/12/131 CrMo
22162	SPACER, GW REAR AXLE
22163	SEAL, GW REAR HUB NDS

78441	WS, AR58x 650b DB SHIM 24/24	
78443	W, AR58x 650b DB FRONT 24H	1
68444	D RIM, H/O AR58 650b DB 24H	1
20918	RIM TAPE, TL 22MM 5.5M INSTALED	1
22112	HUB, GW FRONT DB 12MM 24H	1
21669	SPOKE, SPM CXSPNT SP 246MM BLK	24
20311	NIPPLE, EXT BLACK ALLOY SQ HEAD	24
20007	DECAL, NOT INTENDED FOR RB USE	1
20008	DECAL, REGISTER WHEELS	1
20332	WHEEL RAP HANG TAG	1
20119	BOX, TW DBLE WHL RNLD BOX 2016	0.5
78444	W, AR58x 650b DB SHIM 24H	1
68444	D RIM, H/O AR58 650b DB 24H	1
20918	RIM TAPE, TL 22MM 5.5M INSTALED	1
22102	HUB, GW CL DB SHIM 12/142 24H	1
21549	SPOKE, SPM CXSPNT SP 244MM BLK	12
21670	SPOKE, SPM CXSPNT SP 248MM BLK	12
20311	NIPPLE, EXT BLACK ALLOY SQ HEAD	24
20007	DECAL, NOT INTENDED FOR RB USE	1
20008	DECAL, REGISTER WHEELS	1
20332	WHEEL RAP HANG TAG	1
20119	BOX, TW DBLE WHL RNLD BOX 2016	0.5
85579	W ACC KIT, STRIKE C TL DB FRNT	1
3040	9 X 12 X 4MIL ZIP LOCK BAG	1
20333	REYNOLDS NEW PROD WEBSITE CARD	1
21013	VALVE STEM, TUBELESS 75MM LONG	1
21287	LOCK RING, CENTER LOCK	1
21289	ADAPTER, CL TO IS6-BOLT	1
22122	END CAP, GW DB FRNT 15MM TA	1
85580	W ACC KIT, STRIKE C TL DB REAR	1
3040	9 X 12 X 4MIL ZIP LOCK BAG	1
20333	REYNOLDS NEW PROD WEBSITE CARD	1
21013	VALVE STEM, TUBELESS 75MM LONG	1
21287	LOCK RING, CENTER LOCK	1
21289	ADAPTER, CL TO IS6-BOLT	1

WARNING: The information contained herein is proprietary and confidential to Reynolds Cycling and Reynolds Cycling affiliates. This document is not intended for public distribution or disclosure. This document may be referenced and reproduced for and by Reynolds Cycling and Reynolds Cycling affiliates only.

ALLROADS DISC BRAKE HUB



WARNING: The information contained herein is proprietary and confidential to Reynolds Cycling and Reynolds Cycling affiliates. This document is not intended for public distribution or disclosure. This document may be referenced and reproduced for and by Reynolds Cycling and Reynolds Cycling affiliates only.



ATR & ATR X BLACKLABEL DISC BRAKE



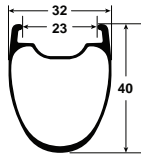
ATR & ATR X GRAVEL DISC BRAKE



ATR 650B & ATR X 650B GRAVEL DISC BRAKE

WARNING: The information contained herein is proprietary and confidential to Reynolds Cycling and Reynolds Cycling affiliates. This document is not intended for public distribution or disclosure. This document may be referenced and reproduced for and by Reynolds Cycling and Reynolds Cycling affiliates only.

ATR 700C



FREEHUB OPTIONS

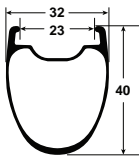
20783	O-RING, GW DB END CAPS
22099	SPACER, GW, RED 17.5*15*2.1 mm
22120	END CAP, GW DB FRNT 9MM QR
22121	END CAP, GW DB FRNT 12MM TA
22122	END CAP, GW DB FRNT 15MM TA
22126	END CAP, GW DB R 12/135 TA
22128	END CAP, GW DB R 12/142 TA
22145	FREEHUB, GW SHIM 11 SPD
22146	FREEHUB, GW XD 11 SPD 4 PAWL
22496	FREEHUB, GW XDR 11SPD 4 PAWL
22158	AXLE, FOR GW DB REAR 15/12/135
22161	AXLE, GW FRONT TA
22164	AXLE GW 148 BST 15/12/131 CrMo
22162	SPACER, GW REAR AXLE
22163	SEAL, GW REAR HUB NDS

78221	WS, ATR TL DB SHIM 24/24	
78223	W, ATR TL DB FRONT 24H	1
57324	D RIM, ATR TL DB 24H	1
20919	RIM TAPE, TL 25MM 5.5M INSTALED	1
22142	HUB, GW TR3 FRNT DB 12/100 24H	1
22414	SPOKE, SPM SPRINT SP 282MM BLK	24
20355	NIPPLE, EXT BLACK BRASS SQ HEAD	24
22320	DECAL, ATR DB 2018	1
20008	DECAL, REGISTER WHEELS	1
20007	DECAL, NOT INTENDED FOR RB USE	1
20332	WHEEL RAP HANG TAG	1
20119	BOX, TW DBLE WHL RNLD BOX	0.5
78224	W, ATR TL DB SHIM 24H	1
57324	D RIM, ATR TL DB 24H	1
20919	RIM TAPE, TL 25MM 5.5M INSTALED	1
22143	HUB, GW TR3 SHIM DB 142/12 24H	1
22412	SPOKE, SPM SPRINT SP 280MM BLK	12
22415	SPOKE, SPM SPRINT SP 283MM BLK	12
20355	NIPPLE, EXT BLACK BRASS SQ HEAD	24
22320	DECAL, ATR DB 2018	1
20008	DECAL, REGISTER WHEELS	1
20007	DECAL, NOT INTENDED FOR RB USE	1
20332	WHEEL RAP HANG TAG	1
20119	BOX, TW DBLE WHL RNLD BOX	0.5
85577	W ACC KIT, ASLT/ATR C TL DB FR	1
3040	9 X 12 X 4MIL ZIP LOCK BAG	1
20333	REYNOLDS NEW PROD WEBSITE CARD	1
21012	VALVE STEM, TUBELESS 55MM LONG	1
21287	LOCK RING, CENTER LOCK	1
21289	ADAPTER, CL TO IS6-BOLT	1
22122	END CAP, GW DB FRNT 15MM TA	1
85578	W ACC KIT, ASLT/ATR C TL DB RE	1
3040	9 X 12 X 4MIL ZIP LOCK BAG	1
20333	REYNOLDS NEW PROD WEBSITE CARD	1
21012	VALVE STEM, TUBELESS 55MM LONG	1
21287	LOCK RING, CENTER LOCK	1
21289	ADAPTER, CL TO IS6-BOLT	1

WARNING: The information contained herein is proprietary and confidential to Reynolds Cycling and Reynolds Cycling affiliates. This document is not intended for public distribution or disclosure. This document may be referenced and reproduced for and by Reynolds Cycling and Reynolds Cycling affiliates only.



ATR 650B



FREEHUB OPTIONS

20783	O-RING, GW DB END CAPS
22099	SPACER, GW, RED 17.5*15*2.1 mm
22120	END CAP, GW DB FRNT 9MM QR
22121	END CAP, GW DB FRNT 12MM TA
22122	END CAP, GW DB FRNT 15MM TA
22126	END CAP, GW DB R 12/135 TA
22128	END CAP, GW DB R 12/142 TA
22145	FREEHUB, GW SHIM 11 SPD
22146	FREEHUB, GW XD 11 SPD 4 PAWL
22496	FREEHUB, GW XDR 11SPD 4 PAWL
22158	AXLE, FOR GW DB REAR 15/12/135
22161	AXLE, GW FRONT TA
22164	AXLE GW 148 BST 15/12/131 CrMo
22162	SPACER, GW REAR AXLE
22163	SEAL, GW REAR HUB NDS

78211	WS, ATR 650b TL DB SHIM 24/24	
78213	W, ATR 650b TL DB FRONT 24H	1
57314	D RIM, ATR 650b TL DB 24H	1
20919	RIM TAPE, TL 25MM 5.5M INSTALED	1
22142	HUB, GW TR3 FRNT DB 12/100 24H	1
22394	SPOKE, SPM SPRINT SP 262MM BLK	24
20355	NIPPLE, EXT BLACK BRASS SQ HEAD	24
22320	DECAL, ATR DB 2018	1
20008	DECAL, REGISTER WHEELS	1
20007	DECAL, NOT INTENDED FOR RB USE	1
20332	WHEEL RAP HANG TAG	1
20119	BOX, TW DBLE WHL RNLD BOX	0.5
78214	W, ATR 650b TL DB SHIM 24H	1
57314	D RIM, ATR 650b TL DB 24H	1
20919	RIM TAPE, TL 25MM 5.5M INSTALED	1
22143	HUB, GW TR3 SHIM DB 142/12 24H	1
22392	SPOKE, SPM SPRINT SP 260MM BLK	12
22396	SPOKE, SPM SPRINT SP 264MM BLK	12
20355	NIPPLE, EXT BLACK BRASS SQ HEAD	24
22320	DECAL, ATR DB 2018	1
20008	DECAL, REGISTER WHEELS	1
20007	DECAL, NOT INTENDED FOR RB USE	1
20332	WHEEL RAP HANG TAG	1
20119	BOX, TW DBLE WHL RNLD BOX	0.5
85577	W ACC KIT, ASLT/ATR C TL DB FR	1
3040	9 X 12 X 4MIL ZIP LOCK BAG	1
20333	REYNOLDS NEW PROD WEBSITE CARD	1
21012	VALVE STEM, TUBELESS 55MM LONG	1
21287	LOCK RING, CENTER LOCK	1
21289	ADAPTER, CL TO IS6-BOLT	1
22122	END CAP, GW DB FRNT 15MM TA	1
85578	W ACC KIT, ASLT/ATR C TL DB RE	1
3040	9 X 12 X 4MIL ZIP LOCK BAG	1
20333	REYNOLDS NEW PROD WEBSITE CARD	1
21012	VALVE STEM, TUBELESS 55MM LONG	1
21287	LOCK RING, CENTER LOCK	1
21289	ADAPTER, CL TO IS6-BOLT	1

WARNING: The information contained herein is proprietary and confidential to Reynolds Cycling and Reynolds Cycling affiliates. This document is not intended for public distribution or disclosure. This document may be referenced and reproduced for and by Reynolds Cycling and Reynolds Cycling affiliates only.

ATR X 700C



FREEHUB OPTIONS

20783	O-RING, GW DB END CAPS
22099	SPACER, GW, RED 17.5*15*2.1 mm
22120	END CAP, GW DB FRNT 9MM QR
22121	END CAP, GW DB FRNT 12MM TA
22122	END CAP, GW DB FRNT 15MM TA
22126	END CAP, GW DB R 12/135 TA
22128	END CAP, GW DB R 12/142 TA
22145	FREEHUB, GW SHIM 11 SPD
22146	FREEHUB, GW XD 11 SPD 4 PAWL
22496	FREEHUB, GW XDR 11SPD 4 PAWL
22158	AXLE, FOR GW DB REAR 15/12/135
22161	AXLE, GW FRONT TA
22164	AXLE GW 148 BST 15/12/131 CrMo
22162	SPACER, GW REAR AXLE
22163	SEAL, GW REAR HUB NDS

77321	WS, ATRx TL DB SHIM 24/24	
77323	W, ATRx TL DB FRONT 24H	1
67324	D RIM, H/O ATR TL DB 24H	1
20919	RIM TAPE, TL 25MM 5.5M INSTALED	1
22112	HUB, GW FRONT DB 12MM 24H	1
21626	SPOKE, SPM RACE 282MM SP BLK	24
20311	NIPPLE, EXT BLACK ALLOY SQ HEAD	24
20008	DECAL, REGISTER WHEELS	1
20007	DECAL, NOT INTENDED FOR RB USE	1
20332	WHEEL RAP HANG TAG	1
20119	BOX, TW DBLE WHL RNLD BOX	0.5
77324	W, ATRx TL DB SHIM 24H	1
67324	D RIM, H/O ATR TL DB 24H	1
20919	RIM TAPE, TL 25MM 5.5M INSTALED	1
22102	HUB, GW CL DB SHIM 12/142 24H	1
21624	SPOKE, SPM RACE 280MM SP BLK	12
21627	SPOKE, SPM RACE SP 283MM BLK	12
20311	NIPPLE, EXT BLACK ALLOY SQ HEAD	24
20008	DECAL, REGISTER WHEELS	1
20007	DECAL, NOT INTENDED FOR RB USE	1
20332	WHEEL RAP HANG TAG	1
20119	BOX, TW DBLE WHL RNLD BOX	0.5
85577	W ACC KIT, ASLT/ATR C TL DB FR	1
3040	9 X 12 X 4MIL ZIP LOCK BAG	1
20333	REYNOLDS NEW PROD WEBSITE CARD	1
21012	VALVE STEM, TUBELESS 55MM LONG	1
21287	LOCK RING, CENTER LOCK	1
21289	ADAPTER, CL TO IS6-BOLT	1
22122	END CAP, GW DB FRNT 15MM TA	1
85578	W ACC KIT, ASLT/ATR C TL DB RE	1
3040	9 X 12 X 4MIL ZIP LOCK BAG	1
20333	REYNOLDS NEW PROD WEBSITE CARD	1
21012	VALVE STEM, TUBELESS 55MM LONG	1
21287	LOCK RING, CENTER LOCK	1
21289	ADAPTER, CL TO IS6-BOLT	1

WARNING: The information contained herein is proprietary and confidential to Reynolds Cycling and Reynolds Cycling affiliates. This document is not intended for public distribution or disclosure. This document may be referenced and reproduced for and by Reynolds Cycling and Reynolds Cycling affiliates only.



ATR X 650B



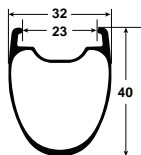
FREEHUB OPTIONS

20783	O-RING, GW DB END CAPS
22099	SPACER, GW, RED 17.5*15*2.1 mm
22120	END CAP, GW DB FRNT 9MM QR
22121	END CAP, GW DB FRNT 12MM TA
22122	END CAP, GW DB FRNT 15MM TA
22126	END CAP, GW DB R 12/135 TA
22128	END CAP, GW DB R 12/142 TA
22145	FREEHUB, GW SHIM 11 SPD
22146	FREEHUB, GW XD 11 SPD 4 PAWL
22496	FREEHUB, GW XDR 11SPD 4 PAWL
22158	AXLE, FOR GW DB REAR 15/12/135
22161	AXLE, GW FRONT TA
22164	AXLE GW 148 BST 15/12/131 CrMo
22162	SPACER, GW REAR AXLE
22163	SEAL, GW REAR HUB NDS

77311	WS, ATRx 650b TL DB SHIM 24/24	
77313	W, ATRx 650b TL DB FRONT 24H	1
67314	D RIM, H/O ATR 650b TL DB 24	1
20919	RIM TAPE, TL 25MM 5.5M INSTALED	1
22112	HUB, GW FRONT DB 12MM 24H	1
21611	SPOKE, SPM RACE SP 262MM BLK	24
20311	NIPPLE, EXT BLACK ALLOY SQ HEAD	24
20008	DECAL, REGISTER WHEELS	1
20007	DECAL, NOT INTENDED FOR RB USE	1
20332	WHEEL RAP HANG TAG	1
20119	BOX, TW DBLE WHL RNLD BOX	0.5
77314	W, ATRx 650b TL DB SHIM 24H	1
67314	D RIM, H/O ATR 650b TL DB 24	1
20919	RIM TAPE, TL 25MM 5.5M INSTALED	1
22102	HUB, GW CL DB SHIM 12/142 24H	1
21610	SPOKE, SPM RACE SP 260MM BLK	12
21613	SPOKE, SPM RACE SP 264MM BLK	12
20311	NIPPLE, EXT BLACK ALLOY SQ HEAD	24
20008	DECAL, REGISTER WHEELS	1
20007	DECAL, NOT INTENDED FOR RB USE	1
20332	WHEEL RAP HANG TAG	1
20119	BOX, TW DBLE WHL RNLD BOX	0.5
85577	W ACC KIT, ASLT/ATR C TL DB FR	1
3040	9 X 12 X 4MIL ZIP LOCK BAG	1
20333	REYNOLDS NEW PROD WEBSITE CARD	1
21012	VALVE STEM, TUBELESS 55MM LONG	1
21287	LOCK RING, CENTER LOCK	1
21289	ADAPTER, CL TO IS6-BOLT	1
22122	END CAP, GW DB FRNT 15MM TA	1
85578	W ACC KIT, ASLT/ATR C TL DB RE	1
3040	9 X 12 X 4MIL ZIP LOCK BAG	1
20333	REYNOLDS NEW PROD WEBSITE CARD	1
21012	VALVE STEM, TUBELESS 55MM LONG	1
21287	LOCK RING, CENTER LOCK	1
21289	ADAPTER, CL TO IS6-BOLT	1

WARNING: The information contained herein is proprietary and confidential to Reynolds Cycling and Reynolds Cycling affiliates. This document is not intended for public distribution or disclosure. This document may be referenced and reproduced for and by Reynolds Cycling and Reynolds Cycling affiliates only.

BLACKLABEL ATR 700C



78241	WS, BL ATR 700c DB TL SHIM 20/	
78243	W, BL ATR 700c DB TL FRNT 20H	1.00
67323	D RIM, BL ATR 700c H2O 20H	1.00
20311	NIPPLE,EXT BLACK ALLOY SQ HEAD	20.00
20332	WHEEL RAP HANG TAG	1.00
20919	RIM TAPE,TL 25MM 5.5M INSTALED	1.00
21532	SPOKE, SPM CX-RAY SP 288MM BLK	10.00
21768	SPOKE, SPM CX-RAY SP 287MM BLK	10.00
21860	HUB, i9 DB CL 12MM FRONT 20H	1.00
85581	W ACC KIT, 46 AERO TL DB FRNT	1.00
78244	W, BL ATR 700c DB TL SHIM 24H	1.00
67325	D RIM, BL ATR 700c H2O 24H	1.00
20311	NIPPLE,EXT BLACK ALLOY SQ HEAD	24.00
20332	WHEEL RAP HANG TAG	1.00
20919	RIM TAPE,TL 25MM 5.5M INSTALED	1.00
21593	SPOKE, SPM CX-RAY SP 280MM BLK	12.00
21596	SPOKE, SPM CX-RAY SP 283MM BLK	12.00
21861	HUB, i9 DB CL 142/12 SHIM 24H	1.00
85582	W ACC KIT, 46 AERO TL DB REAR	1.00
78242	WS, BL ATR 700c DB TL XD 20/24	
78243	W, BL ATR 700c DB TL FRNT 20H	1.00
78245	W, BL ATR 700c DB TL XD 24H	1.00
67325	D RIM, BL ATR 700c H2O 24H	1.00
20311	NIPPLE,EXT BLACK ALLOY SQ HEAD	24.00
20919	RIM TAPE,TL 25MM 5.5M INSTALED	1.00
21593	SPOKE, SPM CX-RAY SP 280MM BLK	12.00
21596	SPOKE, SPM CX-RAY SP 283MM BLK	12.00
21866	HUB, i9 DB CL 142/12 XD 24H	1.00
85582	W ACC KIT, 46 AERO TL DB REAR	1.00

WARNING: The information contained herein is proprietary and confidential to Reynolds Cycling and Reynolds Cycling affiliates. This document is not intended for public distribution or disclosure. This document may be referenced and reproduced for and by Reynolds Cycling and Reynolds Cycling affiliates only.

HAYES

manitou

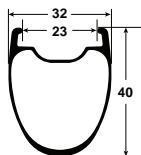
PROTAPER

REYNOLDS

SUN
ringle

WHEELS
POCKET

BLACKLABEL ATR 650B



78236	WS, BL ATR 650b DB TL SHIM 20/	
78238	W, BL ATR 650b DB TL FRNT 20H	1.00
67313	D RIM, BL ATR 650b H2O 20H	1.00
20311	NIPPLE,EXT BLACK ALLOY SQ HEAD	20.00
20332	WHEEL RAP HANG TAG	1.00
20919	RIM TAPE,TL 25MM 5.5M INSTALED	1.00
21589	SPOKE, SPM CX-RAY SP 268MM BLK	10.00
21590	SPOKE, SPM CX-RAY SP 269MM BLK	10.00
21860	HUB, i9 DB CL 12MM FRONT 20H	1.00
85581	W ACC KIT, 46 AERO TL DB FRNT	1.00
78239	W, BL ATR 650b DB TL SHIM 24H	1.00
67315	D RIM, BL ATR 650b H2O 24H	1.00
20311	NIPPLE,EXT BLACK ALLOY SQ HEAD	24.00
20332	WHEEL RAP HANG TAG	1.00
20919	RIM TAPE,TL 25MM 5.5M INSTALED	1.00
21575	SPOKE, SPM CX-RAY SP 260MM BLK	12.00
21763	SPOKE, SPM CX-RAY SP 264MM BLK	12.00
21861	HUB, i9 DB CL 142/12 SHIM 24H	1.00
85582	W ACC KIT, 46 AERO TL DB REAR	1.00
78237	WS, BL ATR 650b DB TL XD 20/24	
78238	W, BL ATR 650b DB TL FRNT 20H	1.00
78240	W, BL ATR 650b DB TL XD 24H	1.00
67315	D RIM, BL ATR 650b H2O 24H	1.00
20311	NIPPLE,EXT BLACK ALLOY SQ HEAD	24.00
20332	WHEEL RAP HANG TAG	1.00
20919	RIM TAPE,TL 25MM 5.5M INSTALED	1.00
21575	SPOKE, SPM CX-RAY SP 260MM BLK	12.00
21763	SPOKE, SPM CX-RAY SP 264MM BLK	12.00
21866	HUB, i9 DB CL 142/12 XD 24H	1.00
85582	W ACC KIT, 46 AERO TL DB REAR	1.00

WARNING: The information contained herein is proprietary and confidential to Reynolds Cycling and Reynolds Cycling affiliates. This document is not intended for public distribution or disclosure. This document may be referenced and reproduced for and by Reynolds Cycling and Reynolds Cycling affiliates only.

HAYES

manitou

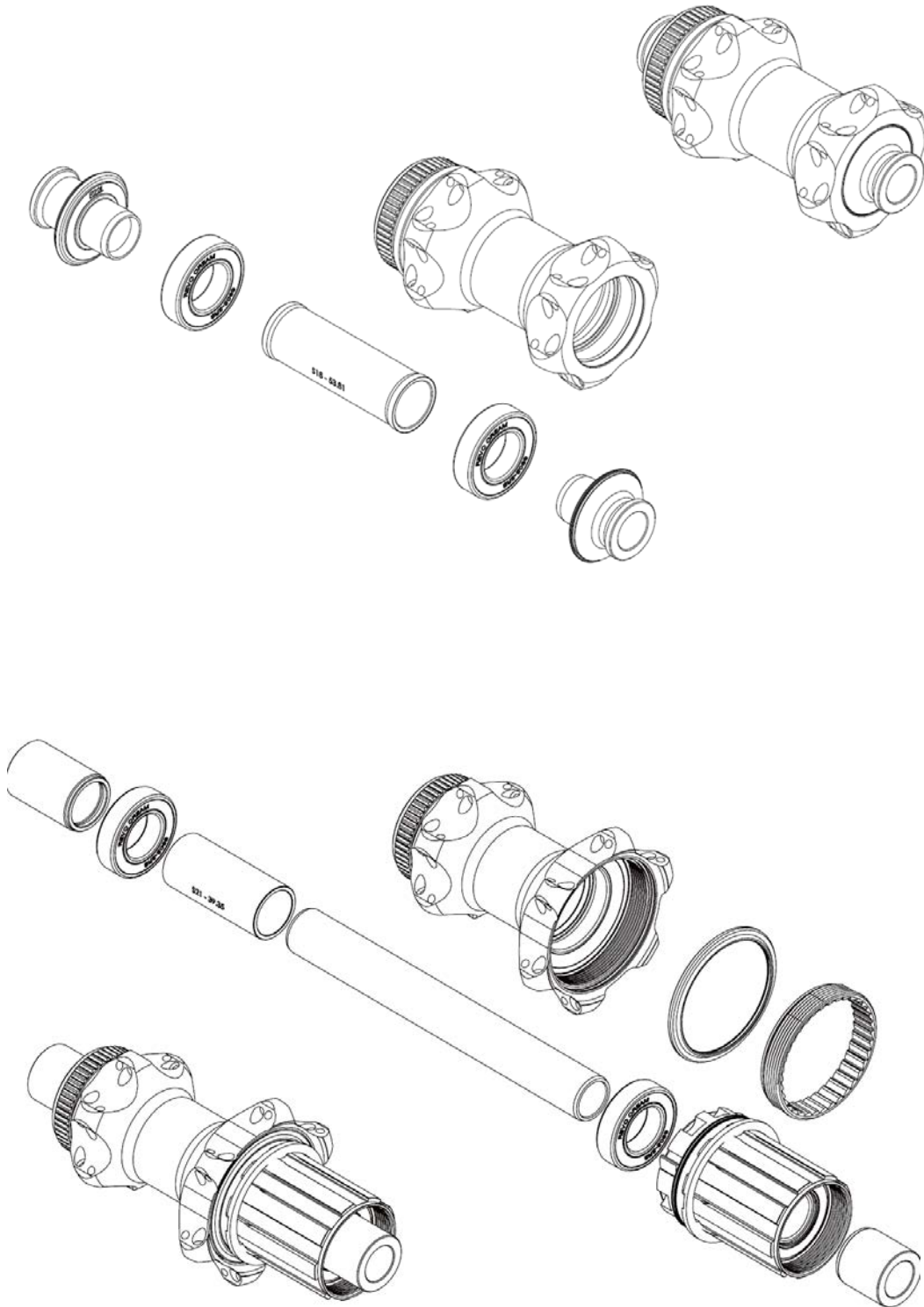
PRO TAPE

REYNOLDS

SUN
ringle

W
WHEELS

ATR DISC BRAKE HUB



WARNING: The information contained herein is proprietary and confidential to Reynolds Cycling and Reynolds Cycling affiliates. This document is not intended for public distribution or disclosure. This document may be referenced and reproduced for and by Reynolds Cycling and Reynolds Cycling affiliates only.

HAYES

manitou

PROTAPER

REYNOLDS

SUN
ringle

WHEELS
W
PROTECT

BLACKLABEL MOUNTAIN WHEELS



BLACKLABEL 259



BLACKLABEL 287



BLACKLABEL 289



BLACKLABEL 347



BLACKLABEL 349



BLACKLABEL 407



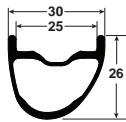
BLACKLABEL DH 287



BLACKLABEL DH 289

WARNING: The information contained herein is proprietary and confidential to Reynolds Cycling and Reynolds Cycling affiliates. This document is not intended for public distribution or disclosure. This document may be referenced and reproduced for and by Reynolds Cycling and Reynolds Cycling affiliates only.

BLACKLABEL 259



FREEHUB OPTIONS

21844	FREEHUB, i9 SHIM 10SP COMPLETE
21845	FREEHUB, i9 XD 11SP COMPLETE
21840	END CAP, i9 FRONT 15mm TA
21841	END CAP, i9 REAR MTN 12mm TA
21842	END CAP, i9 FRT QR CL
21843	END CAP i9, REAR CL QR
21848	AXLE, i9 MTN FRT CL 100mm HUB
21849	AXLE, i9 MTN FRT CL 110mm HUB
21850	AXLE, i9 MTN REAR CL12x142 HUB
21851	AXLE, i9 MTN REAR CL12x148 HUB
20165	BEARING, ENDURO 18307 ABEC 5
20166	BEARING, ENDURO 31803 ABEC 5
20167	BEARING, ENDURO 61803 ABEC 5
20168	BEARING, ENDURO 61903 ABEC 5

79566	WS, 29 BL259 ASYM BST SPL24/28	
79568	W, 29 BL259 ASYM BST FRNT 24H	1
20311	NIPPLE,EXT BLACK ALLOY SQ HEAD	24
20920	RIM TAPE,TL 28MM 5.5M INSTALED	1
21600	SPOKE, SPM CX-RAY SP 297MM BLK	12
21745	SPOKE, SPM CX-RAY SP 295MM BLK	12
22545	HUB, i9 HDMTN SPCL 24H110X15TA	1
22219	DECAL, HiO 29ER XC 2017	1
57563	D RIM, 29ER XC BL ASYM 24H	1
85513	W ACC KIT, MTN ASYM TL FRONT	1
79569	W, 29 BL259 ASYM 148 SPL 28H	1
20311	NIPPLE,EXT BLACK ALLOY SQ HEAD	28
20920	RIM TAPE,TL 28MM 5.5M INSTALED	1
21602	SPOKE, SPM CX-RAY SP 300MM BLK	28
22524	HUB,i9 HDMTN SP CLSPL28H148X12	1
22219	DECAL, HiO 29ER XC 2017	1
57564	D RIM, 29ER XC BL ASYM 28H	1
85514	W ACC KIT, MTN ASYM TL REAR	1
79567	WS, 29 BL259 ASYM BST XD 24/28	
79568	W, 29 BL259 ASYM BST FRNT 24H	1
79570	W, 29 BL259 ASYM BST XD 28H	1
20311	NIPPLE,EXT BLACK ALLOY SQ HEAD	28
20920	RIM TAPE,TL 28MM 5.5M INSTALED	1
21602	SPOKE, SPM CX-RAY SP 300MM BLK	28
22525	HUB,i9 HDMTN SP CLXD28H148X12	1
22219	DECAL, HiO 29ER XC 2017	1
57564	D RIM, 29ER XC BL ASYM 28H	1
85514	W ACC KIT, MTN ASYM TL REAR	1

WARNING: The information contained herein is proprietary and confidential to Reynolds Cycling and Reynolds Cycling affiliates. This document is not intended for public distribution or disclosure. This document may be referenced and reproduced for and by Reynolds Cycling and Reynolds Cycling affiliates only.



BLACKLABEL 287



FREEHUB OPTIONS

21844	FREEHUB, i9 SHIM 10SP COMPLETE
21845	FREEHUB, i9 XD 11SP COMPLETE
21840	END CAP, i9 FRONT 15mm TA
21841	END CAP, i9 REAR MTN 12mm TA
21842	END CAP, i9 FRT QR CL
21843	END CAP i9, REAR CL QR
21848	AXLE, i9 MTN FRT CL 100mm HUB
21849	AXLE, i9 MTN FRT CL 110mm HUB
21850	AXLE, i9 MTN REAR CL12x142 HUB
21851	AXLE, i9 MTN REAR CL12x148 HUB
20165	BEARING, ENDURO 18307 ABEC 5
20166	BEARING, ENDURO 31803 ABEC 5
20167	BEARING, ENDURO 61803 ABEC 5
20168	BEARING, ENDURO 61903 ABEC 5

79516	WS, 27.5 BL287 ASYM BST SPL28/	
79518	W, 27.5 BL287 ASYM BST FRNT28H	1
20311	NIPPLE,EXT BLACK ALLOY SQ HEAD	28
21593	SPOKE, SPM CX-RAY SP 280MM BLK	14
21595	SPOKE, SPM CX-RAY SP 282MM BLK	14
21886	RIM TAPE,TL 30MM 5.5M INSTALED	1
22544	HUB, I9 HDMTN SPCL 28H110X15TA	1
22212	DECAL, H1O 27.5 ENDURO 2017	1
56513	D RIM, 27.5 ENDURO BL ASYM 28H	1
85513	W ACC KIT, MTN ASYM TL FRONT	1
79519	W, 27.5 BL287 ASYM BST SPL 28H	1
20311	NIPPLE,EXT BLACK ALLOY SQ HEAD	28
21594	SPOKE, SPM CX-RAY SP 281MM BLK	14
21595	SPOKE, SPM CX-RAY SP 282MM BLK	14
21886	RIM TAPE,TL 30MM 5.5M INSTALED	1
22524	HUB,i9 HDMTN SP CLSPL28H148X12	1
22212	DECAL, H1O 27.5 ENDURO 2017	1
56513	D RIM, 27.5 ENDURO BL ASYM 28H	1
85514	W ACC KIT, MTN ASYM TL REAR	1
79517	WS, 27.5 BL287 ASYM BST XD 28/28H	
79518	W, 27.5 BL287 ASYM BST FRNT28H	1
79520	W, 27.5 BL287 ASYM BST XD 28H	1
20311	NIPPLE,EXT BLACK ALLOY SQ HEAD	28
21594	SPOKE, SPM CX-RAY SP 281MM BLK	14
21595	SPOKE, SPM CX-RAY SP 282MM BLK	14
21886	RIM TAPE,TL 30MM 5.5M INSTALED	1
22525	HUB,I9 HDMTN SP CLXD28H148X12	1
66513	D RIM, H1O 27.5 END ASYM 28H	1
22212	DECAL, H1O 27.5 ENDURO 2017	1
85514	W ACC KIT, MTN ASYM TL REAR	1

WARNING: The information contained herein is proprietary and confidential to Reynolds Cycling and Reynolds Cycling affiliates. This document is not intended for public distribution or disclosure. This document may be referenced and reproduced for and by Reynolds Cycling and Reynolds Cycling affiliates only.

BLACKLABEL 289



FREEHUB OPTIONS

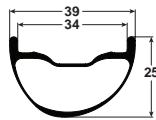
21844	FREEHUB, i9 SHIM 10SP COMPLETE
21845	FREEHUB, i9 XD 11SP COMPLETE
21840	END CAP, i9 FRONT 15mm TA
21841	END CAP, i9 REAR MTN 12mm TA
21842	END CAP, i9 FRT QR CL
21843	END CAP i9, REAR CL QR
21848	AXLE, i9 MTN FRT CL 100mm HUB
21849	AXLE, i9 MTN FRT CL 110mm HUB
21850	AXLE, i9 MTN REAR CL12x142 HUB
21851	AXLE, i9 MTN REAR CL12x148 HUB
20165	BEARING, ENDURO 18307 ABEC 5
20166	BEARING, ENDURO 31803 ABEC 5
20167	BEARING, ENDURO 61803 ABEC 5
20168	BEARING, ENDURO 61903 ABEC 5

79596	WS, 29 BL289 ASYM BST SPL 2828	
79598	W, 29 BL289 ASYM BST FRNT 28H	1
20311	NIPPLE,EXT BLACK ALLOY SQ HEAD	28
21602	SPOKE, SPM CX-RAY SP 300MM BLK	14
21604	SPOKE, SPM CX-RAY SP 302MM BLK	14
21886	RIM TAPE,TL 30MM 5.5M INSTALED	1
22544	HUB, I9 HDMTN SPCL 28H110X15TA	1
22215	DECAL, HiO 29ER ENDURO 2017	1
56593	D RIM, 29ER ENDURO BL ASYM 28H	1
85513	W ACC KIT, MTN ASYM TL FRONT	1
79599	W, 29 BL289 ASYM BST SPL 28H	1
20311	NIPPLE,EXT BLACK ALLOY SQ HEAD	28
21601	SPOKE, SPM CX-RAY SP 299MM BLK	14
21603	SPOKE, SPM CX-RAY SP 301MM BLK	14
21886	RIM TAPE,TL 30MM 5.5M INSTALED	1
22524	HUB,i9 HDMTN SP CLSPL28H148X12	1
22215	DECAL, HiO 29ER ENDURO 2017	1
56593	D RIM, 29ER ENDURO BL ASYM 28H	1
85514	W ACC KIT, MTN ASYM TL REAR	1
79597	WS, 29 BL289 ASYM BST XD 28/28H	
79598	W, 29 BL289 ASYM BST FRNT 28H	1
79600	W, 29 BL289 ASYM BST XD 28H	1
20311	NIPPLE,EXT BLACK ALLOY SQ HEAD	28
21601	SPOKE, SPM CX-RAY SP 299MM BLK	14
21603	SPOKE, SPM CX-RAY SP 301MM BLK	14
21886	RIM TAPE,TL 30MM 5.5M INSTALED	1
22525	HUB,I9 HDMTN SP CLXD28H148X12	1
22215	DECAL, HiO 29ER ENDURO 2017	1
56593	D RIM, 29ER ENDURO BL ASYM 28H	1
85514	W ACC KIT, MTN ASYM TL REAR	1

WARNING: The information contained herein is proprietary and confidential to Reynolds Cycling and Reynolds Cycling affiliates. This document is not intended for public distribution or disclosure. This document may be referenced and reproduced for and by Reynolds Cycling and Reynolds Cycling affiliates only.



BLACKLABEL 347



FREEHUB OPTIONS

21844	FREEHUB, i9 SHIM 10SP COMPLETE
21845	FREEHUB, i9 XD 11SP COMPLETE
21840	END CAP, i9 FRONT 15mm TA
21841	END CAP, i9 REAR MTN 12mm TA
21842	END CAP, i9 FRT QR CL
21843	END CAP i9, REAR CL QR
21848	AXLE, i9 MTN FRT CL 100mm HUB
21849	AXLE, i9 MTN FRT CL 110mm HUB
21850	AXLE, i9 MTN REAR CL12x142 HUB
21851	AXLE, i9 MTN REAR CL12x148 HUB
20165	BEARING, ENDURO 18307 ABEC 5
20166	BEARING, ENDURO 31803 ABEC 5
20167	BEARING, ENDURO 61803 ABEC 5
20168	BEARING, ENDURO 61903 ABEC 5

78531	WS, 27.5 BL 347 BST SHIM 28/28	
78533	W, 27.5 BL 347 15/110 FRNT 28H	1
68533	D RIM, HIO 27.5 BL 347 TL 28H	1
20918	RIM TAPE, TL 22MM 5.5M INSTALED	1
21827	HUB, MTN i9 SP CL 28H 110x15TA	1
21594	SPOKE, SPM CX-RAY SP 281MM BLK	14
21596	SPOKE, SPM CX-RAY SP 283MM BLK	14
20311	NIPPLE, EXT BLACK ALLOY SQ HEAD	28
20007	DECAL, NOT INTENDED FOR RB USE	1
20008	DECAL, REGISTER WHEELS	1
20332	WHEEL RAP HANG TAG	1
20120	BOX, TW DBLE WHL RNLD WIDE29er	0.5
78534	W, 27.5 BL 347 12/148 SHIM 28H	1
68533	D RIM, HIO 27.5 BL 347 TL 28H	1
20918	RIM TAPE, TL 22MM 5.5M INSTALED	1
21829	HUB, MTN i9 SP CLSHIM28H148x12	1
21596	SPOKE, SPM CX-RAY SP 283MM BLK	28
20311	NIPPLE, EXT BLACK ALLOY SQ HEAD	28
20007	DECAL, NOT INTENDED FOR RB USE	1
20008	DECAL, REGISTER WHEELS	1
20332	WHEEL RAP HANG TAG	1
20120	BOX, TW DBLE WHL RNLD WIDE29er	0.5
85513	W ACC KIT, MTN ASYM TL FRONT	1
3040	9 X 12 X 4MIL ZIP LOCK BAG	1
20333	REYNOLDS NEW PROD WEBSITE CARD	1
20904	VALVE STEM, AM 45MM LONG	1
21287	LOCK RING, CENTER LOCK	1
85514	W ACC KIT, MTN ASYM TL REAR	1
3040	9 X 12 X 4MIL ZIP LOCK BAG	1
20333	REYNOLDS NEW PROD WEBSITE CARD	1
20904	VALVE STEM, AM 45MM LONG	1
21287	LOCK RING, CENTER LOCK	1
21289	ADAPTER, CL TO IS6-BOLT	1

WARNING: The information contained herein is proprietary and confidential to Reynolds Cycling and Reynolds Cycling affiliates. This document is not intended for public distribution or disclosure. This document may be referenced and reproduced for and by Reynolds Cycling and Reynolds Cycling affiliates only.

BLACKLABEL 349



FREEHUB OPTIONS

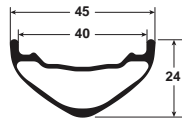
21844	FREEHUB, i9 SHIM 10SP COMPLETE
21845	FREEHUB, i9 XD 11SP COMPLETE
21840	END CAP, i9 FRONT 15mm TA
21841	END CAP, i9 REAR MTN 12mm TA
21842	END CAP, i9 FRT QR CL
21843	END CAP i9, REAR CL QR
21848	AXLE, i9 MTN FRT CL 100mm HUB
21849	AXLE, i9 MTN FRT CL 110mm HUB
21850	AXLE, i9 MTN REAR CL12x142 HUB
21851	AXLE, i9 MTN REAR CL12x148 HUB
20165	BEARING, ENDURO 18307 ABEC 5
20166	BEARING, ENDURO 31803 ABEC 5
20167	BEARING, ENDURO 61803 ABEC 5
20168	BEARING, ENDURO 61903 ABEC 5

78601	WS, 29 BL 349 BST SHIM 28/28	
78603	W, 29 BL 349 15/110 FRNT 28H	1
68603	D RIM, HIO 29 BL 349 TL 28H	1
20918	RIM TAPE, TL 22MM 5.5M INSTALED	1
21827	HUB, MTN i9 SP CL 28H 110x15TA	1
21603	SPOKE, SPM CX-RAY SP 301MM BLK	14
21748	SPOKE, SPM CX-RAY SP 303MM BLK	14
20311	NIPPLE, EXT BLACK ALLOY SQ HEAD	28
20007	DECAL, NOT INTENDED FOR RB USE	1
20008	DECAL, REGISTER WHEELS	1
20332	WHEEL RAP HANG TAG	1
20120	BOX, TW DBLE WHL RNLD WIDE29er	0.5
78604	W, 29 BL 349 12/148 SHIM 28H	1
68603	D RIM, HIO 29 BL 349 TL 28H	1
20918	RIM TAPE, TL 22MM 5.5M INSTALED	1
21829	HUB, MTN i9 SP CLSHIM28H148x12	1
21604	SPOKE, SPM CX-RAY SP 302MM BLK	28
20311	NIPPLE, EXT BLACK ALLOY SQ HEAD	28
20007	DECAL, NOT INTENDED FOR RB USE	1
20008	DECAL, REGISTER WHEELS	1
20332	WHEEL RAP HANG TAG	1
20120	BOX, TW DBLE WHL RNLD WIDE29er	0.5
85513	W ACC KIT, MTN ASYM TL FRONT	1
3040	9 X 12 X 4MIL ZIP LOCK BAG	1
20333	REYNOLDS NEW PROD WEBSITE CARD	1
21287	LOCK RING, CENTER LOCK	1
21289	ADAPTER, CL TO IS6-BOLT	1
85514	W ACC KIT, MTN ASYM TL REAR	1
3040	9 X 12 X 4MIL ZIP LOCK BAG	1
20333	REYNOLDS NEW PROD WEBSITE CARD	1
20904	VALVE STEM, AM 45MM LONG	1
21287	LOCK RING, CENTER LOCK	1
21289	ADAPTER, CL TO IS6-BOLT	1

WARNING: The information contained herein is proprietary and confidential to Reynolds Cycling and Reynolds Cycling affiliates. This document is not intended for public distribution or disclosure. This document may be referenced and reproduced for and by Reynolds Cycling and Reynolds Cycling affiliates only.



BLACKLABEL 407



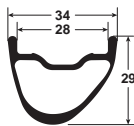
FREEHUB OPTIONS

21844	FREEHUB, i9 SHIM 10SP COMPLETE
21845	FREEHUB, i9 XD 11SP COMPLETE
21840	END CAP, i9 FRONT 15mm TA
21841	END CAP, i9 REAR MTN 12mm TA
21842	END CAP, i9 FRT QR CL
21843	END CAP i9, REAR CL QR
21848	AXLE, i9 MTN FRT CL 100mm HUB
21849	AXLE, i9 MTN FRT CL 110mm HUB
21850	AXLE, i9 MTN REAR CL12x142 HUB
21851	AXLE, i9 MTN REAR CL12x148 HUB
20165	BEARING, ENDURO 18307 ABEC 5
20166	BEARING, ENDURO 31803 ABEC 5
20167	BEARING, ENDURO 61803 ABEC 5
20168	BEARING, ENDURO 61903 ABEC 5

79521	WS, 27.5 BL407 BST SPL 28/28H	
79523	W, 27.5 BL407 BST FRNT 28H	1
20311	NIPPLE,EXT BLACK ALLOY SQ HEAD	28
20920	RIM TAPE,TL 28MM 5.5M INSTALED	1
21596	SPOKE, SPM CX-RAY SP 283MM BLK	14
21605	SPOKE, SPM CX-RAY SP 285MM BLK	14
22544	HUB, i9 HDMTN SPCL 28H110X15TA	1
22213	DECAL, HiO 27.5 PLUS 2017	1
56523	D RIM, 27.5 PLUS BL 28H	1
85513	W ACC KIT, MTN ASYM TL FRONT	1
79524	W, 27.5 BL407 BST SPL 28H	1
20311	NIPPLE,EXT BLACK ALLOY SQ HEAD	28
20920	RIM TAPE,TL 28MM 5.5M INSTALED	1
21531	SPOKE, SPM CX-RAY SP 284MM BLK	28
22524	HUB,i9 HDMTN SP CLSPL28H148X12	1
22213	DECAL, HiO 27.5 PLUS 2017	1
56523	D RIM, 27.5 PLUS BL 28H	1
85514	W ACC KIT, MTN ASYM TL REAR	1
79522	WS, 27.5 BL407 BST XD 28/28H	
79523	W, 27.5 BL407 BST FRNT 28H	1
79525	W, 27.5 BL407 BST XD 28H	1
20311	NIPPLE,EXT BLACK ALLOY SQ HEAD	28
20920	RIM TAPE,TL 28MM 5.5M INSTALED	1
21531	SPOKE, SPM CX-RAY SP 284MM BLK	28
22525	HUB,i9 HDMTN SP CLXD28H148X12	1
22213	DECAL, HiO 27.5 PLUS 2017	1
56523	D RIM, 27.5 PLUS BL 28H	1
85514	W ACC KIT, MTN ASYM TL REAR	1

WARNING: The information contained herein is proprietary and confidential to Reynolds Cycling and Reynolds Cycling affiliates. This document is not intended for public distribution or disclosure. This document may be referenced and reproduced for and by Reynolds Cycling and Reynolds Cycling affiliates only.

BLACKLABEL DH 287



FREEHUB OPTIONS

21844	FREEHUB, i9 SHIM 10SP COMPLETE
21845	FREEHUB, i9 XD 11SP COMPLETE
21840	END CAP, i9 FRONT 15mm TA
21841	END CAP, i9 REAR MTN 12mm TA
21842	END CAP, i9 FRT QR CL
21843	END CAP i9, REAR CL QR
21848	AXLE, i9 MTN FRT CL 100mm HUB
21849	AXLE, i9 MTN FRT CL 110mm HUB
21850	AXLE, i9 MTN REAR CL12x142 HUB
21851	AXLE, i9 MTN REAR CL12x148 HUB
20165	BEARING, ENDURO 18307 ABEC 5
20166	BEARING, ENDURO 31803 ABEC 5
20167	BEARING, ENDURO 61803 ABEC 5
20168	BEARING, ENDURO 61903 ABEC 5

77551	WS, 27.5 DH LTD ASYM 32/32H	
77553	W, 27.5 DH LTD ASYM FRNT 32H	1.00
57554	D RIM, 27.5 DOWNHILL ASYM 32H	1.00
20315	NIPPLE, BRASS 14MM BLACK EXT	32.00
21753	SPOKE, SPM SPRINT JB 263MM BLK	16.00
21757	SPOKE, SPM SPRINT JB 267MM BLK	16.00
21885	RIM TAPE, TUBELESS 30MM 5.5M	1.00
21924	HUB, i9 DH JB IS6 FRNT 32H BLU	1.00
22048	DECAL, B KERR DH LTD BLUE	1.00
22050	DECAL, PIVOT DH TEAM GREEN x2	1.00
85181	W ACC KIT, REY DH/FATBIKE TL	1.00
77554	W, 27.5 DH LTD ASYM SHIM 32H	1.00
57554	D RIM, 27.5 DOWNHILL ASYM 32H	1.00
20315	NIPPLE, BRASS 14MM BLACK EXT	32.00
21755	SPOKE, SPM SPRINT JB 265MM BLK	16.00
21756	SPOKE, SPM SPRINT JB 266MM BLK	16.00
21885	RIM TAPE, TUBELESS 30MM 5.5M	1.00
21925	HUB, i9 DH JB IS6 SHIM 32H BLU	1.00
22048	DECAL, B KERR DH LTD BLUE	1.00
22050	DECAL, PIVOT DH TEAM GREEN x2	1.00
85181	W ACC KIT, REY DH/FATBIKE TL	1.00
77552	WS, 27.5 DH LTD ASYM XD 32/32H	
77553	W, 27.5 DH LTD ASYM FRNT 32H	1.00
77555	W, 27.5 DH LTD ASYM XD 32H	1.00
57554	D RIM, 27.5 DOWNHILL ASYM 32H	1.00
20315	NIPPLE, BRASS 14MM BLACK EXT	32.00
21755	SPOKE, SPM SPRINT JB 265MM BLK	16.00
21756	SPOKE, SPM SPRINT JB 266MM BLK	16.00
21885	RIM TAPE, TUBELESS 30MM 5.5M	1.00
21926	HUB, i9 DH JB IS6 XD 32H BLU	1.00
22048	DECAL, B KERR DH LTD BLUE	1.00
22050	DECAL, PIVOT DH TEAM GREEN x2	1.00
85181	W ACC KIT, REY DH/FATBIKE TL	1.00

WARNING: The information contained herein is proprietary and confidential to Reynolds Cycling and Reynolds Cycling affiliates. This document is not intended for public distribution or disclosure. This document may be referenced and reproduced for and by Reynolds Cycling and Reynolds Cycling affiliates only.



BLACKLABEL DH 289



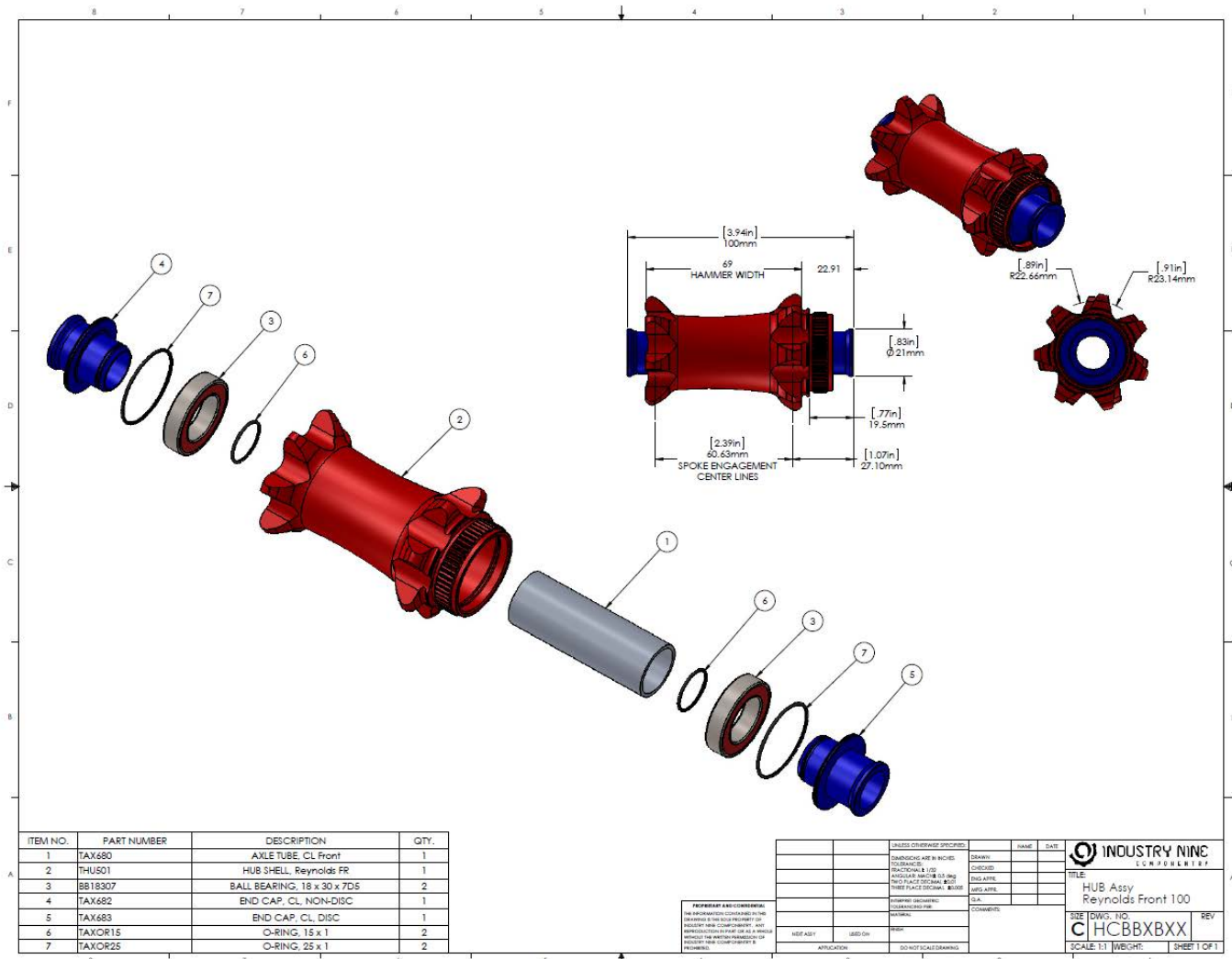
FREEHUB OPTIONS

21844	FREEHUB, i9 SHIM 10SP COMPLETE
21845	FREEHUB, i9 XD 11SP COMPLETE
21840	END CAP, i9 FRONT 15mm TA
21841	END CAP, i9 REAR MTN 12mm TA
21842	END CAP, i9 FRT QR CL
21843	END CAP i9, REAR CL QR
21848	AXLE, i9 MTN FRT CL 100mm HUB
21849	AXLE, i9 MTN FRT CL 110mm HUB
21850	AXLE, i9 MTN REAR CL12x142 HUB
21851	AXLE, i9 MTN REAR CL12x148 HUB
20165	BEARING, ENDURO 18307 ABEC 5
20166	BEARING, ENDURO 31803 ABEC 5
20167	BEARING, ENDURO 61803 ABEC 5
20168	BEARING, ENDURO 61903 ABEC 5

77601	WS, 29ER DOWNHILL ASYM 32/32H	
77603	W, 29ER DOWNHILL ASYM FRNT 32H	1.00
57604	D RIM, 29ER DOWNHILL ASYM 32H	1.00
20315	NIPPLE, BRASS 14MM BLACK EXT	32.00
21701	SPOKE, SPM SPRINT JB 282MM BLK	16.00
21705	SPOKE, SPM SPRINT JB 286MM BLK	16.00
21885	RIM TAPE, TUBELESS 30MM 5.5M	1.00
21948	HUB, i9 DH JB IS6 20MM BST 32H	1.00
22048	DECAL, B KERR DH LTD BLUE	1.00
22050	DECAL, PIVOT DH TEAM GREEN x2	1.00
85181	W ACC KIT, REY DH/FATBIKE TL	1.00
77604	W, 29ER DOWNHILL ASYM SHIM 32H	1.00
57604	D RIM, 29ER DOWNHILL ASYM 32H	1.00
20315	NIPPLE, BRASS 14MM BLACK EXT	32.00
21702	SPOKE, SPM SPRINT JB 283MM BLK	16.00
21703	SPOKE, SPM SPRINT JB 284MM BLK	16.00
21836	HUB, i9 DH JB IS6SHIM32H157X12	1.00
21885	RIM TAPE, TUBELESS 30MM 5.5M	1.00
22048	DECAL, B KERR DH LTD BLUE	1.00
22050	DECAL, PIVOT DH TEAM GREEN x2	1.00
85181	W ACC KIT, REY DH/FATBIKE TL	1.00
77602	WS, 29ER DOWNHILL ASYM XD 3232	
77603	W, 29ER DOWNHILL ASYM FRNT 32H	1.00
77605	W, 29ER DOWNHILL ASYM XD 32H	1.00
57604	D RIM, 29ER DOWNHILL ASYM 32H	1.00
20315	NIPPLE, BRASS 14MM BLACK EXT	32.00
21702	SPOKE, SPM SPRINT JB 283MM BLK	16.00
21703	SPOKE, SPM SPRINT JB 284MM BLK	16.00
21885	RIM TAPE, TUBELESS 30MM 5.5M	1.00
21926	HUB, i9 DH JB IS6 XD 32H BLU	1.00
22048	DECAL, B KERR DH LTD BLUE	1.00
22050	DECAL, PIVOT DH TEAM GREEN x2	1.00
85181	W ACC KIT, REY DH/FATBIKE TL	1.00

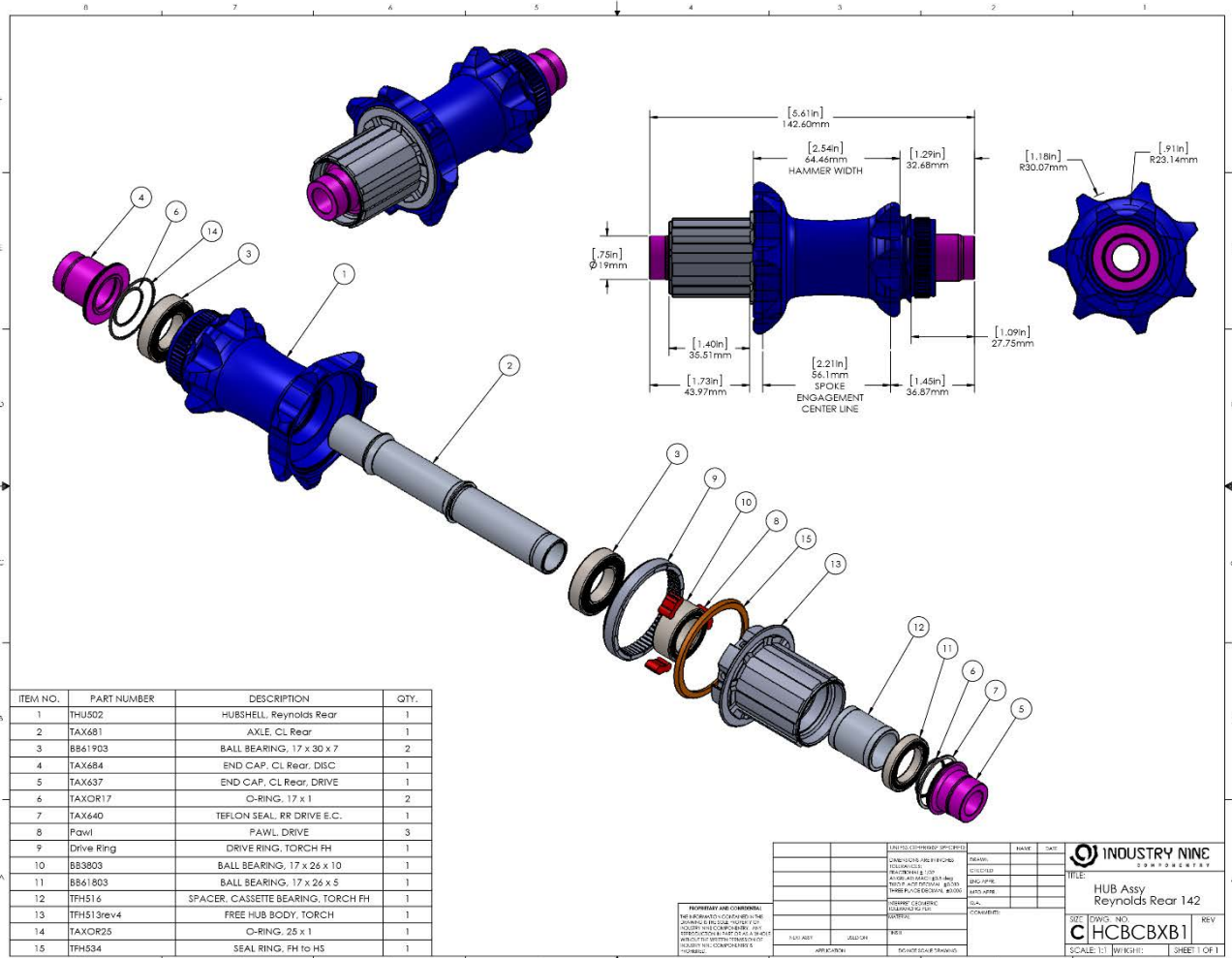
WARNING: The information contained herein is proprietary and confidential to Reynolds Cycling and Reynolds Cycling affiliates. This document is not intended for public distribution or disclosure. This document may be referenced and reproduced for and by Reynolds Cycling and Reynolds Cycling affiliates only.

BL MTN CARBON DISC FRONT HUB



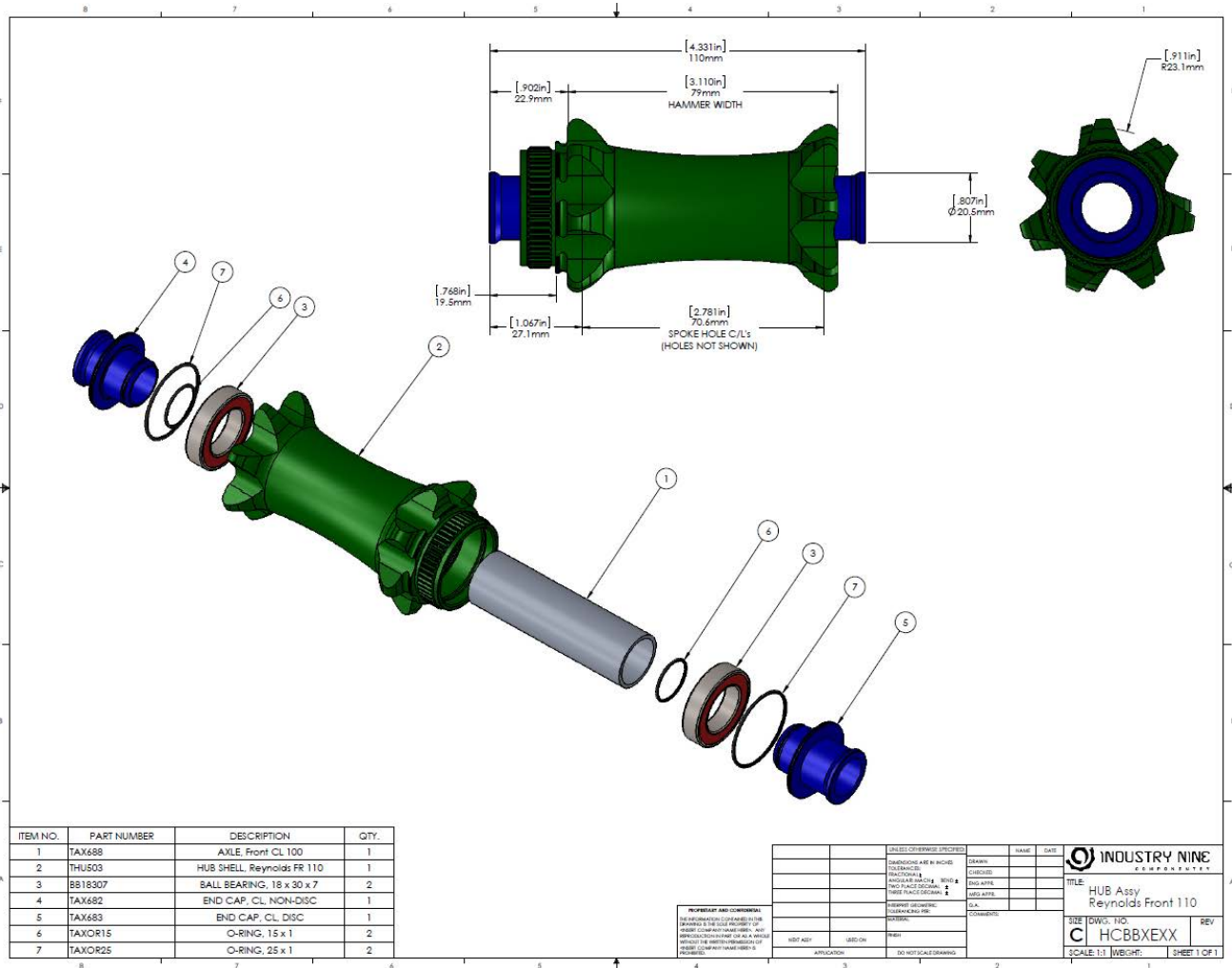
WARNING: The information contained herein is proprietary and confidential to Reynolds Cycling and Reynolds Cycling affiliates. This document is not intended for public distribution or disclosure. This document may be referenced and reproduced for and by Reynolds Cycling and Reynolds Cycling affiliates only.

BL MTN CARBON DISC REAR HUB



WARNING: The information contained herein is proprietary and confidential to Reynolds Cycling and Reynolds Cycling affiliates. This document is not intended for public distribution or disclosure. This document may be referenced and reproduced for and by Reynolds Cycling and Reynolds Cycling affiliates only.

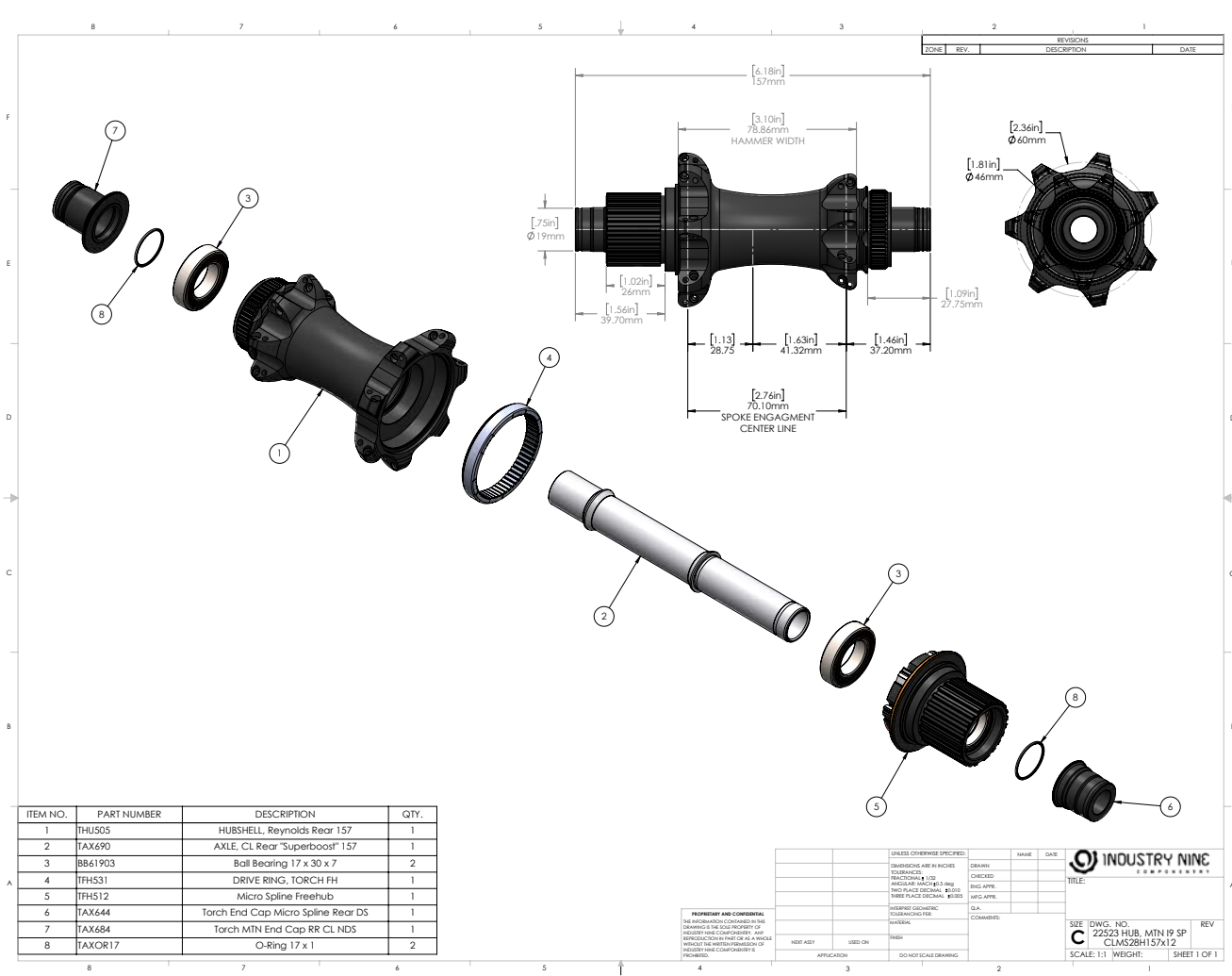
BOOST BL MTN CARBON DISC FRONT HUB



WARNING: The information contained herein is proprietary and confidential to Reynolds Cycling and Reynolds Cycling affiliates. This document is not intended for public distribution or disclosure. This document may be referenced and reproduced for and by Reynolds Cycling and Reynolds Cycling affiliates only.

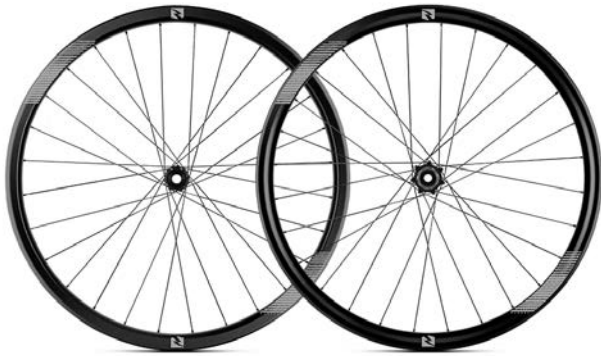


BOOST + 157 BL MTN CARBON DISC REAR HUB

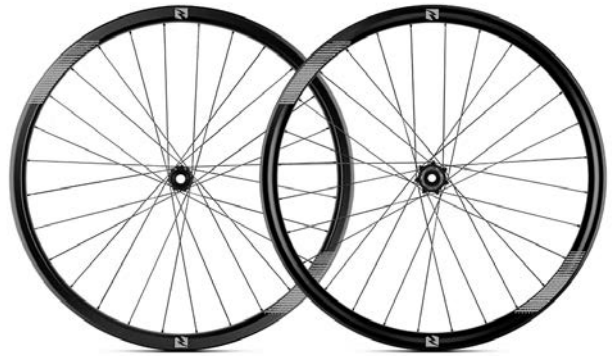


WARNING: The information contained herein is proprietary and confidential to Reynolds Cycling and Reynolds Cycling affiliates. This document is not intended for public distribution or disclosure. This document may be referenced and reproduced for and by Reynolds Cycling and Reynolds Cycling affiliates only.

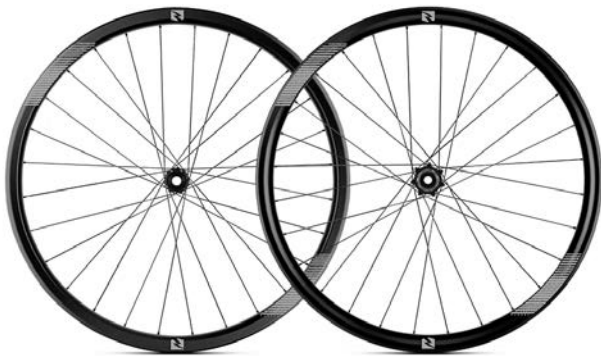
TR & TR S MOUNTAIN WHEELS



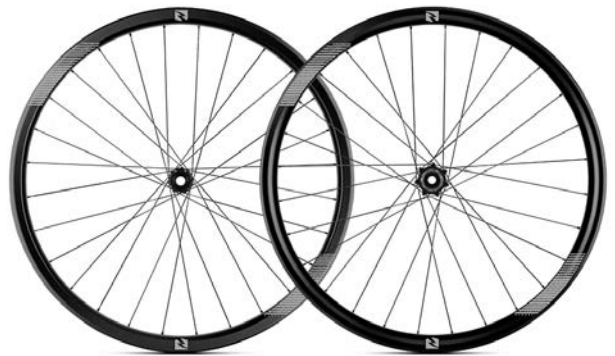
TR 249 & TR 249 S



TR 307 & TR 307 S



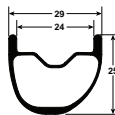
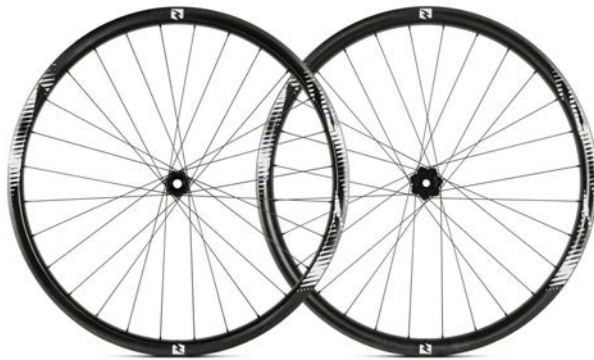
TR 309 & TR 309 S



TR 367 & TR 367 S

WARNING: The information contained herein is proprietary and confidential to Reynolds Cycling and Reynolds Cycling affiliates. This document is not intended for public distribution or disclosure. This document may be referenced and reproduced for and by Reynolds Cycling and Reynolds Cycling affiliates only.

TR 249 MOUNTAIN



FREEHUB OPTIONS

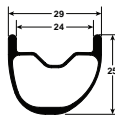
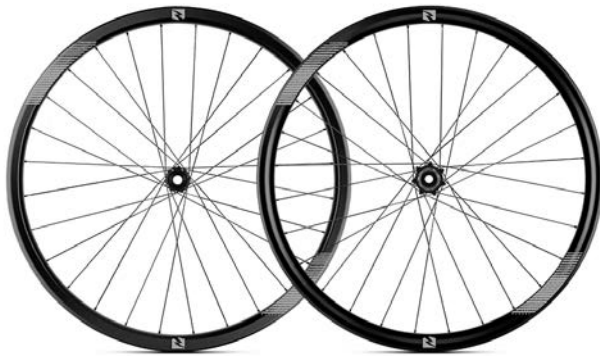
20783	O-RING, GW DB END CAPS
22099	SPACER, GW, RED 17.5*15*2.1 mm
22121	END CAP, GW DB FRNT 12MM TA
22128	END CAP, GW DB R 12/142 TA
22150	FREEHUB, GW MTN SHIM 4 PAWL
22146	FREEHUB, GW XD 11 SPD 4 PAWL
22518	FREEHUB, GW TR3 MS 4 PAWL
22158	AXLE, FOR GW DB REAR 15/12/135
22164	AXLE GW 148 BST 15/12/131 CrMo
22169	AXLE, CrMo GW DB REAR 15/12/13
22176	AXLE GW 157SBST 15/12/140 CrMo
22162	SPACER, GW REAR AXLE
22163	SEAL, GW REAR HUB NDS

78871	WS, 29 TR249 SHIM 28/28	
78873	W, 29 TR249 FRNT 28H	1
57932	D RIM, 29 XC PAC ASYM 28H 5°	1
20919	RIM TAPE, TL 25MM 5.5M INSTALED	1
22114	HUB, GW MTN TR3 FRNT 100/15 28	1
22420	SPOKE, SPM SPRINT SP 297MM BLK	14
22423	SPOKE, SPM SPRINT SP 300MM BLK	14
20355	NIPPLE, EXT BLACK BRASS SQ HEAD	28
21989	DECAL, 29 TR249 WHITE	0.5
20007	DECAL, NOT INTENDED FOR RB USE	1
20008	DECAL, REGISTER WHEELS	1
20332	WHEEL RAP HANG TAG	1
20120	BOX, TW DBLE WHL RNLD WIDE29er	0.5
78874	W, 29 TR249 SHIM 28H	1
57932	D RIM, 29 XC PAC ASYM 28H 5°	1
20919	RIM TAPE, TL 25MM 5.5M INSTALED	1
22116	HUB, GW MTN TR3 SHIM 142/12 28	1
22422	SPOKE, SPM SPRINT SP 299MM BLK	14
22423	SPOKE, SPM SPRINT SP 300MM BLK	14
20355	NIPPLE, EXT BLACK BRASS SQ HEAD	28
21989	DECAL, 29 TR249 WHITE	0.5
20007	DECAL, NOT INTENDED FOR RB USE	1
20008	DECAL, REGISTER WHEELS	1
20332	WHEEL RAP HANG TAG	1
20120	BOX, TW DBLE WHL RNLD WIDE29er	0.5
85513	W ACC KIT, MTN ASYM TL FRONT	1
3040	9 X 12 X 4MIL ZIP LOCK BAG	1
20333	REYNOLDS NEW PROD WEBSITE CARD	1
20904	VALVE STEM, AM 45MM LONG	1
21287	LOCK RING, CENTER LOCK	1
21289	ADAPTER, CL TO IS6-BOLT	1
85514	W ACC KIT, MTN ASYM TL REAR	1
3040	9 X 12 X 4MIL ZIP LOCK BAG	1
20333	REYNOLDS NEW PROD WEBSITE CARD	1
20904	VALVE STEM, AM 45MM LONG	1
21287	LOCK RING, CENTER LOCK	1
21289	ADAPTER, CL TO IS6-BOLT	1

WARNING: The information contained herein is proprietary and confidential to Reynolds Cycling and Reynolds Cycling affiliates. This document is not intended for public distribution or disclosure. This document may be referenced and reproduced for and by Reynolds Cycling and Reynolds Cycling affiliates only.



TR 249 S MOUNTAIN



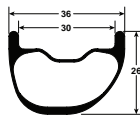
FREEHUB OPTIONS

20783	O-RING, GW DB END CAPS
22099	SPACER, GW, RED 17.5*15*2.1 mm
22122	END CAP, GW DB FRNT 15MM TA
22128	END CAP, GW DB R 12/142 TA
22148	FREEHUB, GW MTN SHIM 6 PAWL
22149	FREEHUB, GW MTN XD 6 PAWL
22519	FREEHUB, GW TR6 MS 6 PAWL
22158	AXLE, FOR GW DB REAR 15/12/135
22164	AXLE GW 148 BST 15/12/131 CrMo
22169	AXLE, CrMo GW DB REAR 15/12/13
22176	AXLE GW 157SBST 15/12/140 CrMo
22162	SPACER, GW REAR AXLE
22163	SEAL, GW REAR HUB NDS

78771	WS, 29 TR249s SHIM 28/28	
78773	W, 29 TR249s FRNT 28H	1
57932	D RIM, 29 XC PAC ASYM 28H 5°	1
20919	RIM TAPE, TL 25MM 5.5M INSTALED	1
22136	HUB, GW MTN CL FRNT 100/15 28H	1
22490	SPOKE, SPM CXDELTA SP 300MM BL	14
22492	SPOKE, SPM CXDELTA SP 302MM BL	14
20311	NIPPLE, EXT BLACK ALLOY SQ HEAD	28
21979	DECAL, 29 TR249s GRAY	1
81204	DECAL KIT, TR249s - 5 COLORS	1
20007	DECAL, NOT INTENDED FOR RB USE	1
20008	DECAL, REGISTER WHEELS	1
20332	WHEEL RAP HANG TAG	1
20120	BOX, TW DBLE WHL RNLD WIDE29er	0.5
78774	W, 29 TR249s SHIM 28H	1
57932	D RIM, 29 XC PAC ASYM 28H 5°	1
20919	RIM TAPE, TL 25MM 5.5M INSTALED	1
22138	HUB, GW MTN CL SHIM 142/12 28H	1
22490	SPOKE, SPM CXDELTA 300MM SP BLK	28
20311	NIPPLE, EXT BLACK ALLOY SQ HEAD	28
21979	DECAL, 29 TR249s GRAY	1
81204	DECAL KIT, TR249s - 5 COLORS	1
20007	DECAL, NOT INTENDED FOR RB USE	1
20008	DECAL, REGISTER WHEELS	1
20332	WHEEL RAP HANG TAG	1
20120	BOX, TW DBLE WHL RNLD WIDE29er	0.5
85513	W ACC KIT, MTN ASYM TL FRONT	1
3040	9 X 12 X 4MIL ZIP LOCK BAG	1
20333	REYNOLDS NEW PROD WEBSITE CARD	1
20904	VALVE STEM, AM 45MM LONG	1
21287	LOCK RING, CENTER LOCK	1
21289	ADAPTER, CL TO IS6-BOLT	1
85514	W ACC KIT, MTN ASYM TL REAR	1
3040	9 X 12 X 4MIL ZIP LOCK BAG	1
20333	REYNOLDS NEW PROD WEBSITE CARD	1
20904	VALVE STEM, AM 45MM LONG	1
21287	LOCK RING, CENTER LOCK	1
21289	ADAPTER, CL TO IS6-BOLT	1

WARNING: The information contained herein is proprietary and confidential to Reynolds Cycling and Reynolds Cycling affiliates. This document is not intended for public distribution or disclosure. This document may be referenced and reproduced for and by Reynolds Cycling and Reynolds Cycling affiliates only.

TR 307 MOUNTAIN



FREEHUB OPTIONS

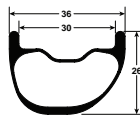
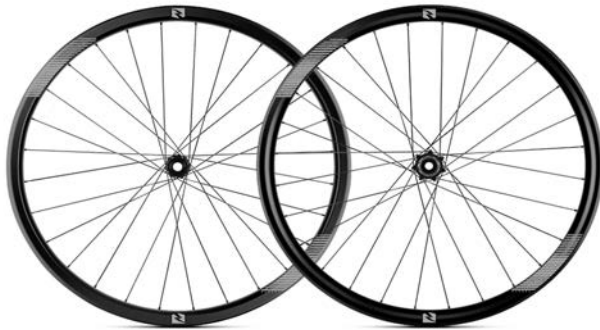
20783	O-RING, GW DB END CAPS
22099	SPACER, GW, RED 17.5*15*2.1 mm
22121	END CAP, GW DB FRNT 12MM TA
22128	END CAP, GW DB R 12/142 TA
22150	FREEHUB, GW MTN SHIM 4 PAWL
22146	FREEHUB, GW XD 11 SPD 4 PAWL
22518	FREEHUB, GW TR3 MS 4 PAWL
22158	AXLE, FOR GW DB REAR 15/12/135
22164	AXLE GW 148 BST 15/12/131 CrMo
22169	AXLE, CrMo GW DB REAR 15/12/13
22176	AXLE GW 157SBST 15/12/140 CrMo
22162	SPACER, GW REAR AXLE
22163	SEAL, GW REAR HUB NDS

78801	WS, 27.5 TR307 SHIM 28/28	
78803	W, 27.5 TR307 FRNT 28H	1
58902	D RIM, 27.5 WD PAC ASYM 28H 5°	1
21886	RIM TAPE, TL 30MM 5.5M INSTALED	1
22114	HUB, GW MTN TR3 FRNT 100/15 28	1
22410	SPOKE, SPM SPRINT SP 278MM BLK	14
22412	SPOKE, SPM SPRINT SP 280MM BLK	14
20355	NIPPLE, EXT BLACK BRASS SQ HEAD	28
21984	DECAL, 27.5 TR307 WHITE	0.5
20007	DECAL, NOT INTENDED FOR RB USE	1
20008	DECAL, REGISTER WHEELS	1
20332	WHEEL RAP HANG TAG	1
20120	BOX, TW DBLE WHL RNLD WIDE29er	0.5
78804	W, 27.5 TR307 SHIM 28H	1
58902	D RIM, 27.5 WD PAC ASYM 28H 5°	1
21886	RIM TAPE, TL 30MM 5.5M INSTALED	1
22116	HUB, GW MTN TR3 SHIM 142/12 28	1
22410	SPOKE, SPM SPRINT SP 278MM BLK	14
22413	SPOKE, SPM SPRINT SP 281MM BLK	14
20355	NIPPLE, EXT BLACK BRASS SQ HEAD	28
21984	DECAL, 27.5 TR307 WHITE	0.5
20007	DECAL, NOT INTENDED FOR RB USE	1
20008	DECAL, REGISTER WHEELS	1
20332	WHEEL RAP HANG TAG	1
20120	BOX, TW DBLE WHL RNLD WIDE29er	0.5
85513	W ACC KIT, MTN ASYM TL FRONT	1
3040	9 X 12 X 4MIL ZIP LOCK BAG	1
20333	REYNOLDS NEW PROD WEBSITE CARD	1
20904	VALVE STEM, AM 45MM LONG	1
21287	LOCK RING, CENTER LOCK	1
21289	ADAPTER, CL TO IS6-BOLT	1
85514	W ACC KIT, MTN ASYM TL REAR	1
3040	9 X 12 X 4MIL ZIP LOCK BAG	1
20333	REYNOLDS NEW PROD WEBSITE CARD	1
20904	VALVE STEM, AM 45MM LONG	1
21287	LOCK RING, CENTER LOCK	1
21289	ADAPTER, CL TO IS6-BOLT	1

WARNING: The information contained herein is proprietary and confidential to Reynolds Cycling and Reynolds Cycling affiliates. This document is not intended for public distribution or disclosure. This document may be referenced and reproduced for and by Reynolds Cycling and Reynolds Cycling affiliates only.



TR 307 S MOUNTAIN



FREEHUB OPTIONS

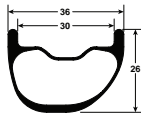
20783	O-RING, GW DB END CAPS
22099	SPACER, GW, RED 17.5*15*2.1 mm
22122	END CAP, GW DB FRNT 15MM TA
22128	END CAP, GW DB R 12/142 TA
22148	FREEHUB, GW MTN SHIM 6 PAWL
22149	FREEHUB, GW MTN XD 6 PAWL
22519	FREEHUB, GW TR6 MS 6 PAWL
22158	AXLE, FOR GW DB REAR 15/12/135
22164	AXLE GW 148 BST 15/12/131 CrMo
22169	AXLE, CrMo GW DB REAR 15/12/13
22176	AXLE GW 157SBST 15/12/140 CrMo
22162	SPACER, GW REAR AXLE
22163	SEAL, GW REAR HUB NDS

78701	WS, 27.5 TR307s SHIM 28/28	
78703	W, 27.5 TR307s FRNT 28H	1
58902	D RIM, 27.5 WD PAC ASYM 28H 5°	1
21886	RIM TAPE, TL 30MM 5.5M INSTALED	1
22136	HUB, GW MTN CL FRNT 100/15 28H	1
22480	SPOKE, SPM CXDELTA 280MM SP BL	14
22481	SPOKE, SPM CXDELTA 281MM SP BL	14
20311	NIPPLE, EXT BLACK ALLOY SQ HEAD	28
21974	DECAL, 27.5 TR307s GRAY	1
81201	DECAL KIT, TR307s - 5 COLORS	1
20007	DECAL, NOT INTENDED FOR RB USE	1
20008	DECAL, REGISTER WHEELS	1
20332	WHEEL RAP HANG TAG	1
20120	BOX, TW DBLE WHL RNLD WIDE29er	0.5
78704	W, 27.5 TR307s SHIM 28H	1
58902	D RIM, 27.5 WD PAC ASYM 28H 5°	1
21886	RIM TAPE, TL 30MM 5.5M INSTALED	1
22138	HUB, GW MTN CL SHIM 142/12 28H	1
22481	SPOKE, SPM CXDELTA 281MM SP BL	28
20311	NIPPLE, EXT BLACK ALLOY SQ HEAD	28
21974	DECAL, 27.5 TR307s GRAY	1
81201	DECAL KIT, TR307s - 5 COLORS	1
20007	DECAL, NOT INTENDED FOR RB USE	1
20008	DECAL, REGISTER WHEELS	1
20332	WHEEL RAP HANG TAG	1
20120	BOX, TW DBLE WHL RNLD WIDE29er	0.5
85513	W ACC KIT, MTN ASYM TL FRONT	1
3040	9 X 12 X 4MIL ZIP LOCK BAG	1
20904	VALVE STEM, AM 45MM LONG	1
21287	LOCK RING, CENTER LOCK	1
21289	ADAPTER, CL TO IS6-BOLT	1
85514	W ACC KIT, MTN ASYM TL REAR	1
3040	9 X 12 X 4MIL ZIP LOCK BAG	1
20333	REYNOLDS NEW PROD WEBSITE CARD	1
20904	VALVE STEM, AM 45MM LONG	1
21287	LOCK RING, CENTER LOCK	1
21289	ADAPTER, CL TO IS6-BOLT	1

WARNING: The information contained herein is proprietary and confidential to Reynolds Cycling and Reynolds Cycling affiliates. This document is not intended for public distribution or disclosure. This document may be referenced and reproduced for and by Reynolds Cycling and Reynolds Cycling affiliates only.



TR 309 MOUNTAIN



FREEHUB OPTIONS

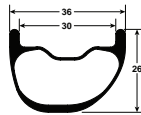
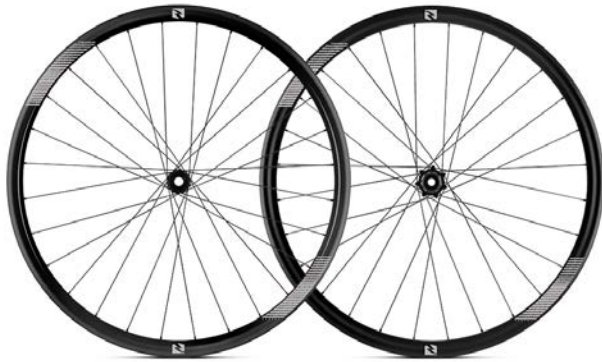
20783	O-RING, GW DB END CAPS
22099	SPACER, GW, RED 17.5*15*2.1 mm
22121	END CAP, GW DB FRNT 12MM TA
22128	END CAP, GW DB R 12/142 TA
22150	FREEHUB, GW MTN SHIM 4 PAWL
22146	FREEHUB, GW XD 11 SPD 4 PAWL
22518	FREEHUB, GW TR3 MS 4 PAWL
22158	AXLE, FOR GW DB REAR 15/12/135
22164	AXLE GW 148 BST 15/12/131 CrMo
22169	AXLE, CrMo GW DB REAR 15/12/13
22176	AXLE GW 157SBST 15/12/140 CrMo
22162	SPACER, GW REAR AXLE
22163	SEAL, GW REAR HUB NDS

78851	WS, 29 TR309 SHIM 28/28	
78853	W, 29 TR309 FRNT 28H	1
58922	D RIM, 29 WD PAC ASYM 28H 5°	1
21886	RIM TAPE, TL 30MM 5.5M INSTALED	1
22114	HUB, GW MTN TR3 FRNT 100/15 28	1
22420	SPOKE, SPM SPRINT SP 297MM BLK	14
22422	SPOKE, SPM SPRINT SP 299MM BLK	14
20355	NIPPLE, EXT BLACK BRASS SQ HEAD	28
21986	DECAL, 29 TR309 WHITE	0.5
20007	DECAL, NOT INTENDED FOR RB USE	1
20008	DECAL, REGISTER WHEELS	1
20332	WHEEL RAP HANG TAG	1
20120	BOX, TW DBLE WHL RNLD WIDE29er	0.5
78854	W, 29 TR309 SHIM 28H	1
58922	D RIM, 29 WD PAC ASYM 28H 5°	1
21886	RIM TAPE, TL 30MM 5.5M INSTALED	1
22116	HUB, GW MTN TR3 SHIM 142/12 28	1
22420	SPOKE, SPM SPRINT SP 297MM BLK	14
22424	SPOKE, SPM SPRINT SP 301MM BLK	14
20355	NIPPLE, EXT BLACK BRASS SQ HEAD	28
21986	DECAL, 29 TR309 WHITE	0.5
20007	DECAL, NOT INTENDED FOR RB USE	1
20008	DECAL, REGISTER WHEELS	1
20332	WHEEL RAP HANG TAG	1
20120	BOX, TW DBLE WHL RNLD WIDE29er	0.5
85513	W ACC KIT, MTN ASYM TL FRONT	1
3040	9 X 12 X 4MIL ZIP LOCK BAG	1
20333	REYNOLDS NEW PROD WEBSITE CARD	1
20904	VALVE STEM, AM 45MM LONG	1
21287	LOCK RING, CENTER LOCK	1
21289	ADAPTER, CL TO IS6-BOLT	1
85514	W ACC KIT, MTN ASYM TL REAR	1
3040	9 X 12 X 4MIL ZIP LOCK BAG	1
20333	REYNOLDS NEW PROD WEBSITE CARD	1
20904	VALVE STEM, AM 45MM LONG	1
21287	LOCK RING, CENTER LOCK	1
21289	ADAPTER, CL TO IS6-BOLT	1

WARNING: The information contained herein is proprietary and confidential to Reynolds Cycling and Reynolds Cycling affiliates. This document is not intended for public distribution or disclosure. This document may be referenced and reproduced for and by Reynolds Cycling and Reynolds Cycling affiliates only.



TR 309 S MOUNTAIN



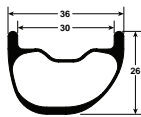
FREEHUB OPTIONS

20783	O-RING, GW DB END CAPS
22099	SPACER, GW, RED 17.5*15*2.1 mm
22122	END CAP, GW DB FRNT 15MM TA
22128	END CAP, GW DB R 12/142 TA
22148	FREEHUB, GW MTN SHIM 6 PAWL
22149	FREEHUB, GW MTN XD 6 PAWL
22519	FREEHUB, GW TR6 MS 6 PAWL
22158	AXLE, FOR GW DB REAR 15/12/135
22164	AXLE GW 148 BST 15/12/131 CrMo
22169	AXLE, CrMo GW DB REAR 15/12/13
22176	AXLE GW 157SBST 15/12/140 CrMo
22162	SPACER, GW REAR AXLE
22163	SEAL, GW REAR HUB NDS

78751	WS, 29 TR309s SHIM 28/28	
78753	W, 29 TR309s FRNT 28H	1
58922	D RIM, 29 WD PAC ASYM 28H 5°	1
21886	RIM TAPE, TL 30MM 5.5M INSTALED	1
22136	HUB, GW MTN CL FRNT 100/15 28H	1
22490	SPOKE, SPM CXDELTA 300MM SP BLK	28
20311	NIPPLE, EXT BLACK ALLOY SQ HEAD	28
21976	DECAL, 29 TR309s GRAY	1
81203	DECAL KIT, TR309s - 5 COLORS	1
20007	DECAL, NOT INTENDED FOR RB USE	1
20008	DECAL, REGISTER WHEELS	1
20332	WHEEL RAP HANG TAG	1
20120	BOX, TW DBLE WHL RNLD WIDE29er	0.5
78754	W, 29 TR309s SHIM 28H	1
58922	D RIM, 29 WD PAC ASYM 28H 5°	1
21886	RIM TAPE, TL 30MM 5.5M INSTALED	1
22138	HUB, GW MTN CL SHIM 142/12 28H	1
22490	SPOKE, SPM CXDELTA 300MM SP BLK	28
20311	NIPPLE, EXT BLACK ALLOY SQ HEAD	28
21976	DECAL, 29 TR309s GRAY	1
81203	DECAL KIT, TR309s - 5 COLORS	1
20007	DECAL, NOT INTENDED FOR RB USE	1
20008	DECAL, REGISTER WHEELS	1
20332	WHEEL RAP HANG TAG	1
20120	BOX, TW DBLE WHL RNLD WIDE29er	0.5
85513	W ACC KIT, MTN ASYM TL FRONT	1
3040	9 X 12 X 4MIL ZIP LOCK BAG	1
20333	REYNOLDS NEW PROD WEBSITE CARD	1
21287	LOCK RING, CENTER LOCK	1
21289	ADAPTER, CL TO IS6-BOLT	1
85514	W ACC KIT, MTN ASYM TL REAR	1
3040	9 X 12 X 4MIL ZIP LOCK BAG	1
20333	REYNOLDS NEW PROD WEBSITE CARD	1
20904	VALVE STEM, AM 45MM LONG	1
21287	LOCK RING, CENTER LOCK	1
21289	ADAPTER, CL TO IS6-BOLT	1

WARNING: The information contained herein is proprietary and confidential to Reynolds Cycling and Reynolds Cycling affiliates. This document is not intended for public distribution or disclosure. This document may be referenced and reproduced for and by Reynolds Cycling and Reynolds Cycling affiliates only.

TR 367 MOUNTAIN



FREEHUB OPTIONS

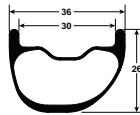
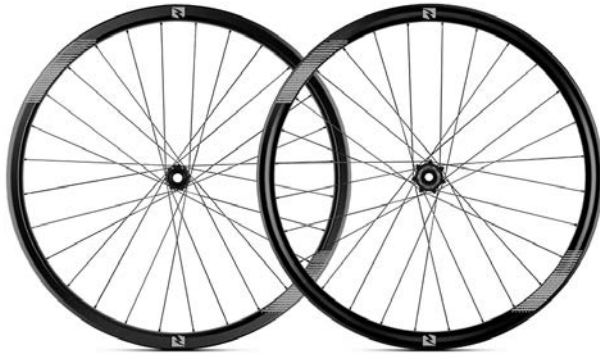
20783	O-RING, GW DB END CAPS
22099	SPACER, GW, RED 17.5*15*2.1 mm
22121	END CAP, GW DB FRNT 12MM TA
22128	END CAP, GW DB R 12/142 TA
22150	FREEHUB, GW MTN SHIM 4 PAWL
22146	FREEHUB, GW XD 11 SPD 4 PAWL
22518	FREEHUB, GW TR3 MS 4 PAWL
22158	AXLE, FOR GW DB REAR 15/12/135
22164	AXLE GW 148 BST 15/12/131 CrMo
22169	AXLE, CrMo GW DB REAR 15/12/13
22176	AXLE GW 157SBST 15/12/140 CrMo
22162	SPACER, GW REAR AXLE
22163	SEAL, GW REAR HUB NDS

78826	WS, 27.5 TR367 BST SHIM 28/28	
81260	D RIM, 27.5 PLUS PAC 28H	1
20918	RIM TAPE, TL 22MM 5.5M INSTALED	1
22115	HUB, GW MTN TR3 FRNT 110/15 28	1
22413	SPOKE, SPM SPRINT SP 281MM BLK	28
20355	NIPPLE, EXT BLACK BRASS SQ HEAD	28
21988	DECAL, 27.5 TR367 WHITE	0.5
20007	DECAL, NOT INTENDED FOR RB USE	1
20008	DECAL, REGISTER WHEELS	1
20332	WHEEL RAP HANG TAG	1
20120	BOX, TW DBLE WHL RNLD WIDE29er	0.5
78829	W, 27.5 TR367 BST SHIM 28H	1
81260	D RIM, 27.5 PLUS PAC 28H	1
20918	RIM TAPE, TL 22MM 5.5M INSTALED	1
22118	HUB, GW MTN TR3 SHIM 148/12 28	1
22411	SPOKE, SPM SPRINT SP 279MM BLK	14
22414	SPOKE, SPM SPRINT SP 282MM BLK	14
20355	NIPPLE, EXT BLACK BRASS SQ HEAD	28
21988	DECAL, 27.5 TR367 WHITE	0.5
20007	DECAL, NOT INTENDED FOR RB USE	1
20008	DECAL, REGISTER WHEELS	1
20332	WHEEL RAP HANG TAG	1
20120	BOX, TW DBLE WHL RNLD WIDE29er	0.5
85513	W ACC KIT, MTN ASYM TL FRONT	1
3040	9 X 12 X 4MIL ZIP LOCK BAG	1
20333	REYNOLDS NEW PROD WEBSITE CARD	1
20904	VALVE STEM, AM 45MM LONG	1
21287	LOCK RING, CENTER LOCK	1
21289	ADAPTER, CL TO IS6-BOLT	1
85514	W ACC KIT, MTN ASYM TL REAR	1
3040	9 X 12 X 4MIL ZIP LOCK BAG	1
20333	REYNOLDS NEW PROD WEBSITE CARD	1
20904	VALVE STEM, AM 45MM LONG	1
21287	LOCK RING, CENTER LOCK	1
21289	ADAPTER, CL TO IS6-BOLT	1

WARNING: The information contained herein is proprietary and confidential to Reynolds Cycling and Reynolds Cycling affiliates. This document is not intended for public distribution or disclosure. This document may be referenced and reproduced for and by Reynolds Cycling and Reynolds Cycling affiliates only.



TR 367 S MOUNTAIN



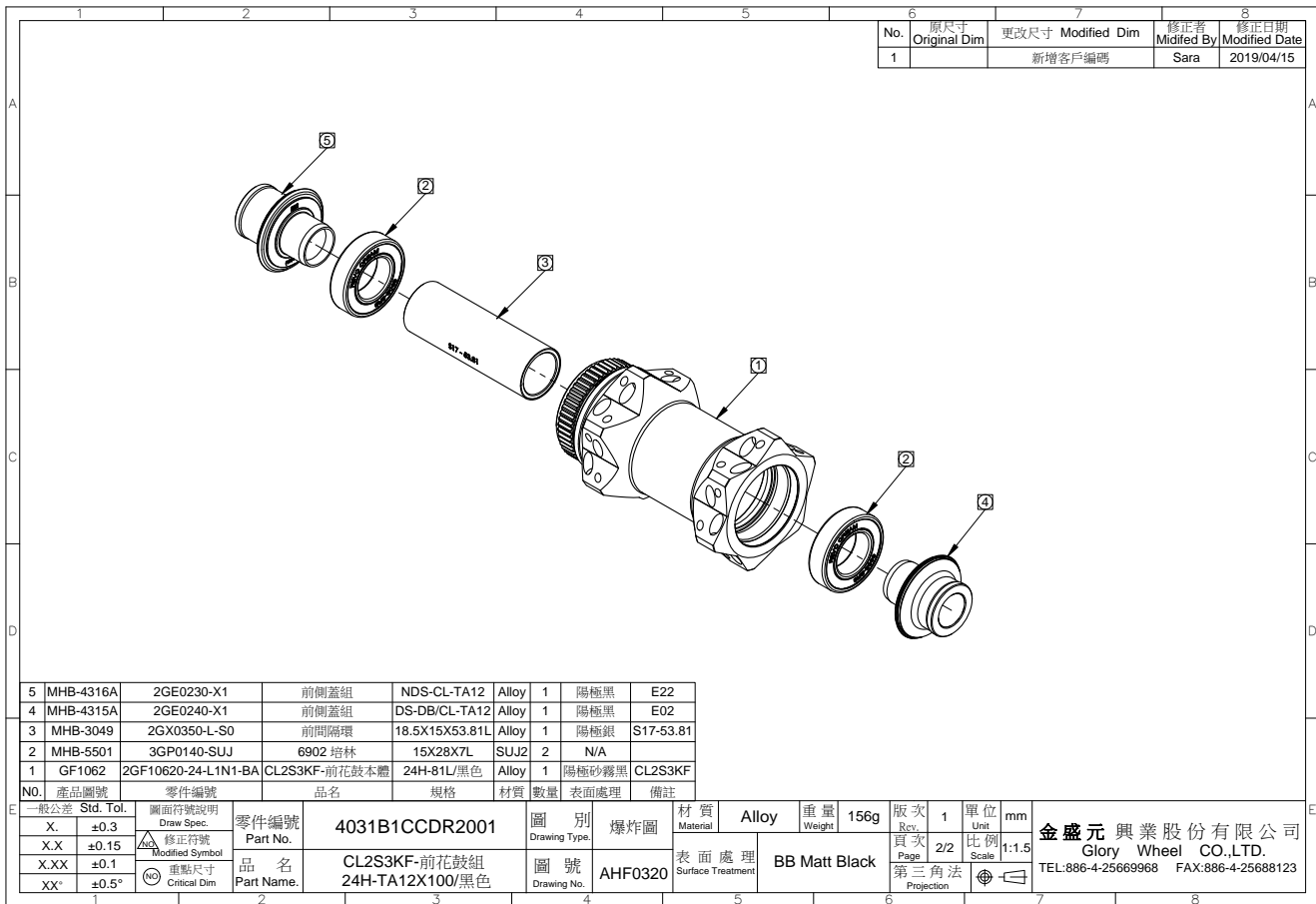
FREEHUB OPTIONS

20783	O-RING, GW DB END CAPS
22099	SPACER, GW, RED 17.5*15*2.1 mm
22122	END CAP, GW DB FRNT 15MM TA
22128	END CAP, GW DB R 12/142 TA
22148	FREEHUB, GW MTN SHIM 6 PAWL
22149	FREEHUB, GW MTN XD 6 PAWL
22519	FREEHUB, GW TR6 MS 6 PAWL
22158	AXLE, FOR GW DB REAR 15/12/135
22164	AXLE GW 148 BST 15/12/131 CrMo
22169	AXLE, CrMo GW DB REAR 15/12/13
22176	AXLE GW 157SBST 15/12/140 CrMo
22162	SPACER, GW REAR AXLE
22163	SEAL, GW REAR HUB NDS

78726	WS, 27.5 TR367s BST SHIM 28/28	
78828	W, 27.5 TR367 BST FRNT 28H	1
81260	D RIM, 27.5 PLUS PAC 28H	1
20918	RIM TAPE, TL 22MM 5.5M INSTALED	1
22115	HUB, GW MTN TR3 FRNT 110/15 28	1
22413	SPOKE, SPM SPRINT SP 281MM BLK	28
20355	NIPPLE, EXT BLACK BRASS SQ HEAD	28
21988	DECAL, 27.5 TR367 WHITE	0.5
20007	DECAL, NOT INTENDED FOR RB USE	1
20008	DECAL, REGISTER WHEELS	1
20332	WHEEL RAP HANG TAG	1
20120	BOX, TW DBLE WHL RNLD WIDE29er	0.5
78829	W, 27.5 TR367 BST SHIM 28H	1
81260	D RIM, 27.5 PLUS PAC 28H	1
20918	RIM TAPE, TL 22MM 5.5M INSTALED	1
22118	HUB, GW MTN TR3 SHIM 148/12 28	1
22411	SPOKE, SPM SPRINT SP 279MM BLK	14
22414	SPOKE, SPM SPRINT SP 282MM BLK	14
20355	NIPPLE, EXT BLACK BRASS SQ HEAD	28
21988	DECAL, 27.5 TR367 WHITE	0.5
20007	DECAL, NOT INTENDED FOR RB USE	1
20008	DECAL, REGISTER WHEELS	1
20332	WHEEL RAP HANG TAG	1
20120	BOX, TW DBLE WHL RNLD WIDE29er	0.5
85513	W ACC KIT, MTN ASYM TL FRONT	1
3040	9 X 12 X 4MIL ZIP LOCK BAG	1
20333	REYNOLDS NEW PROD WEBSITE CARD	1
20904	VALVE STEM, AM 45MM LONG	1
21287	LOCK RING, CENTER LOCK	1
21289	ADAPTER, CL TO IS6-BOLT	1
85514	W ACC KIT, MTN ASYM TL REAR	1
3040	9 X 12 X 4MIL ZIP LOCK BAG	1
20333	REYNOLDS NEW PROD WEBSITE CARD	1
20904	VALVE STEM, AM 45MM LONG	1
21287	LOCK RING, CENTER LOCK	1
21289	ADAPTER, CL TO IS6-BOLT	1

WARNING: The information contained herein is proprietary and confidential to Reynolds Cycling and Reynolds Cycling affiliates. This document is not intended for public distribution or disclosure. This document may be referenced and reproduced for and by Reynolds Cycling and Reynolds Cycling affiliates only.

TR3 MNT CARBON DISC FRONT HUB



WARNING: The information contained herein is proprietary and confidential to Reynolds Cycling and Reynolds Cycling affiliates. This document is not intended for public distribution or disclosure. This document may be referenced and reproduced for and by Reynolds Cycling and Reynolds Cycling affiliates only.



TR6 MNT CARBON DISC FRONT HUB

No.	原尺寸 Original Dim	更改尺寸 Modified Dim	修正者 Mifid By	修正日期 Modified Date
1		新增客戶編碼	Sara	2019/04/15

5	MHB-4317A	2GE0220-X1	前側蓋組	NDS-CL-TA15	Alloy	1	陽極黑	E20
4	MHB-4303A	2GE0130-X1	前側蓋組	DS-DB/CL-TA15	Alloy	1	陽極黑	E01
3	MHB-3051	2GX0360-L-S0	前間隔環	18.5X15X63.81	Alloy	1	陽極銀	S19-63.81
2	MHB-5501	3GP0140-SUJ	6902 培林	15X28X7L	SUJ2	2	N/A	
1	GF1063	2GF10630-28-L1N1-BA	CL2S2KBF-前花鼓本體	28H-91L/黑色	Alloy	1	陽極砂霧黑	CL2S2KBF

NO.	產品圖號	零件編號	品名	規格	材質	數量	表面處理	備註
1	1FG092005	1FG092005	前花鼓組	28H-91L/黑色	Alloy	1	BB Matt Black	

一般公差	Std. Tol.	圖面符號說明	Draw Spec.	零件編號	Part No.	圖別	Drawing Type.	材質	Material	重量	Weight	版次	Rev.	單位	Unit	比例	Scale	金盛元興業股份有限公司
X.	±0.3	修正符號	Modified Symbol	1FG092005	1FG092005	爆炸圖	Exploded View	Alloy	Alloy	131g	131g	1	1	mm	mm	1:1.5	1:1.5	Glory Wheel CO.,LTD.
X.X	±0.15	重點尺寸	Critical Dim	CL2S2KBF-前花鼓組	CL2S2KBF-前花鼓組	圖號	Drawing No.	表面處理	Surface Treatment	BB Matt Black	BB Matt Black	2/2	2/2	第三角法	Third Angle Projection	比例	Scale	TEL:886-4-25669968 FAX:886-4-25688123
X.XX	±0.1			28H-TA15X110/黑色	28H-TA15X110/黑色	AHF0093	AHF0093											
XX*	±0.5°																	

WARNING: The information contained herein is proprietary and confidential to Reynolds Cycling and Reynolds Cycling affiliates. This document is not intended for public distribution or disclosure. This document may be referenced and reproduced for and by Reynolds Cycling and Reynolds Cycling affiliates only.

TR3 MNT CARBON DISC REAR HUB

No.	原尺寸 Original Dim	更改尺寸 Modified Dim	修正者 Modified By	修正日期 Modified Date
1		新增客戶編碼	Sara	2019/04/15

NO.	產品圖號	零件編號	品名	規格	材質	數量	表面處理	備註
10	MHB-4013A	2GE0190-X1	後側蓋組	NDS-CL-TA12	Alloy	1	陽極黑	E19
9	MHB-4004A	2GE0040-X1	後側蓋組	DS-DB/CL-TA12	Alloy	1	陽極黑	E16
8	MHB-2001	4GP0060-P08	棘輪側蓋防水圈	Shimano & CL用	SPCC+NBR	1	N/A	
7	MHB-2040A	2GC0050-X1-L	棘輪組	禧瑪諾 2-4X1/黑色	Alloy	1	陽極砂黑	4X1P/2-B
6	MHB-3501	2GX0020-L969-S0	花鼓鋁軸心	15X12X131L	Alloy	1	陽極銀	A02-131
5	MHB-2002	4GP0072-P08	棘輪油封	45X38X2.8L	SPCC+NBR	1	Black	G1707W
4	GP009	2GP0090-K1	36T 內齒環	M43XP1.0-8L	CrMo	1	Black	
3	MHB-3017	2GX0380-L-S0	後側隔環	18.5X15X45.35L	Alloy	1	陽極銀	S29-45.35
2	MHB-5501	3GP0140-SUJ	6902 培林	15X28X7L	SUJ2	2	N/A	
1	GR1114	2GR11140-28-L1N1-BA	CL2S3KBR-後花鼓本體	28H-80.5L/黑色	Alloy	1	陽極砂霧黑	CL2S3KBR

一般公差	Std. Tol.	圖面符號說明	Draw Spec.	零件編號	Part No.	圖別	Drawing Type.	材質	Material	重量	Weight	版次	Rev.	單位	Unit	金盛元 興業股份有限公司 Glory Wheel CO.,LTD. TEL:886-4-25669968 FAX:886-4-25688123
X.	±0.3	修正符號	Modified Symbol	品名	Part Name.	圖號	Drawing No.	表面處理	Surface Treatment	280g		1		mm	比例 Scale 1:2	
X.X	±0.15	重點尺寸	Critical Dim	CL2S3KBR-後花鼓組		AHR0259		BB Matt BLK				2/2				
X.XX	±0.1	第三角法	Projection	28H-TA12X148 禧瑪諾2-4X1												
XX*	±0.5°															

WARNING: The information contained herein is proprietary and confidential to Reynolds Cycling and Reynolds Cycling affiliates. This document is not intended for public distribution or disclosure. This document may be referenced and reproduced for and by Reynolds Cycling and Reynolds Cycling affiliates only.



TR6 MNT CARBON DISC REAR HUB

6		7		8	
No.	原尺寸 Original Dim	更改尺寸 Modified Dim	修正者 Modified By	修正日期 Modified Date	
1		新增客戶編碼	Sara	2019/04/15	

10	MHB-4013A	2GE0190-X1	後側蓋組	NDS-CL-TA12	Alloy	1	陽極黑	E19
9	MHB-4004A	2GE0040-X1	後側蓋組	DS-DB/CL-TA12	Alloy	1	陽極黑	E16
8	MHB-2001	4GP0060-P08	棘輪側蓋防水圈	Shimano & CL用	SPCC+NBR	1	N/A	
7	GC014A	2GC0140-3X2-L01D-SG	棘輪組	禧瑪諾 3-3X2/灰色	Alloy	1	陽極砂灰	3X2P/3-B
6	MHB-3501	2GX0020-L969-S0	花鼓鋁軸心	15X12X131L	Alloy	1	陽極銀	A02-131
5	MHB-2002	4GP0072-P08	棘輪油封	45X38X2.8L	SPCC+NBR	1	Black	G1707W
4	GP009	2GP0090-K1	36T 內齒環	M43XP1.0-8L	CrMo	1	Black	
3	MHB-3017	2GX0380-L-S0	後間隔環	18.5X15X45.35L	Alloy	1	陽極銀	S29-45.35
2	MHB-5501	3GP0140-SUJ	6902 培林	15X28X7L	SUJ2	2	N/A	
1	GR1063	2GR10630-28-L1N1-BA	CL2S2KBR-後花鼓本體	28H-80.5L/黑色	Alloy	1	陽極砂霧黑	CL2S2KBR

NO.	產品圖號	零件編號	品名	規格	材質	數量	表面處理	備註
1	4032B2CCEA01R2001		CL2S2KBR-後花鼓組	28H-TA12X148/黑色/禧瑪諾 3-3X2	Alloy	1	BB Matt Black	

一般公差	Std. Tol.	圖面符號說明	零件編號	圖別	材質	重量	版次	單位	金盛元 興業股份有限公司 Glory Wheel CO.,LTD. TEL:886-4-25669968 FAX:886-4-25688123
X.	±0.3	Draw Spec.	4032B2CCEA01R2001	爆炸圖	Alloy	272g	Rev. 1	mm	
X.X	±0.15	修正符號		圖號	表面處理		頁次 2/2	比例 1:2	
X.XX	±0.1	Modified Symbol		AHR0216	Surface Treatment		Page 第三角法	Scale	
XX*	±0.5°	重點尺寸					Projection		

WARNING: The information contained herein is proprietary and confidential to Reynolds Cycling and Reynolds Cycling affiliates. This document is not intended for public distribution or disclosure. This document may be referenced and reproduced for and by Reynolds Cycling and Reynolds Cycling affiliates only.

HAYES

manitou

PROTAPER

REYNOLDS

SUN ringle

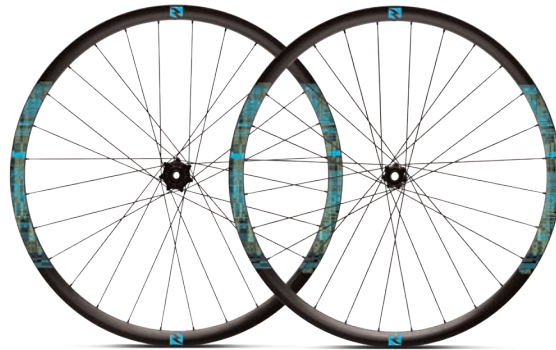
WHEELS

HAYESBICYCLE.COM

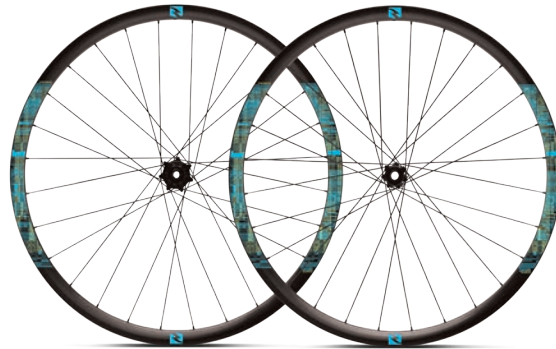
HAYES PERFORMANCE SYSTEMS

Modification Date July 22, 2019

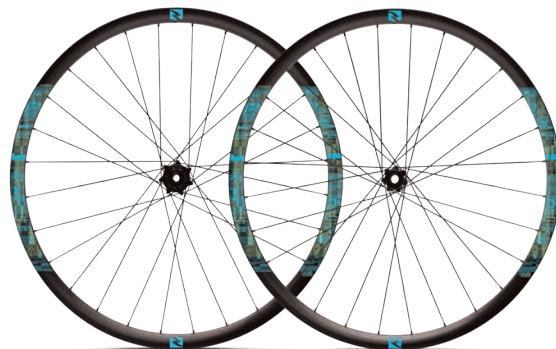
TRE MOUNTAIN WHEELS



TR 307 E



TR 309 E

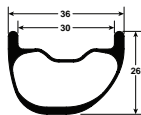
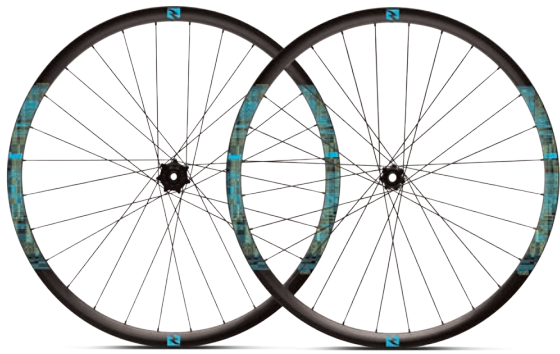


TR 367 E

WARNING: The information contained herein is proprietary and confidential to Reynolds Cycling and Reynolds Cycling affiliates. This document is not intended for public distribution or disclosure. This document may be referenced and reproduced for and by Reynolds Cycling and Reynolds Cycling affiliates only.



TR 307 E MOUNTAIN



FREEHUB OPTIONS

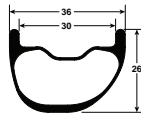
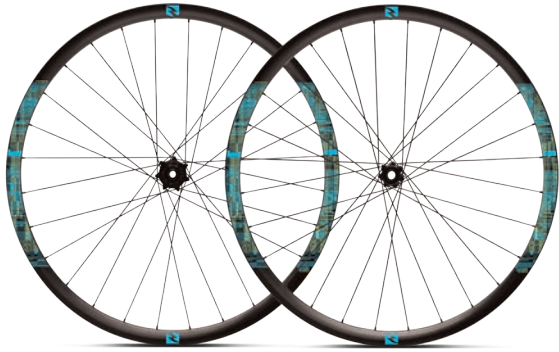
20783	O-RING, GW DB END CAPS
22099	SPACER, GW, RED 17.5*15*2.1 mm
22122	END CAP, GW DB FRNT 15MM TA
22169	AXLE, CrMo GW DB REAR 15/12/13
22176	AXLE GW 157SBST 15/12/140 CrMo
22152	FREEHUB, GW TRe SHIM 6 PAWL
22153	FREEHUB, GW TRe XD 6 PAWL
22520	FREEHUB, GW TRe MS 6 PAWL
22162	SPACER, GW REAR AXLE
22163	SEAL, GW REAR HUB NDS

78901	WS, 27.5 TR307e 148 SHIM 32/32	
78903	W, 27.5 TR307e 110 FRNT 32H	1
58904	D RIM, 27.5 WD PAC ASYM 32H 5°	1
21886	RIM TAPE, TL 30MM 5.5M INSTALED	1
22170	HUB, GW MTN TRe FRNT 110/15 32	1
22458	SPOKE, SPM E-LITE JB 270MM BLK	32
20355	NIPPLE, EXT BLACK BRASS SQ HEAD	32
21990	DECAL, 27.5 TR307e GRAY	1
20007	DECAL, NOT INTENDED FOR RB USE	1
20008	DECAL, REGISTER WHEELS	1
20332	WHEEL RAP HANG TAG	1
20120	BOX, TW DBLE WHL RNLD WIDE29er	0.5
78904	W, 27.5 TR307e 148 SHIM 32H	1
58904	D RIM, 27.5 WD PAC ASYM 32H 5°	1
21886	RIM TAPE, TL 30MM 5.5M INSTALED	1
22172	HUB, GW MTN TRe SHIM 148/12 32	1
22458	SPOKE, SPM E-LITE JB 270MM BL	16
22459	SPOKE, SPM E-LITE JB 271MM BL	16
20355	NIPPLE, EXT BLACK BRASS SQ HEAD	32
21990	DECAL, 27.5 TR307e GRAY	1
20007	DECAL, NOT INTENDED FOR RB USE	1
20008	DECAL, REGISTER WHEELS	1
20332	WHEEL RAP HANG TAG	1
20120	BOX, TW DBLE WHL RNLD WIDE29er	0.5
85513	W ACC KIT, MTN ASYM TL FRONT	1
3040	9 X 12 X 4MIL ZIP LOCK BAG	1
20333	REYNOLDS NEW PROD WEBSITE CARD	1
20904	VALVE STEM, AM 45MM LONG	1
21287	LOCK RING, CENTER LOCK	1
21289	ADAPTER, CL TO IS6-BOLT	1
85514	W ACC KIT, MTN ASYM TL REAR	1
3040	9 X 12 X 4MIL ZIP LOCK BAG	1
20333	REYNOLDS NEW PROD WEBSITE CARD	1
20904	VALVE STEM, AM 45MM LONG	1
21287	LOCK RING, CENTER LOCK	1
21289	ADAPTER, CL TO IS6-BOLT	1

WARNING: The information contained herein is proprietary and confidential to Reynolds Cycling and Reynolds Cycling affiliates. This document is not intended for public distribution or disclosure. This document may be referenced and reproduced for and by Reynolds Cycling and Reynolds Cycling affiliates only.



TR 307 E MOUNTAIN BOOST + 157



78906	WS, 27.5 TR307e 157 SHIM 32/32	
78903	W, 27.5 TR307e 110 FRNT 32H	1.00
57904	D RIM, 27.5 WD PAC ASYM 32H 5°	1.00
20355	NIPPLE,EXT BLACK BRASS SQ HEAD	32.00
21886	RIM TAPE,TL 30MM 5.5M INSTALED	1.00
21990	DECAL, 27.5 TR307e GRAY	1.00
22170	HUB, GW MTN TRe FRNT 110/15 32	1.00
22458	SPOKE, SPM E-LITE JB 270MM BLK	32.00
85513	W ACC KIT, MTN ASYM TL FRONT	1.00
78909	W, 27.5 TR307e 157 SHIM 32H	1.00
57904	D RIM, 27.5 WD PAC ASYM 32H 5°	1.00
20355	NIPPLE,EXT BLACK BRASS SQ HEAD	32.00
21886	RIM TAPE,TL 30MM 5.5M INSTALED	1.00
21990	DECAL, 27.5 TR307e GRAY	1.00
22174	HUB, GW MTN TRe SHIM 157/12 32	1.00
22458	SPOKE, SPM E-LITE JB 270MM BLK	32.00
85514	W ACC KIT, MTN ASYM TL REAR	1.00
78907	WS, 27.5 TR307e 157 XD 32/32	
78903	W, 27.5 TR307e 110 FRNT 32H	1.00
78910	W, 27.5 TR307e 157 XD 32H	1.00
57904	D RIM, 27.5 WD PAC ASYM 32H 5°	1.00
20355	NIPPLE,EXT BLACK BRASS SQ HEAD	32.00
21886	RIM TAPE,TL 30MM 5.5M INSTALED	1.00
21990	DECAL, 27.5 TR307e GRAY	1.00
22175	HUB, GW MTN TRe XD 157/12 32	1.00
22458	SPOKE, SPM E-LITE JB 270MM BLK	32.00
85514	W ACC KIT, MTN ASYM TL REAR	1.00

FREEHUB OPTIONS

20783	O-RING, GW DB END CAPS
22099	SPACER, GW, RED 17.5*15*2.1 mm
22122	END CAP, GW DB FRNT 15MM TA
22169	AXLE, CrMo GW DB REAR 15/12/13
22176	AXLE GW 157SBST 15/12/140 CrMo
22152	FREEHUB, GW TRe SHIM 6 PAWL
22153	FREEHUB, GW TRe XD 6 PAWL
22520	FREEHUB, GW TRe MS 6 PAWL
22162	SPACER, GW REAR AXLE
22163	SEAL, GW REAR HUB NDS

WARNING: The information contained herein is proprietary and confidential to Reynolds Cycling and Reynolds Cycling affiliates. This document is not intended for public distribution or disclosure. This document may be referenced and reproduced for and by Reynolds Cycling and Reynolds Cycling affiliates only.

HAYES

manitou

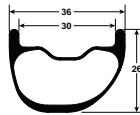
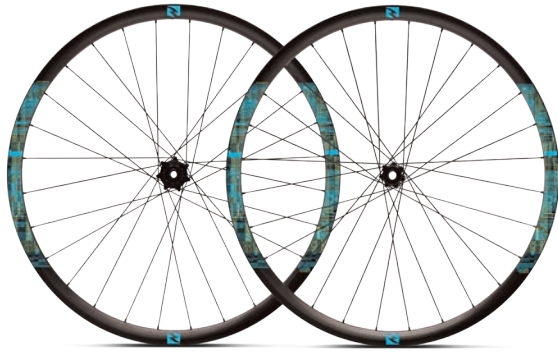
PRO TAPE

REYNOLDS

SUN
ringle

WHEELS
W
POCKET

TR 309 E MOUNTAIN



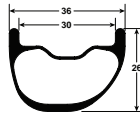
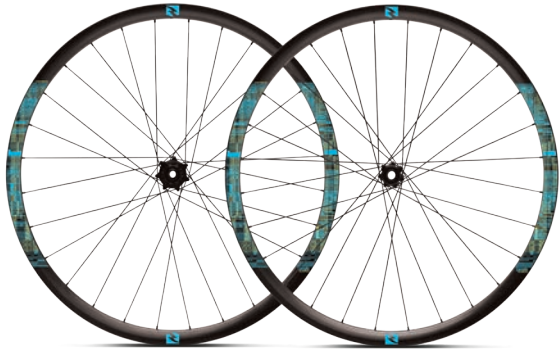
FREEHUB OPTIONS

20783	O-RING, GW DB END CAPS
22099	SPACER, GW, RED 17.5*15*2.1 mm
22122	END CAP, GW DB FRNT 15MM TA
22169	AXLE, CrMo GW DB REAR 15/12/13
22176	AXLE GW 157SBST 15/12/140 CrMo
22152	FREEHUB, GW TRe SHIM 6 PAWL
22153	FREEHUB, GW TRe XD 6 PAWL
22520	FREEHUB, GW TRe MS 6 PAWL
22162	SPACER, GW REAR AXLE
22163	SEAL, GW REAR HUB NDS

78951	WS, 29 TR309e 148 SHIM 32/32	
78953	W, 29 TR309e 110 FRNT 32H	1
58924	D RIM, 29 WD PAC ASYM 32H 5°	1
21886	RIM TAPE, TL 30MM 5.5M INSTALED	1
22170	HUB, GW MTN TRe FRNT 110/15 32	1
22473	SPOKE, SPM E-LITE JB 290MM BL	32
20355	NIPPLE, EXT BLACK BRASS SQ HEAD	32
21991	DECAL, 29 TR309e GRAY	1
20007	DECAL, NOT INTENDED FOR RB USE	1
20008	DECAL, REGISTER WHEELS	1
20332	WHEEL RAP HANG TAG	1
20120	BOX, TW DBLE WHL RNLD WIDE29er	0.5
78954	W, 29 TR309e 148 SHIM 32H	1
58924	D RIM, 29 WD PAC ASYM 32H 5°	1
21886	RIM TAPE, TL 30MM 5.5M INSTALED	1
22172	HUB, GW MTN TRe SHIM 148/12 32	1
22473	SPOKE, SPM E-LITE JB 290MM BL	32
20355	NIPPLE, EXT BLACK BRASS SQ HEAD	32
21991	DECAL, 29 TR309e GRAY	1
20007	DECAL, NOT INTENDED FOR RB USE	1
20008	DECAL, REGISTER WHEELS	1
20332	WHEEL RAP HANG TAG	1
20120	BOX, TW DBLE WHL RNLD WIDE29er	0.5
85513	W ACC KIT, MTN ASYM TL FRONT	1
3040	9 X 12 X 4MIL ZIP LOCK BAG	1
20333	REYNOLDS NEW PROD WEBSITE CARD	1
20904	VALVE STEM, AM 45MM LONG	1
21287	LOCK RING, CENTER LOCK	1
21289	ADAPTER, CL TO IS6-BOLT	1
85514	W ACC KIT, MTN ASYM TL REAR	1
3040	9 X 12 X 4MIL ZIP LOCK BAG	1
20333	REYNOLDS NEW PROD WEBSITE CARD	1
20904	VALVE STEM, AM 45MM LONG	1
21287	LOCK RING, CENTER LOCK	1
21289	ADAPTER, CL TO IS6-BOLT	1

WARNING: The information contained herein is proprietary and confidential to Reynolds Cycling and Reynolds Cycling affiliates. This document is not intended for public distribution or disclosure. This document may be referenced and reproduced for and by Reynolds Cycling and Reynolds Cycling affiliates only.

TR 309 E MOUNTAIN BOOST + 157



FREEHUB OPTIONS

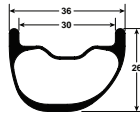
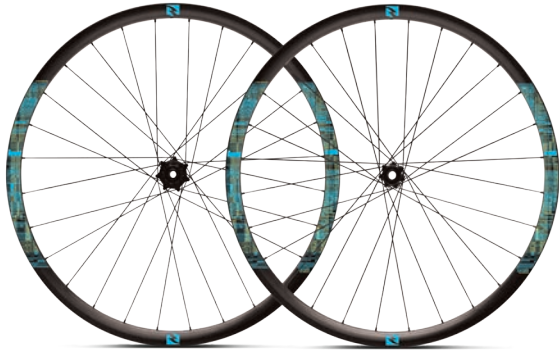
20783	O-RING, GW DB END CAPS
22099	SPACER, GW, RED 17.5*15*2.1 mm
22122	END CAP, GW DB FRNT 15MM TA
22169	AXLE, CrMo GW DB REAR 15/12/13
22176	AXLE GW 157SBST 15/12/140 CrMo
22152	FREEHUB, GW TRe SHIM 6 PAWL
22153	FREEHUB, GW TRe XD 6 PAWL
22520	FREEHUB, GW TRe MS 6 PAWL
22162	SPACER, GW REAR AXLE
22163	SEAL, GW REAR HUB NDS

78956	WS, 29 TR309e 157 SHIM 32/32	
78953	W, 29 TR309e 110 FRNT 32H	1.00
57924	D RIM, 29 WD PAC ASYM 32H 5°	1.00
20355	NIPPLE,EXT BLACK BRASS SQ HEAD	32.00
21886	RIM TAPE,TL 30MM 5.5M INSTALED	1.00
21991	DECAL, 29 TR309e GRAY	1.00
22170	HUB, GW MTN TRe FRNT 110/15 32	1.00
22473	SPOKE, SPM E-LITE JB 290MM BLK	32.00
85513	W ACC KIT, MTN ASYM TL FRONT	1.00
78959	W, 29 TR309e 157 SHIM 32H	1.00
57924	D RIM, 29 WD PAC ASYM 32H 5°	1.00
20355	NIPPLE,EXT BLACK BRASS SQ HEAD	32.00
21886	RIM TAPE,TL 30MM 5.5M INSTALED	1.00
21991	DECAL, 29 TR309e GRAY	1.00
22174	HUB, GW MTN TRe SHIM 157/12 32	1.00
22473	SPOKE, SPM E-LITE JB 290MM BLK	16.00
22474	SPOKE, SPM E-LITE JB 291MM BLK	16.00
85514	W ACC KIT, MTN ASYM TL REAR	1.00
78957	WS, 29 TR309e 157 XD 32/32	
78953	W, 29 TR309e 110 FRNT 32H	1.00
78960	W, 29 TR309e 157 XD 32H	1.00
57924	D RIM, 29 WD PAC ASYM 32H 5°	1.00
20355	NIPPLE,EXT BLACK BRASS SQ HEAD	32.00
21886	RIM TAPE,TL 30MM 5.5M INSTALED	1.00
21991	DECAL, 29 TR309e GRAY	1.00
22175	HUB, GW MTN TRe XD 157/12 32	1.00
22473	SPOKE, SPM E-LITE JB 290MM BLK	16.00
22474	SPOKE, SPM E-LITE JB 291MM BLK	16.00
85514	W ACC KIT, MTN ASYM TL REAR	1.00

WARNING: The information contained herein is proprietary and confidential to Reynolds Cycling and Reynolds Cycling affiliates. This document is not intended for public distribution or disclosure. This document may be referenced and reproduced for and by Reynolds Cycling and Reynolds Cycling affiliates only.



TR 367 E MOUNTAIN



FREEHUB OPTIONS

20783	O-RING, GW DB END CAPS
22099	SPACER, GW, RED 17.5*15*2.1 mm
22122	END CAP, GW DB FRNT 15MM TA
22169	AXLE, CrMo GW DB REAR 15/12/13
22176	AXLE GW 157SBST 15/12/140 CrMo
22152	FREEHUB, GW TRe SHIM 6 PAWL
22153	FREEHUB, GW TRe XD 6 PAWL
22520	FREEHUB, GW TRe MS 6 PAWL
22162	SPACER, GW REAR AXLE
22163	SEAL, GW REAR HUB NDS

78921	WS, 27.5 TR367e 148 SHIM 32/32	
78923	W, 27.5 TR367e 110 FRNT 32H	1
81280	D RIM, 27.5 PLUS PAC 32H	1
20918	RIM TAPE, TL 22MM 5.5M INSTALED	1
22170	HUB, GW MTN TRe FRNT 110/15 32	1
22458	SPOKE, SPM E-LITE JB 270MM BL	32
20355	NIPPLE, EXT BLACK BRASS SQ HEAD	32
21992	DECAL, 27.5 TR367e GRAY	1
20007	DECAL, NOT INTENDED FOR RB USE	1
20008	DECAL, REGISTER WHEELS	1
20332	WHEEL RAP HANG TAG	1
20120	BOX, TW DBLE WHL RNL D WIDE29er	0.5
78924	W, 27.5 TR367e 148 SHIM 32H	1
81280	D RIM, 27.5 PLUS PAC 32H	1
20918	RIM TAPE, TL 22MM 5.5M INSTALED	1
22172	HUB, GW MTN TRe SHIM 148/12 32	1
22456	SPOKE, SPM E-LITE JB 268MM BL	16
22458	SPOKE, SPM E-LITE JB 270MM BL	16
20355	NIPPLE, EXT BLACK BRASS SQ HEAD	32
21992	DECAL, 27.5 TR367e GRAY	1
20007	DECAL, NOT INTENDED FOR RB USE	1
20008	DECAL, REGISTER WHEELS	1
20332	WHEEL RAP HANG TAG	1
20120	BOX, TW DBLE WHL RNL D WIDE29er	0.5
85513	W ACC KIT, MTN ASYM TL FRONT	1
3040	9 X 12 X 4MIL ZIP LOCK BAG	1
20333	REYNOLDS NEW PROD WEBSITE CARD	1
20904	VALVE STEM, AM 45MM LONG	1
21287	LOCK RING, CENTER LOCK	1
21289	ADAPTER, CL TO IS6-BOLT	1
85514	W ACC KIT, MTN ASYM TL REAR	1
3040	9 X 12 X 4MIL ZIP LOCK BAG	1
20333	REYNOLDS NEW PROD WEBSITE CARD	1
20904	VALVE STEM, AM 45MM LONG	1
21287	LOCK RING, CENTER LOCK	1
21289	ADAPTER, CL TO IS6-BOLT	1

WARNING: The information contained herein is proprietary and confidential to Reynolds Cycling and Reynolds Cycling affiliates. This document is not intended for public distribution or disclosure. This document may be referenced and reproduced for and by Reynolds Cycling and Reynolds Cycling affiliates only.

HAYES

manitou

PRO TAPE

REYNOLDS

SUN
ringle

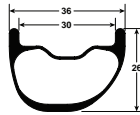
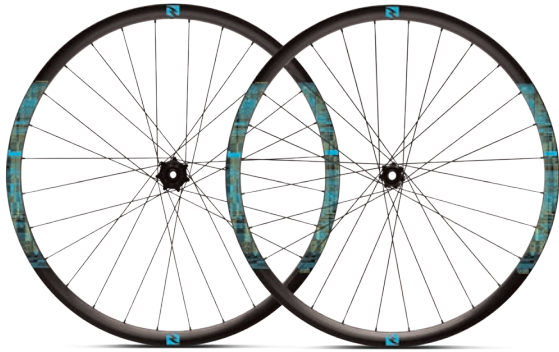
W
WHEELS

HAYESBICYCLE.COM

HAYES
PERFORMANCE SYSTEMS

Modification Date July 22, 2019

TR 367 E MOUNTAIN BOOST + 157



FREEHUB OPTIONS

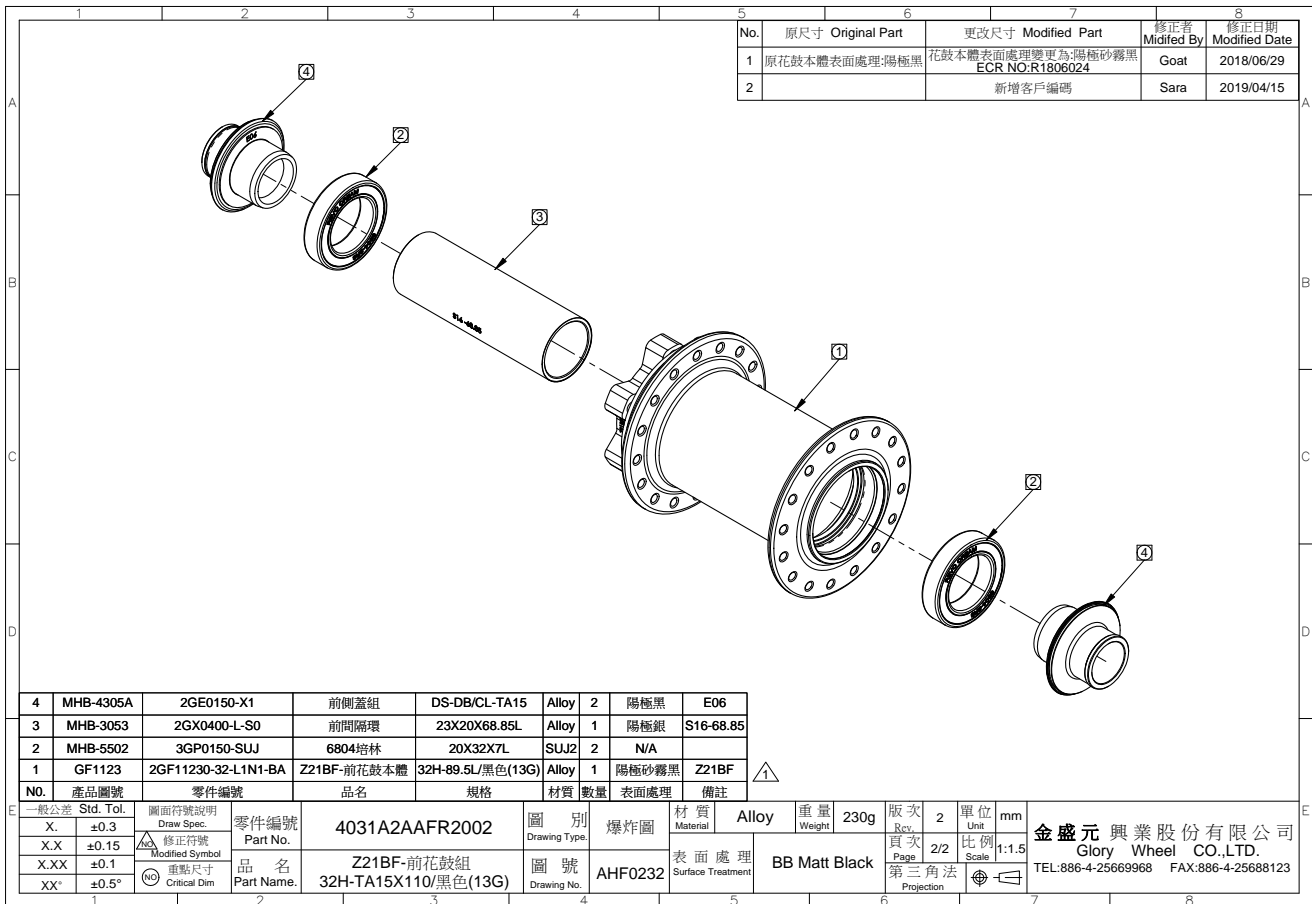
20783	O-RING, GW DB END CAPS
22099	SPACER, GW, RED 17.5*15*2.1 mm
22122	END CAP, GW DB FRNT 15MM TA
22169	AXLE, CrMo GW DB REAR 15/12/13
22176	AXLE GW 157SBST 15/12/140 CrMo
22152	FREEHUB, GW TRe SHIM 6 PAWL
22153	FREEHUB, GW TRe XD 6 PAWL
22520	FREEHUB, GW TRe MS 6 PAWL
22162	SPACER, GW REAR AXLE
22163	SEAL, GW REAR HUB NDS

78926	WS, 27.5 TR367e 157 SHIM 32/32	
78923	W, 27.5 TR367e 110 FRNT 32H	1.00
81280	D RIM, 27.5 PLUS PAC 32H	1.00
20355	NIPPLE,EXT BLACK BRASS SQ HEAD	32.00
20918	RIM TAPE,TL 22MM 5.5M INSTALED	1.00
21992	DECAL, 27.5 TR367e GRAY	1.00
22170	HUB, GW MTN TRe FRNT 110/15 32	1.00
22458	SPOKE, SPM E-LITE JB 270MM BLK	32.00
85513	W ACC KIT, MTN ASYM TL FRONT	1.00
78929	W, 27.5 TR367e 157 SHIM 32H	1.00
81280	D RIM, 27.5 PLUS PAC 32H	1.00
20355	NIPPLE,EXT BLACK BRASS SQ HEAD	32.00
20918	RIM TAPE,TL 22MM 5.5M INSTALED	1.00
21992	DECAL, 27.5 TR367e GRAY	1.00
22174	HUB, GW MTN TRe SHIM 157/12 32	1.00
22457	SPOKE, SPM E-LITE JB 269MM BLK	16.00
22458	SPOKE, SPM E-LITE JB 270MM BLK	16.00
85514	W ACC KIT, MTN ASYM TL REAR	1.00
78927	WS, 27.5 TR367e 157 XD 32/32	
78923	W, 27.5 TR367e 110 FRNT 32H	1.00
78930	W, 27.5 TR367e 157 XD 32H	1.00
81280	D RIM, 27.5 PLUS PAC 32H	1.00
20355	NIPPLE,EXT BLACK BRASS SQ HEAD	32.00
20918	RIM TAPE,TL 22MM 5.5M INSTALED	1.00
21992	DECAL, 27.5 TR367e GRAY	1.00
22175	HUB, GW MTN TRe XD 157/12 32	1.00
22457	SPOKE, SPM E-LITE JB 269MM BLK	16.00
22458	SPOKE, SPM E-LITE JB 270MM BLK	16.00
85514	W ACC KIT, MTN ASYM TL REAR	1.00

WARNING: The information contained herein is proprietary and confidential to Reynolds Cycling and Reynolds Cycling affiliates. This document is not intended for public distribution or disclosure. This document may be referenced and reproduced for and by Reynolds Cycling and Reynolds Cycling affiliates only.



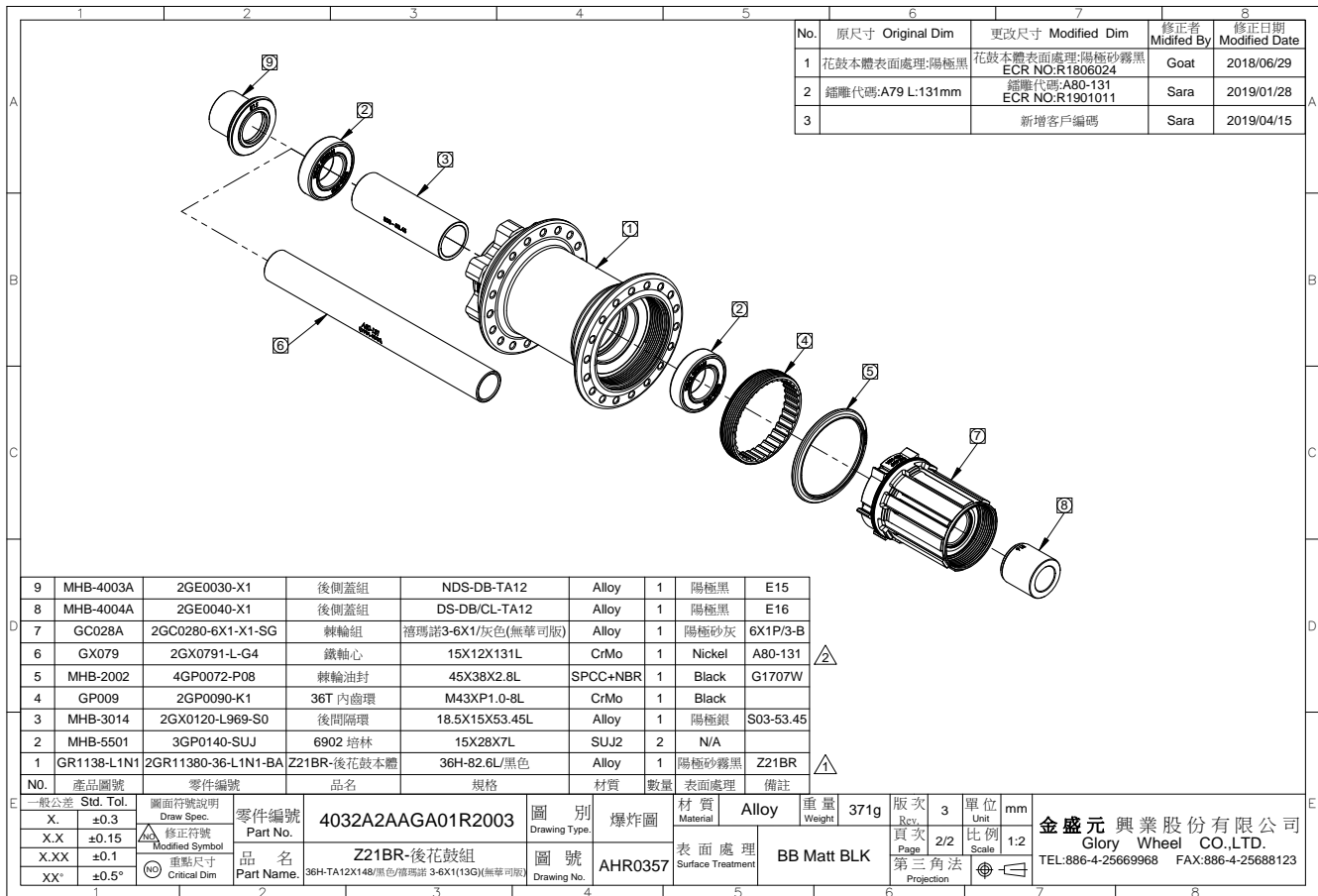
TRE MNT CARBON DISC FRONT HUB



WARNING: The information contained herein is proprietary and confidential to Reynolds Cycling and Reynolds Cycling affiliates. This document is not intended for public distribution or disclosure. This document may be referenced and reproduced for and by Reynolds Cycling and Reynolds Cycling affiliates only.



TRE MNT CARBON DISC REAR HUB



WARNING: The information contained herein is proprietary and confidential to Reynolds Cycling and Reynolds Cycling affiliates. This document is not intended for public distribution or disclosure. This document may be referenced and reproduced for and by Reynolds Cycling and Reynolds Cycling affiliates only.



GLOBAL HEADQUARTERS & HAYES BICYCLE GROUP USA

5800 W. Donges Bay Rd.
Mequon, WI 53092

HAYES BICYCLE GROUP EU

Dirnismaning 20 a
85748 Garching (b. Munich)
Germany

HAYES BICYCLE GROUP ASIA

16F, No. 37, Sec. 3
Mincyuan E. Rd.
Zhongshan District

HAYES BICYCLE GROUP ASIA

550 Jindi Road
Jinhua Industry Zone
Zhejiang, China, P.C. 321016

facebook.com/ReynoldsCycling
instagram.com/ReynoldsCycling



#CarbonWheelExperts

HAYES

manitou

PROTAPER

REYNOLDS

SUN
ringle

WHEELSMITH
SPOKES

HAYES
PERFORMANCE SYSTEMS