



REYNOLDS

2020/2021 TECHNICAL SERVICE MANUAL

TABLE OF CONTENTS

BLACK LABEL AERO WHEELSETS

AR & ARX ROAD RIM BRAKE WHEELSETS

AR & ARX ROAD DISC BRAKE WHEELSETS

ATR & ATRX WHEELSETS

BLACK LABEL MOUNTAIN WHEELSETS

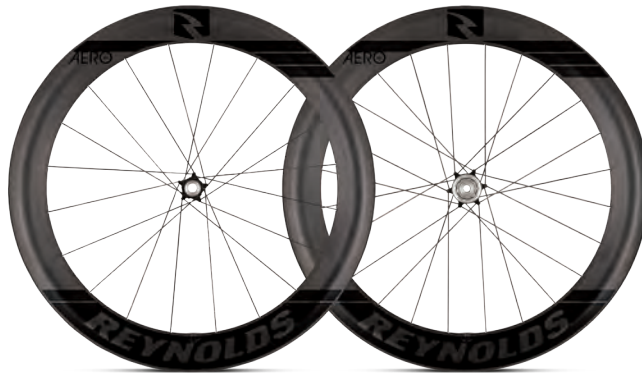
TR & TRS MOUNTAIN WHEELSETS

TRE MOUNTAIN WHEELSETS

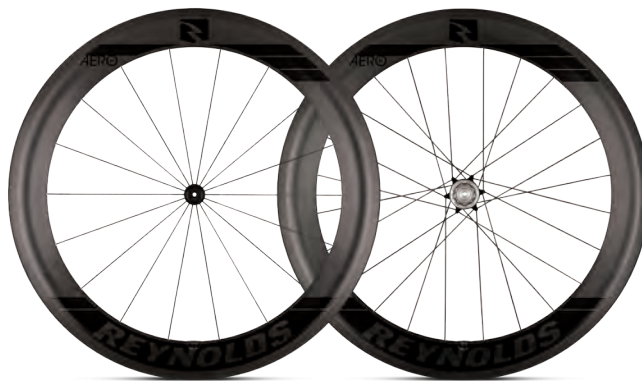
TRE ROAD WHEELSETS

WARNING: The information contained herein is proprietary and confidential to Reynolds Cycling and Reynolds Cycling affiliates. This document is not intended for public distribution or disclosure. This document may be referenced and reproduced for and by Reynolds Cycling and Reynolds Cycling affiliates only.

AERO RIM BRAKE ROAD WHEELS



AERO 65



AERO 80

WARNING: The information contained herein is proprietary and confidential to Reynolds Cycling and Reynolds Cycling affiliates. This document is not intended for public distribution or disclosure. This document may be referenced and reproduced for and by Reynolds Cycling and Reynolds Cycling affiliates only.

AERO 65 CLINCHER RIM BRAKE



FREEHUB OPTIONS

21862	HUB, FRONT AERO RB SP 18H
21793	SPACER, I9 REAR AXLE
21792	AXLE, I9 RB REAR CL 15/20/130
21912	END CAP, KT FRONT QR QL- LS9PF
21873	END CAP, I9 RB REAR QR 9X130
21856	FREEHUB, I9 RB/DB SHIM 10/11SP
21857	FREEHUB, I9 RB/DB XDR 11/12SPD
21858	FREEHUB, I9 RB/DB CAMPY 11 SPD
20158	BEARING, MR17287
20167	BEARING, ENDURO 61803 ABEC 5
20169	BEARING, ENDURO 61903 ABEC 5
21847	HUB I9 ROAD 3 PAWL SPRING KIT

77681	WS, 65 AERO C TL RB SHIM 18/24	
77683	W, 65 AERO C TL RB FRONT 18H	1.00
67683	D RIM, HIO AERO 65 C TL RB 18H	1.00
20915	RIM TAPE, TL 22MM 5.5M	1.00
21862	HUB, FRONT AERO RB SP 18H	1.00
21575	SPOKE, SPM CX-RAY SP 260MM BLK	18.00
20911	NIPPLE, HEX HIDDEN INTERNAL	18.00
85585	W ACC KIT, 65 AERO TL RB FRNT	1.00
85112	WHEEL BAG SINGLE, REYNOLDS	1.00
20333	REYNOLDS NEW PROD WEBSITE CARD	1.00
21786	VALVE STEM, TUBELESS 85MM LONG	1.00
20816	SKEWER, QR FRONT UPPER LEVEL	1.00
21880	BRAKE PAD, CRYO BL PWR SHIM (PAIR)	1.00
77684	W, 65 AERO C TL RB SHIMANO 24H	1.00
67684	D RIM, HIO AERO 65 C TL RB 24H	1.00
20915	RIM TAPE, TUBELESS 22MM 5.5 M	1.00
21863	HUB, I9 AERO RB SHIM SP 24H	1.00
21576	SPOKE, SPM CX-RAY 267MM SP BLK	12.00
21584	SPOKE, SPM CX-RAY 265MM SP BLK	12.00
20911	NIPPLE, HEX HIDDEN INTERNAL	24.00
85586	W ACC KIT, 65 AERO TL RB SHIM	1.00
20333	REYNOLDS NEW PROD WEBSITE CARD	1.00
21786	VALVE STEM, TUBELESS 85MM LONG	1.00
20817	SKEWER, QR REAR UPPER LEVEL	1.00
21880	BRAKE PAD, CRYO BL PWR SHIM PAIR	1.00
85112	WHEEL BAG SINGLE, REYNOLDS	1.00

WARNING: The information contained herein is proprietary and confidential to Reynolds Cycling and Reynolds Cycling affiliates. This document is not intended for public distribution or disclosure. This document may be referenced and reproduced for and by Reynolds Cycling and Reynolds Cycling affiliates only.

AERO 80 CLINCHER RIM BRAKE



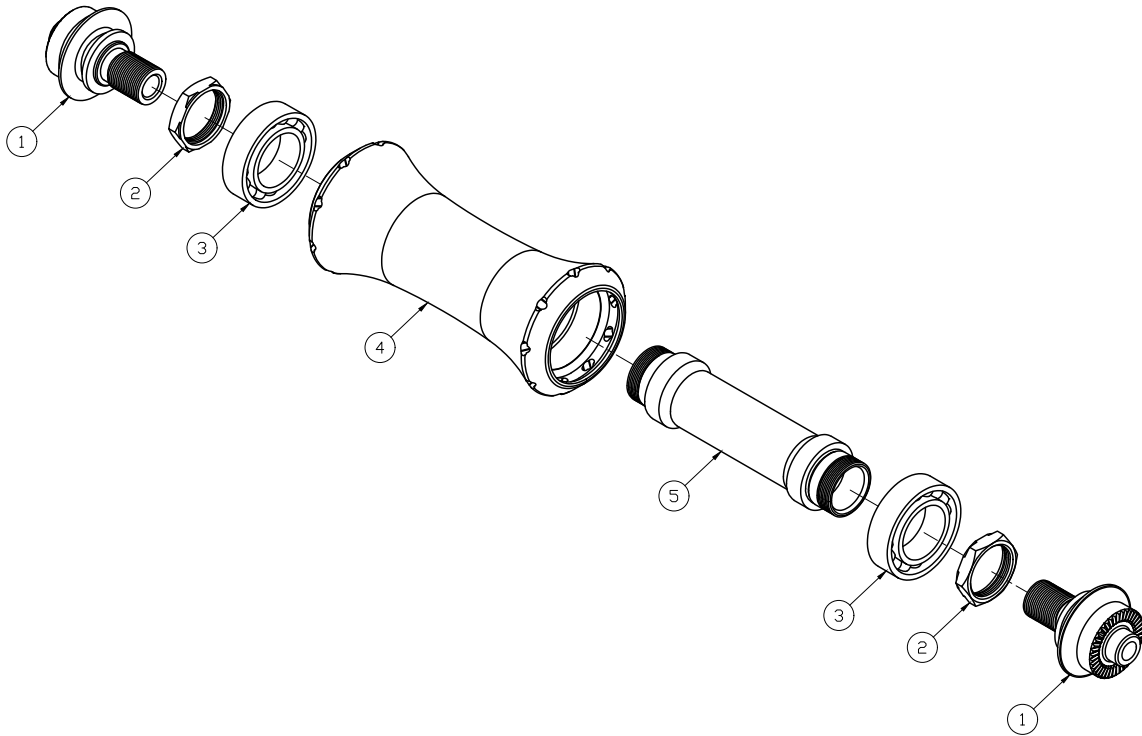
FREEHUB OPTIONS

21862	HUB, FRONT AERO RB SP 18H
21793	SPACER, I9 REAR AXLE
21792	AXLE, I9 RB REAR CL 15/20/130
21912	END CAP, KT FRONT QR QL- LS9PF
21873	END CAP, I9 RB REAR QR 9X130
21856	FREEHUB, I9 RB/DB SHIM 10/11SP
21857	FREEHUB, I9 RB/DB XDR 11/12SPD
21858	FREEHUB, I9 RB/DB CAMPY 11 SPD
20158	BEARING, MR17287
20167	BEARING, ENDURO 61803 ABEC 5
20169	BEARING, ENDURO 61903 ABEC 5
21847	HUB I9 ROAD 3 PAWL SPRING KIT

77851	WS, 80 AERO C TL RB SHIM 18/24	
77853	W, 80 AERO C TL RB FRONT 18H	1.00
67853	D RIM, HIO AERO 80 C TL RB 18H	1.00
20915	RIM TAPE, TL 22MM 5.5M	1.00
21862	HUB, FRONT AERO RB SP 18H	1.00
21582	SPOKE, SPM CX-RAY SP 246MM BLK	18.00
20911	NIPPLE, HEX HIDDEN INTERNAL	18.00
85587	W ACC KIT, 80 AERO TL RB FRNT	1.00
85112	WHEEL BAG SINGLE, REYNOLDS	1.00
20333	REYNOLDS NEW PROD WEBSITE CARD	1.00
21787	VALVE STEM, TUBELESS 100MM LONG	1.00
20816	SKEWER, QR FRONT UPPER LEVEL	1.00
21880	BRAKE PAD,CRYO BL PWR SHIM (PAIR)	1.00
77854	W, 80 AERO C TL RB SHIMANO 24H	1.00
67854	D RIM, HIO AERO 80 C TL RB 24H	1.00
20915	RIM TAPE, TUBELESS 22MM 5.5 M	1.00
21863	HUB, I9 AERO RB SHIM SP 24H	1.00
21583	SPOKE, SPM CX-RAY 253MM SP BLK	12.00
21588	SPOKE, SPM CX-RAY 258MM SP BLK	12.00
20911	NIPPLE, HEX HIDDEN INTERNAL	24.00
85588	W ACC KIT, 80 AERO TL RB REAR	1.00
20333	REYNOLDS NEW PROD WEBSITE CARD	1.00
21787	VALVE STEM, TUBELESS 100MM LONG	1.00
20817	SKEWER, QR REAR UPPER LEVEL	1.00
21880	BRAKE PAD,CRYO BL PWR SHIM PAIR	1.00
85112	WHEEL BAG SINGLE, REYNOLDS	1.00

WARNING: The information contained herein is proprietary and confidential to Reynolds Cycling and Reynolds Cycling affiliates. This document is not intended for public distribution or disclosure. This document may be referenced and reproduced for and by Reynolds Cycling and Reynolds Cycling affiliates only.

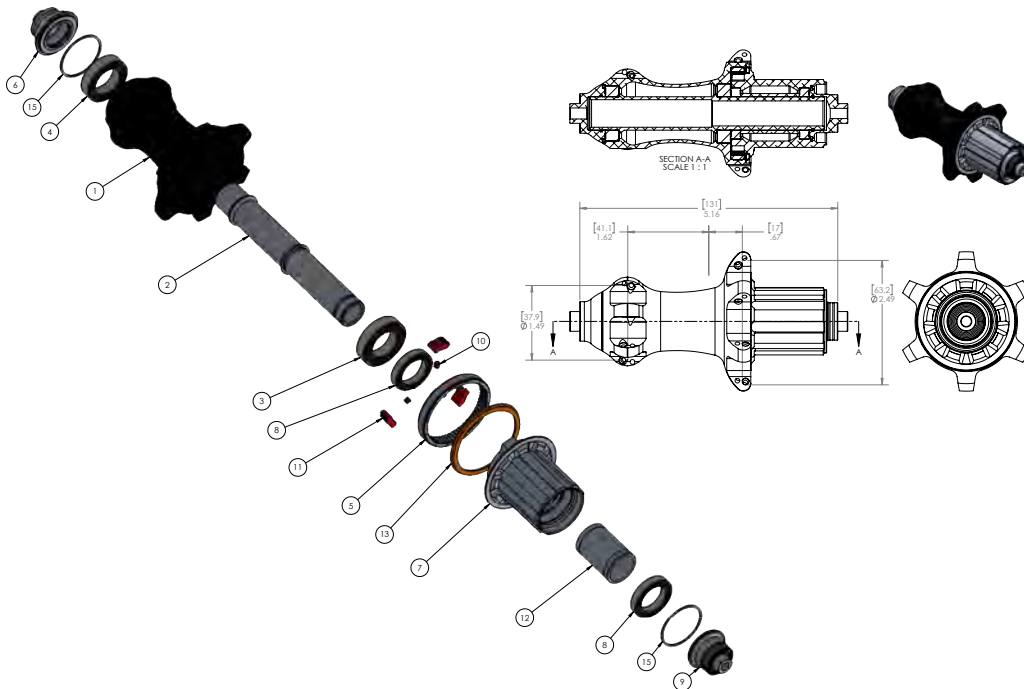
FRONT AERO RB SP 18H



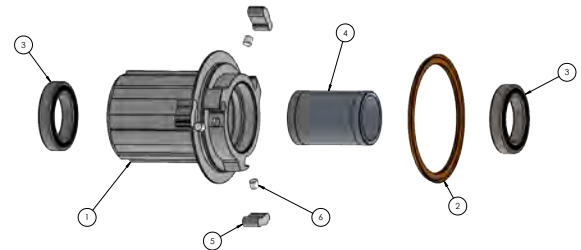
ITEM #	PART #	DESCRIPTION	QTY
1	N/A	END CAP, QR	
2	N/A	Axle Nut	
3	20157	BEARING, 6802, ABEC 3, 2RS	1
4	N/A	Hub Shell	
5	N/A	Axle	

WARNING: The information contained herein is proprietary and confidential to Reynolds Cycling and Reynolds Cycling affiliates. This document is not intended for public distribution or disclosure. This document may be referenced and reproduced for and by Reynolds Cycling and Reynolds Cycling affiliates only.

i9 AERO RB SHIM SP 24H



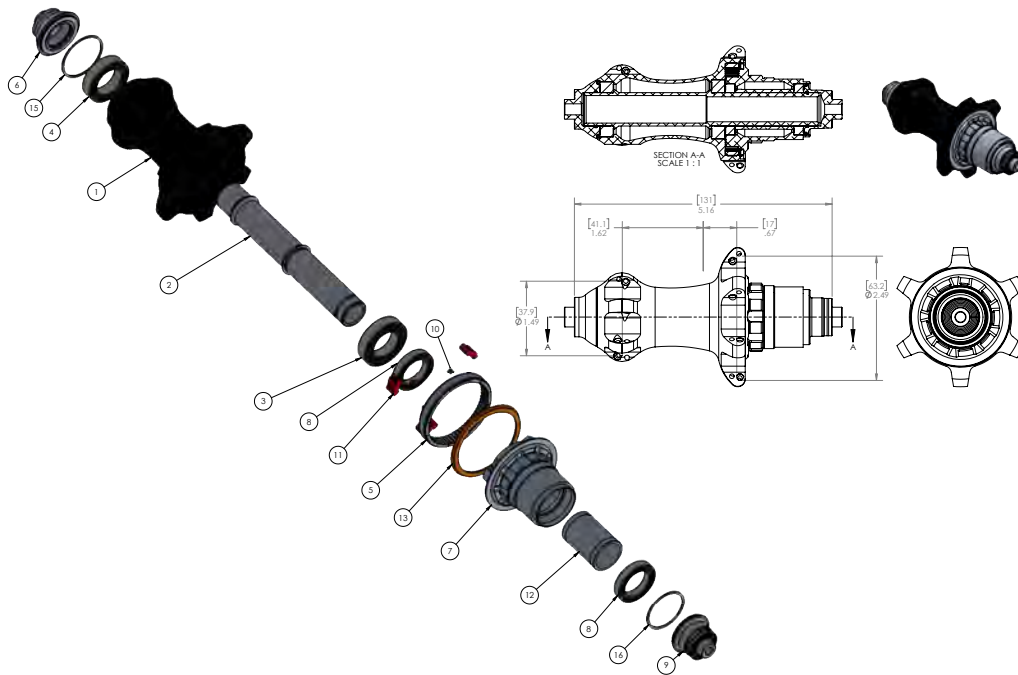
ITEM #	PART #	DESCRIPTION	QTY
1	N/A	Hub Shell	
2	21792	AXLE, i9 RB REAR CL 15/20/130	1
3	20168	BEARING, ENDURO 61903 ABEC 5	1
4	20158	BEARING, MR17287	1
5	21771	RATCHET RING i9	1
6	21873	END CAP, i9 RB REAR QR 9x130	1
7	21856	FREEHUB, i9 RB/DB SHIM 10/11SP	1
8	20167	BEARING, ENDURO 61803 ABEC 5	1
9	N/A	See Item 6	
10	21847	HUB, i9 ROAD 3 PAWL SPRING KIT	1
11	N/A	Pawl	
12	21793	SPACER, i9 REAR AXLE	1
13	N/A	Seal Ring	
14	N/A	o-ring	
15	N/A	teflon seal	



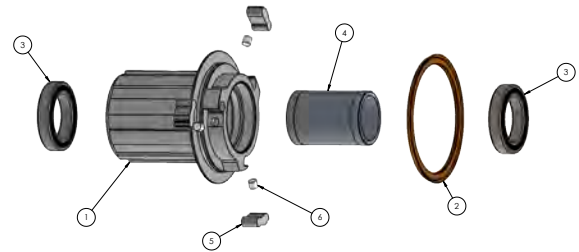
ITEM #	PART #	DESCRIPTION	QTY
1	21856	FREEHUB, i9 RB/DB SHIM 10/11SP	1
	21857	FREEHUB, i9 RB/DB XDR 11/12SPD	1
	21858	FREEHUB, i9 RB/DB CAMPY 11 SPD	1
	423-39272	FREEHUB, i9 CAMPY N3W TORCH 13SPD W/DS E	1
2	N/A	SEAL RING	
3	20167	BEARING, ENDURO 61803 ABEC 5	2
4	21793	SPACER, i9 REAR AXLE	1
5	N/A	PAWL	
6	21847	HUB, i9 ROAD 3 PAWL SPRING KIT	1

WARNING: The information contained herein is proprietary and confidential to Reynolds Cycling and Reynolds Cycling affiliates. This document is not intended for public distribution or disclosure. This document may be referenced and reproduced for and by Reynolds Cycling and Reynolds Cycling affiliates only.

i9 AERO RB XD SP 24H



ITEM #	PART #	DESCRIPTION	QTY
1	N/A	Hub Shell	
2	21792	AXLE, i9 RB REAR CL 15/20/130	1
3	20168	BEARING, ENDURO 61903 ABEC 5	1
4	20158	BEARING, MR17287	1
5	21771	RATCHET RING i9	1
6	21873	END CAP, i9 RB REAR QR 9x130	1
7	21857	FREEHUB, i9 RB/DB XDR 11/12SPD	1
8	20167	BEARING, ENDURO 61803 ABEC 5	1
9	N/A	See Item 6	
10	21847	HUB, i9 ROAD 3 PAWL SPRING KIT	1
11	N/A	Pawl	
12	21793	SPACER, i9 REAR AXLE	1
13	N/A	Seal Ring	
14	N/A	o-ring	
15	N/A	teflon seal	



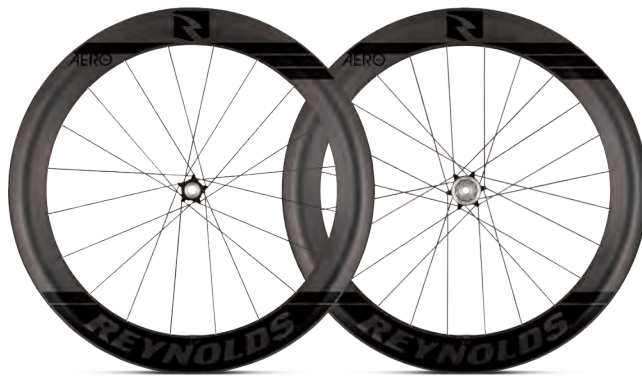
ITEM #	PART #	DESCRIPTION	QTY
1	21856	FREEHUB, i9 RB/DB SHIM 10/11SP	1
	21857	FREEHUB, i9 RB/DB XDR 11/12SPD	1
	21858	FREEHUB, i9 RB/DB CAMPY 11 SPD	1
	423-39272	FREEHUB, i9 CAMPY N3W TORCH 13SPD W/DS E	1
2	N/A	SEAL RING	
3	20167	BEARING, ENDURO 61803 ABEC 5	2
4	21793	SPACER, i9 REAR AXLE	1
5	N/A	PAWL	
6	21847	HUB, i9 ROAD 3 PAWL SPRING KIT	1

WARNING: The information contained herein is proprietary and confidential to Reynolds Cycling and Reynolds Cycling affiliates. This document is not intended for public distribution or disclosure. This document may be referenced and reproduced for and by Reynolds Cycling and Reynolds Cycling affiliates only.

AERO ROAD DISC WHEELS



AERO 46 DISC



AERO 65 DISC



AERO 80 DISC

WARNING: The information contained herein is proprietary and confidential to Reynolds Cycling and Reynolds Cycling affiliates. This document is not intended for public distribution or disclosure. This document may be referenced and reproduced for and by Reynolds Cycling and Reynolds Cycling affiliates only.

AERO 46 CLINCHER ROAD DISC



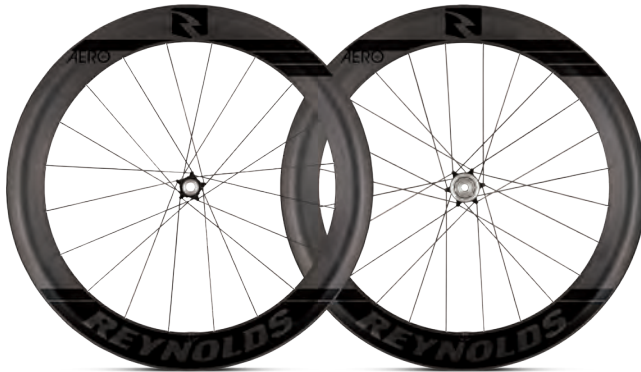
FREEHUB OPTIONS

21793	SPACER, I9 REAR AXLE
21791	AXLE, I9 DB REAR CL 15/12/1
21867	END CAP, I9 DB FRT QR 9X100
21868	END CAP, I9 DB FRT TA 12X100
21869	END CAP, I9 DB FRT TA 15X100
21870	END CAP, I9 DB REAR QR 9X135
21871	END CAP, I9 DB REAR TA 12X142
21872	END CAP, I9 DB REAR TA 12X135
21856	FREEHUB, I9 RB/DB SHIM 10/11SP
21857	FREEHUB, I9 RB/DB XDR 11/12SPD
21858	FREEHUB, I9 RB/DB CAMPY 11 SPD
20158	BEARING, MR17287
20167	BEARING, ENDURO 61803 ABEC 5
20169	BEARING, ENDURO 61903 ABEC 5
21847	HUB I9 ROAD 3 PAWL SPRING KIT

77341	WS, 46 AERO C TL DB SHIM 20/24	
77343	W, 46 AERO C TL DB FRONT 20H	1.00
67343	D RIM, HIO AERO 46 C TL DB 20H	1.00
20915	RIM TAPE, TUBELESS 22MM 5.5 M	1.00
21860	HUB, I9 DB CL 12MM FRONT 20H	1.00
21533	SPOKE, SPM CX-RAY SP 290MM BLK	20.00
20911	NIPPLE, HEX HIDDEN INTERNAL	20.00
85581	W ACC KIT, 46 AERO TL DB FRNT	1.00
85112	WHEEL BAG SINGLE, REYNOLDS	1.00
20333	REYNOLDS NEW PROD WEBSITE CARD	1.00
21013	VALVE STEM, TUBELESS 75MM LONG	1.00
21869	END CAP, I9 DB FRT TA 15X100	1.00
77344	W, 46 AERO C TL DB SHIMANO 24H	1.00
67344	D RIM, HIO AERO 46 C TL DB 24H	1.00
20915	RIM TAPE, TUBELESS 22MM 5.5 M	1.00
21861	HUB, I9 DB CL 142/12 SHIM 24H	1.00
21605	SPOKE, SPM CX-RAY SP 285MM BLK	12.00
21593	SPOKE, SPM CX-RAY SP 280MM BLK	12.00
20911	NIPPLE, HEX HIDDEN INTERNAL	24.00
85582	W ACC KIT, 46 AERO TL DB REAR	1.00
20333	REYNOLDS NEW PROD WEBSITE CARD	1.00
21013	VALVE STEM, TUBELESS 75MM LONG	1.00
85112	WHEEL BAG SINGLE, REYNOLDS	1.00

WARNING: The information contained herein is proprietary and confidential to Reynolds Cycling and Reynolds Cycling affiliates. This document is not intended for public distribution or disclosure. This document may be referenced and reproduced for and by Reynolds Cycling and Reynolds Cycling affiliates only.

AERO 65 CLINCHER ROAD DISC



FREEHUB OPTIONS

21793	SPACER, I9 REAR AXLE
21791	AXLE, I9 DB REAR CL 15/12/1
21867	END CAP, I9 DB FRT QR 9X100
21868	END CAP, I9 DB FRT TA 12X100
21869	END CAP, I9 DB FRT TA 15X100
21870	END CAP, I9 DB REAR QR 9X135
21871	END CAP, I9 DB REAR TA 12X142
21872	END CAP, I9 DB REAR TA 12X135
21856	FREEHUB, I9 RB/DB SHIM 10/11SP
21857	FREEHUB, I9 RB/DB XDR 11/12SPD
21858	FREEHUB, I9 RB/DB CAMPY 11 SPD
20158	BEARING, MR17287
20167	BEARING, ENDURO 61803 ABEC 5
20169	BEARING, ENDURO 61903 ABEC 5
21847	HUB I9 ROAD 3 PAWL SPRING KIT

77661	WS, 65 AERO C TL DB SHIM 20/24	
77663	W, 65 AERO C TL DB FRONT 20H	1.00
67663	D RIM, HIO AERO 65 C TL DB 20H	1.00
20915	RIM TAPE, TUBELESS 22MM 5.5 M	1.00
21860	HUB, I9 DB CL 12MM FRONT 20H	1.00
21592	SPOKE, SPM CX-RAY SP 275MM BLK	10.00
20911	NIPPLE, HEX HIDDEN INTERNAL	20.00
85583	W ACC KIT, 65 AERO TL DB FRNT	1.00
85112	WHEEL BAG SINGLE, REYNOLDS	1.00
20333	REYNOLDS NEW PROD WEBSITE CARD	1.00
21786	VALVE STEM, TUBELESS 85MM LONG	1.00
21869	END CAP, I9 DB FRT TA 15X100	1.00
77664	W, 65 AERO C TL DB SHIMANO 24H	1.00
67664	D RIM, HIO AERO 65 C TL DB 24H	1.00
20915	RIM TAPE, TUBELESS 22MM 5.5 M	1.00
21861	HUB, I9 DB CL 142/12 SHIM 24H	1.00
21576	SPOKE, SPM CX-RAY SP 267MM BLK	12.00
21584	SPOKE, SPM CX-RAY SP 265MM BLK	12.00
20911	NIPPLE, HEX HIDDEN INTERNAL	24.00
85584	W ACC KIT, 65 AERO TL DB REAR	1.00
20333	REYNOLDS NEW PROD WEBSITE CARD	1.00
21786	VALVE STEM, TUBELESS 85MM LONG	1.00
85112	WHEEL BAG SINGLE, REYNOLDS	1.00

WARNING: The information contained herein is proprietary and confidential to Reynolds Cycling and Reynolds Cycling affiliates. This document is not intended for public distribution or disclosure. This document may be referenced and reproduced for and by Reynolds Cycling and Reynolds Cycling affiliates only.

AERO 80 CLINCHER ROAD DISC



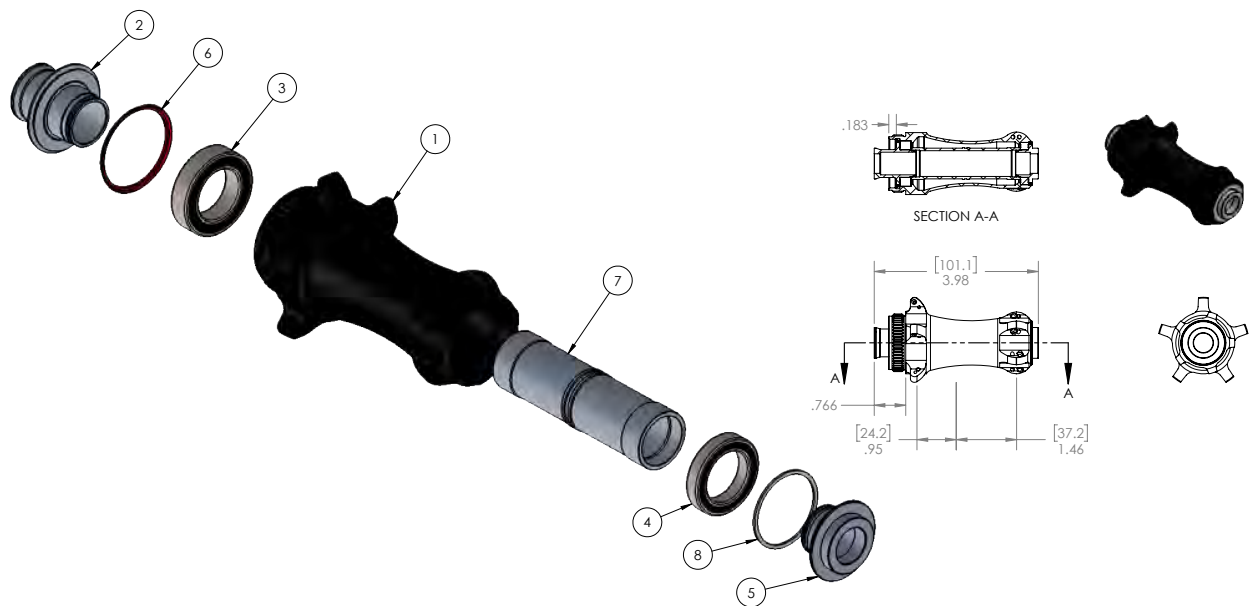
FREEHUB OPTIONS

21793	SPACER, I9 REAR AXLE
21791	AXLE, I9 DB REAR CL 15/12/1
21867	END CAP, I9 DB FRT QR 9X100
21868	END CAP, I9 DB FRT TA 12X100
21869	END CAP, I9 DB FRT TA 15X100
21870	END CAP, I9 DB REAR QR 9X135
21871	END CAP, I9 DB REAR TA 12X142
21872	END CAP, I9 DB REAR TA 12X135
21856	FREEHUB, I9 RB/DB SHIM 10/11SP
21857	FREEHUB, I9 RB/DB XDR 11/12SPD
21858	FREEHUB, I9 RB/DB CAMPY 11 SPD
20158	BEARING, MR17287
20167	BEARING, ENDURO 61803 ABEC 5
20169	BEARING, ENDURO 61903 ABEC 5
21847	HUB I9 ROAD 3 PAWL SPRING KIT

77861	WS, 80 AERO C TL DB SHIM 20/24	
77863	W, 80 AERO C TL DB FRONT 20H	1.00
67863	D RIM, HIO AERO 80 C TL DB 20H	1.00
20911	NIPPLE, HEX HIDDEN INTERNAL	20.00
20918	RIM TAPE, TL 22MM 5.5M INSTALED	1.00
21571	SPOKE, SPM CX-RAY SP 262MM BLK	10.00
21575	SPOKE, SPM CX-RAY SP 260MM BLK	10.00
21860	HUB, I9 DB CL 12MM FRONT 20H	1.00
85112	WHEEL BAG SINGLE, REYNOLDS	1.00
85595	W ACC KIT, 80 AERO TL DB FRNT	1.00
77864	W, 80 AERO C TL DB SHIMANO 24H	1.00
67864	D RIM, HIO AERO 80 C TL DB 24H	1.00
20911	NIPPLE, HEX HIDDEN INTERNAL	24.00
20918	RIM TAPE, TL 22MM 5.5M INSTALED	1.00
21586	SPOKE, SPM CX-RAY SP 254MM BLK	12.00
21730	SPOKE, SPM CX-RAY SP 257MM BLK	12.00
21861	HUB, I9 DB CL 142/12 SHIM 24H	1.00
85112	WHEEL BAG SINGLE, REYNOLDS	1.00
85596	W ACC KIT, 80 AERO TL DB REAR	1.00
77867	WS, 80 AERO C TL DB XD 20/24	
77863	W, 80 AERO C TL DB FRONT 20H	1.00
77870	W, 80 AERO C TL DB XD 24H	1.00
67864	D RIM, HIO AERO 80 C TL DB 24H	1.00
20911	NIPPLE, HEX HIDDEN INTERNAL	24.00
20918	RIM TAPE, TL 22MM 5.5M INSTALED	1.00
21586	SPOKE, SPM CX-RAY SP 254MM BLK	12.00
21730	SPOKE, SPM CX-RAY SP 257MM BLK	12.00
21866	HUB, I9 DB CL 142/12 XD 24H	1.00
85112	WHEEL BAG SINGLE, REYNOLDS	1.00
85596	W ACC KIT, 80 AERO TL DB REAR	1.00

WARNING: The information contained herein is proprietary and confidential to Reynolds Cycling and Reynolds Cycling affiliates. This document is not intended for public distribution or disclosure. This document may be referenced and reproduced for and by Reynolds Cycling and Reynolds Cycling affiliates only.

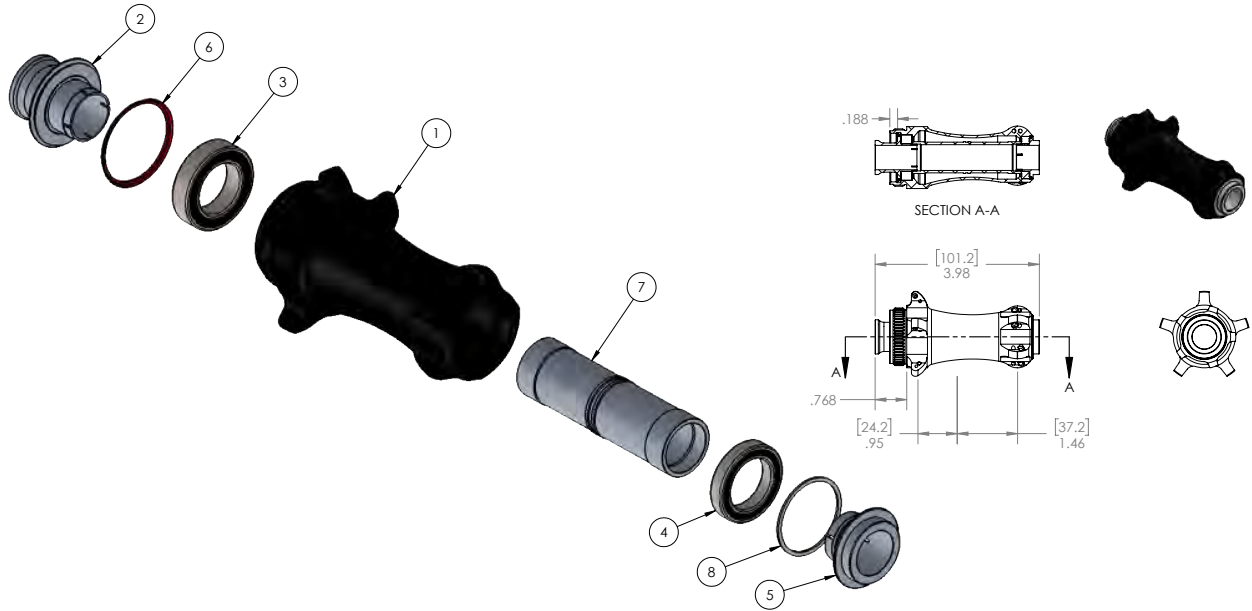
i9 DB CL 12MM FRONT 20H



ITEM #	PART #	DESCRIPTION	QTY
1		Hub Shell	1
2	21868	END CAP, I9 DB FRT TA 12x100	1
3	20185	BEARING, MR17287	1
4	20167	BEARING, ENDURO 61803 ABEC 5	1
5	N/A	See Item 2	
6	N/A		
7	21784	AXLE, I9 DB FRONT 12/15/100	1
8	N/A		

WARNING: The information contained herein is proprietary and confidential to Reynolds Cycling and Reynolds Cycling affiliates. This document is not intended for public distribution or disclosure. This document may be referenced and reproduced for and by Reynolds Cycling and Reynolds Cycling affiliates only.

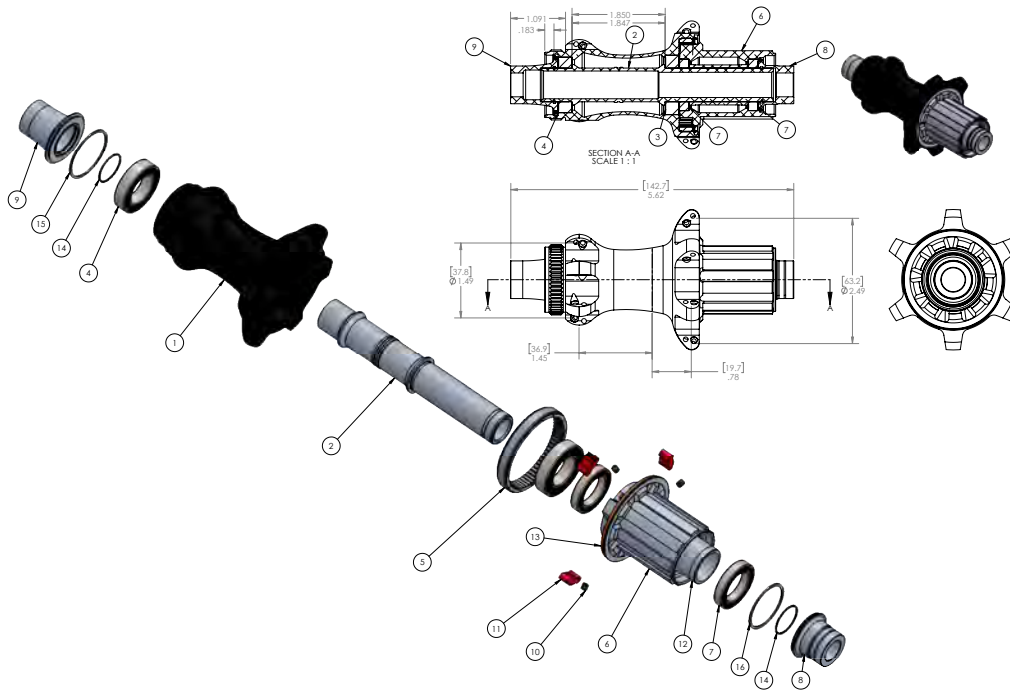
i9 DB CL 15MM FRONT 20H



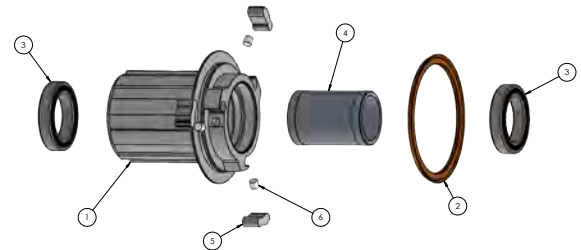
ITEM #	PART #	DESCRIPTION	QTY
1		Hub Shell	1
2	21840	END CAP, I9 FRONT 15mm KIT	1
3	20185	BEARING, MR17287	1
4	20167	BEARING, ENDURO 61803 ABEC 5	1
5	N/A	See Item 2	
6	N/A		
7	21784	AXLE, I9 DB FRONT 12/15/100	1
8	N/A		

WARNING: The information contained herein is proprietary and confidential to Reynolds Cycling and Reynolds Cycling affiliates. This document is not intended for public distribution or disclosure. This document may be referenced and reproduced for and by Reynolds Cycling and Reynolds Cycling affiliates only.

i9 DB CL 14212 SHIM 24H



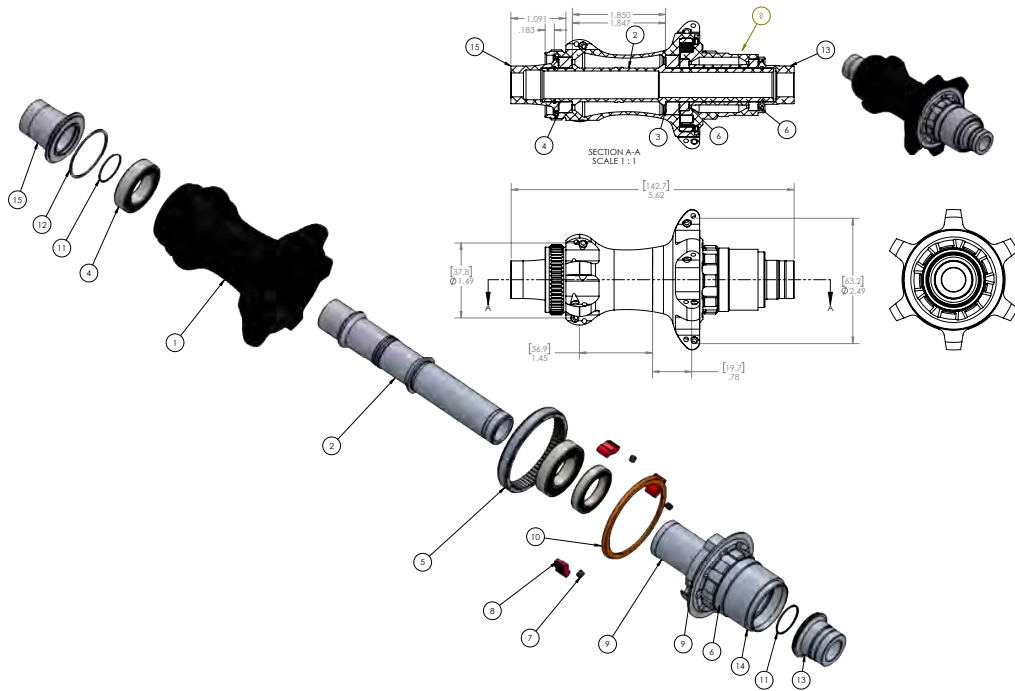
ITEM #	PART #	DESCRIPTION	QTY
1	N/A	Hub Shell	
2	21791	AXLE, i9 DB REAR CL 15/12/135	1
3	20168	BEARING, ENDURO 61903 ABEC 5	1
4	20185	BEARING, MR17287	1
5	21771	RATCHET RING i9	1
6	21856	FREEHUB, i9 RB/DB SHIM 10/11SP	1
7	20167	BEARING, ENDURO 61803 ABEC 5	1
8	21871	END CAP, i9 DB REAR TA 12x142	1
9	N/A	See Item 8	
10	21847	HUB, i9 ROAD 3 PAWL SPRING KIT	1
11	N/A	Pawl	
12	21793	SPACER, i9 REAR AXLE	1
13	N/A	Seal Ring	
14	N/A	o-ring	
15	N/A	teflon seal	
16	N/A	teflon seal	



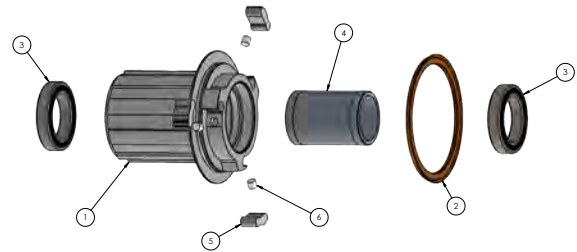
ITEM #	PART #	DESCRIPTION	QTY
1	21856	FREEHUB, i9 RB/DB SHIM 10/11SP	1
	21857	FREEHUB, i9 RB/DB XDR 11/12SPD	1
	21858	FREEHUB, i9 RB/DB CAMPY 11 SPD	1
	423-39272	FREEHUB, i9 CAMPY N3W TORCH 13SPD W/DS E	1
2	N/A	SEAL RING	
3	20167	BEARING, ENDURO 61803 ABEC 5	2
4	21793	SPACER, i9 REAR AXLE	1
5	N/A	PAWL	
6	21847	HUB, i9 ROAD 3 PAWL SPRING KIT	1

WARNING: The information contained herein is proprietary and confidential to Reynolds Cycling and Reynolds Cycling affiliates. This document is not intended for public distribution or disclosure. This document may be referenced and reproduced for and by Reynolds Cycling and Reynolds Cycling affiliates only.

i9 DB CL 14212 XDR 24H



ITEM #	PART #	DESCRIPTION	QTY
1	N/A	Hub Shell	
2	21791	AXLE, i9 DB REAR CL 15/12/135	1
3	20168	BEARING, ENDURO 61903 ABEC 5	1
4	20185	BEARING, MR17287	1
5	21771	RATCHET RING i9	1
6	20167	BEARING, ENDURO 61803 ABEC 5	1
7	21847	HUB, i9 ROAD 3 PAWL SPRING KIT	1
8	N/A	Pawl	
9	21793	SPACER, i9 REAR AXLE	1
10	N/A	Seal Ring	
11	N/A	o-ring	
12	N/A	teflon seal	
13	21871	END CAP, i9 DB REAR TA 12x142	1
14	21857	FREEHUB, i9 RB/DB XDR 11/12SPD	1
15	N/A	See 13	



ITEM #	PART #	DESCRIPTION	QTY
1	21856	FREEHUB, i9 RB/DB SHIM 10/11SP	1
	21857	FREEHUB, i9 RB/DB XDR 11/12SPD	1
	21858	FREEHUB, i9 RB/DB CAMPY 11 SPD	1
	423-39272	FREEHUB, i9 CAMPY N3W TORCH 13SPD W/DS E	1
2	N/A	SEAL RING	
3	20167	BEARING, ENDURO 61803 ABEC 5	2
4	21793	SPACER, i9 REAR AXLE	1
5	N/A	PAWL	
6	21847	HUB, i9 ROAD 3 PAWL SPRING KIT	1

WARNING: The information contained herein is proprietary and confidential to Reynolds Cycling and Reynolds Cycling affiliates. This document is not intended for public distribution or disclosure. This document may be referenced and reproduced for and by Reynolds Cycling and Reynolds Cycling affiliates only.

AR & ARX RIM BRAKE



AR29 & AR29 X RIM BRAKE



AR41 & AR41 X RIM BRAKE



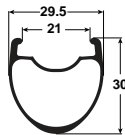
AR58 & AR58 X RIM BRAKE



AR80 & AR80 X RIM BRAKE

WARNING: The information contained herein is proprietary and confidential to Reynolds Cycling and Reynolds Cycling affiliates. This document is not intended for public distribution or disclosure. This document may be referenced and reproduced for and by Reynolds Cycling and Reynolds Cycling affiliates only.

AR29 TUBELESS CLINCHER



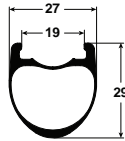
FREEHUB OPTIONS

22099	SPACER, GW RED 17.5*15*2.1mm
22129	END CAP, GW RB FRNT QR 9/100
22130	END CAP, GW RB REAR QR 9/130
22568	FREEHUB, GW TR3 CAMPY 4 PAWL 3 BEARING
22569	FREEHUB, GW TR3 SPL 4 PAWL 3 BEARING
22570	FREEHUB, GW TR3 XDR 4 PAWL 3 BEARING
22159	AXLE, GW RB REAR 15/20/120 ALLOY 130
22160	AXLE, GW FRONT QR
22162	SPACER, GW REAR AXLE
22163	SEAL, GW REAR HUB NDS
22162	SPACER, GW REAR AXLE
22163	SEAL, GW REAR HUB NDS

78261	WS, AR29 TL RB SHIM 20/24	
78263	W, AR29 TL RB FRONT 20H	1
58283	D RIM, AR29 TL RB 20H	1
20918	RIM TAPE, TL 22MM 5.5M INSTALLED	1
22105	HUB, GW RB FRNT 5/100 20H	1
22416	SPOKE, SPM SPRINT SP 284MM BLK	20
20355	NIPPLE,EXT BLACK BRASS SQ HEAD	20
22323	DECAL, AR29 RB	1
20635	DECAL, BRAKE WEAR	1
20008	DECAL, REGISTER WHEELS	1
20332	WHEEL RAP HANG TAG	1
20119	BOX, TW DBLE WHL RNLD BOX 2016	0.5
78264	W, AR29 TL RB SHIMANO 24H	1
58284	D RIM, AR29 TL RB 24H	1
20918	RIM TAPE, TL 22MM 5.5M INSTALED	1
22106	HUB, GW RB SHIM 5/130 24H	1
22419	SPOKE, SPM SPRINT SP 290MM BLK	12
22430	SPOKE, SPM SPRINT SP 293MM BLK	12
20355	NIPPLE,EXT BLACK BRASS SQ HEAD	24
22323	DECAL, AR29 RB	1
20635	DECAL, BRAKE WEAR	1
20008	DECAL, REGISTER WHEELS	1
20332	WHEEL RAP HANG TAG	1
20119	BOX, TW DBLE WHL RNLD BOX 2016	0.5
85410	W ACC KIT, ATTACK C RB TL F SHI	1
3040	9 X 12 X 4MIL ZIP LOCK BAG	1
20333	REYNOLDS NEW PROD WEBSITE CARD	1
21011	VALVE STEM, TUBELESS 45MM LONG	1
21880	BRAKE PADS CRYO PWR SHIM (PAIR)	1
20813	FRONT SKEWER MID-LEVEL	1
85589	W ACC KIT, ATTACK RB TL SHIM	1
3040	9 X 12 X 4MIL ZIP LOCK BAG	1
20333	REYNOLDS NEW PROD WEBSITE CARD	1
21011	VALVE STEM, TUBELESS 45MM LONG	1
21880	BRAKE PADS CRYO PWR SHIM (PAIR)	1
20814	REAR SKEWER MID-LEVEL	1

WARNING: The information contained herein is proprietary and confidential to Reynolds Cycling and Reynolds Cycling affiliates. This document is not intended for public distribution or disclosure. This document may be referenced and reproduced for and by Reynolds Cycling and Reynolds Cycling affiliates only.

AR29 X TUBELESS CLINCHER



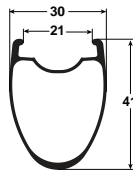
FREEHUB OPTIONS

22099	SPACER, GW RED 17.5*15*2.1mm
22129	END CAP, GW RB FRNT QR 9/100
22130	END CAP, GW RB REAR QR 9/130
22568	FREEHUB, GW TR3 CAMPY 4 PAWL 3 BEARING
22569	FREEHUB, GW TR3 SPL 4 PAWL 3 BEARING
22570	FREEHUB, GW TR3 XDR 4 PAWL 3 BEARING
22159	AXLE, GW RB REAR 15/20/120 ALLOY 130
22160	AXLE, GW FRONT QR
22162	SPACER, GW REAR AXLE
22163	SEAL, GW REAR HUB NDS
22162	SPACER, GW REAR AXLE
22163	SEAL, GW REAR HUB NDS

78281	WS, AR29x TL RB SHIM 20/24	
78283	W, AR29x TL RB FRONT 20H	1
68283	D RIM, H/O AR29 TL RB 20H	1
20918	RIM TAPE, TL 22MM 5.5M INSTALLED	1
22105	HUB, GW RB FRNT 5/100 20H	1
21558	SPOKE, SPM CXSPNT SP 284MM BLK	20
20311	NIPPLE,EXT BLACK ALLOY SQ HEAD	20
20635	DECAL, BRAKE WEAR	1
20008	DECAL, REGISTER WHEELS	1
20332	WHEEL RAP HANG TAG	1
20119	BOX, TW DBLE WHL RNLD BOX 2016	0.5
78284	W, AR29x TL RB SHIMANO 24H	1
68284	D RIM, H/O AR29 TL RB 24H	1
20918	RIM TAPE, TL 22MM 5.5M INSTALLED	1
22106	HUB, GW RB SHIM 5/130 24H	1
21649	SPOKE, SPM CXSPNT SP 293MM BLK	12
21665	SPOKE, SPM CXSPNT SP 290MM BLK	12
20311	NIPPLE,EXT BLACK ALLOY SQ HEAD	24
20635	DECAL, BRAKE WEAR	1
20008	DECAL, REGISTER WHEELS	1
20332	WHEEL RAP HANG TAG	1
20119	BOX, TW DBLE WHL RNLD BOX 2016	0.5
85410	W ACC KIT, ATTACK C RB TL F SHI	1
3040	9 X 12 X 4MIL ZIP LOCK BAG	1
20333	REYNOLDS NEW PROD WEBSITE CARD	1
21011	VALVE STEM, TUBELESS 45MM LONG	1
21880	BRAKE PADS CRYO PWR SHIM (PAIR)	1
20813	FRONT SKEWER MID-LEVEL	1
85589	W ACC KIT, ATTACK RB TL SHIM	1
3040	9 X 12 X 4MIL ZIP LOCK BAG	1
20333	REYNOLDS NEW PROD WEBSITE CARD	1
21011	VALVE STEM, TUBELESS 45MM LONG	1
21880	BRAKE PADS CRYO PWR SHIM (PAIR)	1
20814	REAR SKEWER MID-LEVEL	1

WARNING: The information contained herein is proprietary and confidential to Reynolds Cycling and Reynolds Cycling affiliates. This document is not intended for public distribution or disclosure. This document may be referenced and reproduced for and by Reynolds Cycling and Reynolds Cycling affiliates only.

AR41 TUBELESS CLINCHER



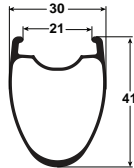
FREEHUB OPTIONS

22099	SPACER, GW RED 17.5*15*2.1mm
22129	END CAP, GW RB FRNT QR 9/100
22130	END CAP, GW RB REAR QR 9/130
22568	FREEHUB, GW TR3 CAMPY 4 PAWL 3 BEARING
22569	FREEHUB, GW TR3 SPL 4 PAWL 3 BEARING
22570	FREEHUB, GW TR3 XDR 4 PAWL 3 BEARING
22159	AXLE, GW RB REAR 15/20/120 ALLOY 130
22160	AXLE, GW FRONT QR
22162	SPACER, GW REAR AXLE
22163	SEAL, GW REAR HUB NDS
22162	SPACER, GW REAR AXLE
22163	SEAL, GW REAR HUB NDS

78371	WS, AR41 TL RB SHIM 20/24	
78373	W, AR41 TL RB FRONT 20H	1
58383	D RIM, AR41 TL RB 20H	1
20918	RIM TAPE, TL 22MM 5.5M INSTALLED	1
22105	HUB, GW RB FRNT 5/100 20H	1
22401	SPOKE, SPM SPRINT SP 273MM BLK	20
20355	NIPPLE,EXT BLACK BRASS SQ HEAD	20
22325	DECAL, AR41 RB	1
20635	DECAL, BRAKE WEAR	1
20008	DECAL, REGISTER WHEELS	1
20332	WHEEL RAP HANG TAG	1
20119	BOX, TW DBLE WHL RNLD BOX 2016	0.5
78374	W, AR41 TL RB SHIMANO 24H	1
58384	D RIM, AR41 TL RB 24H	1
20918	RIM TAPE, TL 22MM 5.5M INSTALED	1
22106	HUB, GW RB SHIM 5/130 24H	1
22411	SPOKE, SPM SPRINT SP 279MM BLK	12
22414	SPOKE, SPM SPRINT SP 282MM BLK	12
20355	NIPPLE,EXT BLACK BRASS SQ HEAD	24
22325	DECAL, AR41 RB	1
20635	DECAL, BRAKE WEAR	1
20008	DECAL, REGISTER WHEELS	1
20332	WHEEL RAP HANG TAG	1
20119	BOX, TW DBLE WHL RNLD BOX 2016	0.5
85442	W ACC KIT, ASLT C RB TL F SHIM	1
3040	9 X 12 X 4MIL ZIP LOCK BAG	1
20333	REYNOLDS NEW PROD WEBSITE CARD	1
21012	VALVE STEM, TUBELESS 55MM LONG	1
21880	BRAKE PADS CRYO PWR SHIM (PAIR)	1
20813	FRONT SKEWER MID-LEVEL	1
85591	W ACC KIT, ASSAULT RB TL SHIM	1
3040	9 X 12 X 4MIL ZIP LOCK BAG	1
20333	REYNOLDS NEW PROD WEBSITE CARD	1
21012	VALVE STEM, TUBELESS 55MM LONG	1
21880	BRAKE PADS CRYO PWR SHIM (PAIR)	1
20814	REAR SKEWER MID-LEVEL	1

WARNING: The information contained herein is proprietary and confidential to Reynolds Cycling and Reynolds Cycling affiliates. This document is not intended for public distribution or disclosure. This document may be referenced and reproduced for and by Reynolds Cycling and Reynolds Cycling affiliates only.

AR41 X TUBELESS CLINCHER



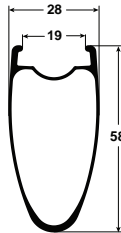
FREEHUB OPTIONS

22099	SPACER, GW RED 17.5*15*2.1mm
22129	END CAP, GW RB FRNT QR 9/100
22130	END CAP, GW RB REAR QR 9/130
22568	FREEHUB, GW TR3 CAMPY 4 PAWL 3 BEARING
22569	FREEHUB, GW TR3 SPL 4 PAWL 3 BEARING
22570	FREEHUB, GW TR3 XDR 4 PAWL 3 BEARING
22159	AXLE, GW RB REAR 15/20/120 ALLOY 130
22160	AXLE, GW FRONT QR
22162	SPACER, GW REAR AXLE
22163	SEAL, GW REAR HUB NDS
22162	SPACER, GW REAR AXLE
22163	SEAL, GW REAR HUB NDS

78381	WS, AR41x TL RB SHIM 20/24	
78383	W, AR41x TL RB FRONT 20H	1
68383	D RIM, H/O AR41 TL RB 20H	1
20918	RIM TAPE, TL 22MM 5.5M INSTALLED	1
22105	HUB, GW RB FRNT 5/100 20H	1
21668	SPOKE, SPM CXSPNT SP 273MM BLK	20
20311	NIPPLE,EXT BLACK ALLOY SQ HEAD	20
20635	DECAL, BRAKE WEAR	1
20008	DECAL, REGISTER WHEELS	1
20332	WHEEL RAP HANG TAG	1
20119	BOX, TW DBLE WHL RNLD BOX 2016	0.5
78384	W, AR41x TL RB SHIMANO 24H	1
68384	D RIM, H/O AR41 TL RB 24H	1
20918	RIM TAPE, TL 22MM 5.5M INSTALLED	1
22106	HUB, GW RB SHIM 5/130 24H	1
21557	SPOKE, SPM CXSPNT SP 282MM BLK	12
21564	SPOKE, SPM CXSPNT SP 279MM BLK	12
20311	NIPPLE,EXT BLACK ALLOY SQ HEAD	24
20635	DECAL, BRAKE WEAR	1
20008	DECAL, REGISTER WHEELS	1
20332	WHEEL RAP HANG TAG	1
20119	BOX, TW DBLE WHL RNLD BOX 2016	0.5
85442	W ACC KIT, ASLT C RB TL F SHIM	1
3040	9 X 12 X 4MIL ZIP LOCK BAG	1
20333	REYNOLDS NEW PROD WEBSITE CARD	1
21012	VALVE STEM, TUBELESS 55MM LONG	1
21880	BRAKE PADS CRYO PWR SHIM (PAIR)	1
20813	FRONT SKEWER MID-LEVEL	1
85591	W ACC KIT, ASSAULT RB TL SHIM	1
3040	9 X 12 X 4MIL ZIP LOCK BAG	1
20333	REYNOLDS NEW PROD WEBSITE CARD	1
21012	VALVE STEM, TUBELESS 55MM LONG	1
21880	BRAKE PADS CRYO PWR SHIM (PAIR)	1
20814	REAR SKEWER MID-LEVEL	1

WARNING: The information contained herein is proprietary and confidential to Reynolds Cycling and Reynolds Cycling affiliates. This document is not intended for public distribution or disclosure. This document may be referenced and reproduced for and by Reynolds Cycling and Reynolds Cycling affiliates only.

AR58 TUBELESS CLINCHER



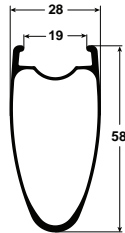
FREEHUB OPTIONS

22099	SPACER, GW RED 17.5*15*2.1mm
22129	END CAP, GW RB FRNT QR 9/100
22130	END CAP, GW RB REAR QR 9/130
22568	FREEHUB, GW TR3 CAMPY 4 PAWL 3 BEARING
22569	FREEHUB, GW TR3 SPL 4 PAWL 3 BEARING
22570	FREEHUB, GW TR3 XDR 4 PAWL 3 BEARING
22159	AXLE, GW RB REAR 15/20/120 ALLOY 130
22160	AXLE, GW FRONT QR
22162	SPACER, GW REAR AXLE
22163	SEAL, GW REAR HUB NDS
22162	SPACER, GW REAR AXLE
22163	SEAL, GW REAR HUB NDS

78431	WS, AR58 TL RB SHIM 20/24	
78433	W, AR58 TL RB FRONT 20H	1
58484	D RIM, AR58 TL RB 20H	1
20918	RIM TAPE, TL 22MM 5.5M INSTALLED	1
22105	HUB, GW RB FRNT 5/100 20H	1
22400	SPOKE, SPM SPRINT SP 255MM BLK	20
20355	NIPPLE,EXT BLACK BRASS SQ HEAD	20
22329	DECAL, AR58 RB	1
20635	DECAL, BRAKE WEAR	1
20008	DECAL, REGISTER WHEELS	1
20332	WHEEL RAP HANG TAG	1
20119	BOX, TW DBLE WHL RNLD BOX 2016	0.5
78434	W, AR58 TL RB SHIMANO 24H	1
58485	D RIM, AR58 TL RB 24H	1
20918	RIM TAPE, TL 22MM 5.5M INSTALED	1
22106	HUB, GW RB SHIM 5/130 24H	1
22392	SPOKE, SPM SPRINT SP 260MM BLK	12
22396	SPOKE, SPM SPRINT SP 264MM BLK	12
20355	NIPPLE,EXT BLACK BRASS SQ HEAD	24
22329	DECAL, AR58 RB	1
20635	DECAL, BRAKE WEAR	1
20008	DECAL, REGISTER WHEELS	1
20332	WHEEL RAP HANG TAG	1
20119	BOX, TW DBLE WHL RNLD BOX 2016	0.5
85416	W ACC KIT, STRIKE C RB TL F SHI	1
3040	9 X 12 X 4MIL ZIP LOCK BAG	1
20333	REYNOLDS NEW PROD WEBSITE CARD	1
21013	VALVE STEM, TUBELESS 75MM LONG	1
21880	BRAKE PADS CRYO PWR SHIM (PAIR)	1
20813	FRONT SKEWER MID-LEVEL	1
85593	W ACC KIT, STRIKE RB SHIM	1
3040	9 X 12 X 4MIL ZIP LOCK BAG	1
20333	REYNOLDS NEW PROD WEBSITE CARD	1
21013	VALVE STEM, TUBELESS 75MM LONG	1
21880	BRAKE PADS CRYO PWR SHIM (PAIR)	1
20814	REAR SKEWER MID-LEVEL	1

WARNING: The information contained herein is proprietary and confidential to Reynolds Cycling and Reynolds Cycling affiliates. This document is not intended for public distribution or disclosure. This document may be referenced and reproduced for and by Reynolds Cycling and Reynolds Cycling affiliates only.

AR58 X TUBELESS CLINCHER



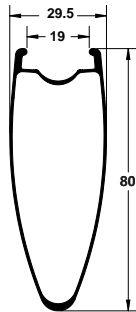
FREEHUB OPTIONS

22099	SPACER, GW RED 17.5*15*2.1mm
22129	END CAP, GW RB FRNT QR 9/100
22130	END CAP, GW RB REAR QR 9/130
22568	FREEHUB, GW TR3 CAMPY 4 PAWL 3 BEARING
22569	FREEHUB, GW TR3 SPL 4 PAWL 3 BEARING
22570	FREEHUB, GW TR3 XDR 4 PAWL 3 BEARING
22159	AXLE, GW RB REAR 15/20/120 ALLOY 130
22160	AXLE, GW FRONT QR
22162	SPACER, GW REAR AXLE
22163	SEAL, GW REAR HUB NDS
22162	SPACER, GW REAR AXLE
22163	SEAL, GW REAR HUB NDS

78481	WS, AR58x TL RB SHIM 20/24	
78483	W, AR58x TL RB FRONT 20H	1
68484	D RIM, H/O AR58 TL RB 20H	1
20918	RIM TAPE, TL 22MM 5.5M INSTALLED	1
22105	HUB, GW RB FRNT 5/100 20H	1
21662	SPOKE, SPM CXSPNT SP 255MM BLK	20
20311	NIPPLE,EXT BLACK ALLOY SQ HEAD	24
20635	DECAL, BRAKE WEAR	1
20008	DECAL, REGISTER WHEELS	1
20332	WHEEL RAP HANG TAG	1
20119	BOX, TW DBLE WHL RNLD BOX 2016	0.5
78484	W, AR58x TL RB SHIMANO 24H	1
68485	D RIM, H/O AR58 TL RB 24H	1
20918	RIM TAPE, TL 22MM 5.5M INSTALLED	1
22106	HUB, GW RB SHIM 5/130 24H	1
21551	SPOKE, SPM CXSPNT SP 260MM BLK	12
21647	SPOKE, SPM CXSPNT SP 264MM BLK	12
20311	NIPPLE,EXT BLACK ALLOY SQ HEAD	24
20635	DECAL, BRAKE WEAR	1
20008	DECAL, REGISTER WHEELS	1
20332	WHEEL RAP HANG TAG	1
20119	BOX, TW DBLE WHL RNLD BOX 2016	0.5
85416	W ACC KIT, STRIKE C RB TL F SHI	1
3040	9 X 12 X 4MIL ZIP LOCK BAG	1
20333	REYNOLDS NEW PROD WEBSITE CARD	1
21013	VALVE STEM, TUBELESS 75MM LONG	1
21880	BRAKE PADS CRYO PWR SHIM (PAIR)	1
20813	FRONT SKEWER MID-LEVEL	1
85593	W ACC KIT, STRIKE RB SHIM	1
3040	9 X 12 X 4MIL ZIP LOCK BAG	1
20333	REYNOLDS NEW PROD WEBSITE CARD	1
21013	VALVE STEM, TUBELESS 75MM LONG	1
21880	BRAKE PADS CRYO PWR SHIM (PAIR)	1
20814	REAR SKEWER MID-LEVEL	1

WARNING: The information contained herein is proprietary and confidential to Reynolds Cycling and Reynolds Cycling affiliates. This document is not intended for public distribution or disclosure. This document may be referenced and reproduced for and by Reynolds Cycling and Reynolds Cycling affiliates only.

AR80 TUBELESS CLINCHER



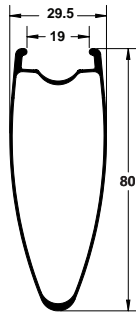
FREEHUB OPTIONS

22099	SPACER, GW RED 17.5*15*2.1mm
22129	END CAP, GW RB FRNT QR 9/100
22130	END CAP, GW RB REAR QR 9/130
22568	FREEHUB, GW TR3 CAMPY 4 PAWL 3 BEARING
22569	FREEHUB, GW TR3 SPL 4 PAWL 3 BEARING
22570	FREEHUB, GW TR3 XDR 4 PAWL 3 BEARING
22159	AXLE, GW RB REAR 15/20/120 ALLOY 130
22160	AXLE, GW FRONT QR
22162	SPACER, GW REAR AXLE
22163	SEAL, GW REAR HUB NDS
22162	SPACER, GW REAR AXLE
22163	SEAL, GW REAR HUB NDS

78846	WS, AR80 DB SHIMANO 24/24H	
78848	W, AR80 DB FRONT 24H	1
58849	D RIM, AR80 TL DB 24H EXT	1
20918	RIM TAPE, TL 22MM 5.5M INSTALED	1
22142	HUB, GW TR3 FRNT DB 12/100 24H	1
22386	SPOKE, SPM SPRINT SP 244MM BLK	12
22385	SPOKE, SPM SPRINT SP 243MM BLK	12
20355	NIPPLE, EXT BLACK BRASS SQ HEAD	24
22122	END CAP, GW DB FRNT 15MM TA	1
22311	DECAL, AR80	1
20007	DECAL, NOT INTENDED FOR RB USE	1
20008	DECAL, REGISTER WHEELS	1
20332	WHEEL RAP HANG TAG	1
20119	BOX, TW DBLE WHL RNLD BOX 2016	0.5
85542	W ACC KIT, AM DB 100MM BRASS TL	1
3040	9 X 12 X 4MIL ZIP LOCK BAG	1
20333	REYNOLDS NEW PROD WEBSITE CARD	1
21787	VALVE STEM, TL BRASS 100MM LONG	1
78849	W, AR80 DB SHIMANO 24H	1
58849	D RIM, AR80 TL DB 24H EXT	1
20918	RIM TAPE, TL 22MM 5.5M INSTALLED	1
22143	HUB, GW TR3 SHIM DB 142/12 24H	1
22386	SPOKE, SPM SPRINT SP 244MM BLK	12
22434	SPOKE, SPM SPRINT SP 240MM BLK	12
20355	NIPPLE, EXT BLACK BRASS SQ HEAD	24
22311	DECAL, AR80	1
20007	DECAL, NOT INTENDED FOR RB USE	1
20008	DECAL, REGISTER WHEELS	1
20332	WHEEL RAP HANG TAG	1
20119	BOX, TW DBLE WHL RNLD BOX 2016	0.5
85542	W ACC KIT, AM DB 100MM BRASS TL	1
3040	9 X 12 X 4MIL ZIP LOCK BAG	1
20333	REYNOLDS NEW PROD WEBSITE CARD	1
21787	VALVE STEM, TL BRASS 100MM LONG	1

WARNING: The information contained herein is proprietary and confidential to Reynolds Cycling and Reynolds Cycling affiliates. This document is not intended for public distribution or disclosure. This document may be referenced and reproduced for and by Reynolds Cycling and Reynolds Cycling affiliates only.

AR80 X TUBELESS CLINCHER



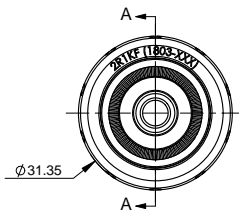
FREEHUB OPTIONS

22099	SPACER, GW RED 17.5*15*2.1mm
22129	END CAP, GW RB FRNT QR 9/100
22130	END CAP, GW RB REAR QR 9/130
22568	FREEHUB, GW TR3 CAMPY 4 PAWL 3 BEARING
22569	FREEHUB, GW TR3 SPL 4 PAWL 3 BEARING
22570	FREEHUB, GW TR3 XDR 4 PAWL 3 BEARING
22159	AXLE, GW RB REAR 15/20/120 ALLOY 130
22160	AXLE, GW FRONT QR
22162	SPACER, GW REAR AXLE
22163	SEAL, GW REAR HUB NDS
22162	SPACER, GW REAR AXLE
22163	SEAL, GW REAR HUB NDS

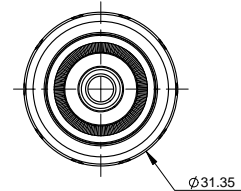
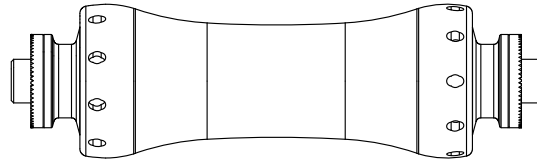
78891	WS, AR80x RB SHIMANO 20/24H	
78893	W, AR80x RB FRONT 20H	1
68843	D RIM, H2O AR80 TL RB 20H EXT	1
20918	RIM TAPE, TL 22MM 5.5M INSTALLED	1
22105	HUB, GW RB FRNT 5/100 20H	1
21717	SPOKE, SPM CXSPNT SP 235MM BLK	20
20311	NIPPLE,EXT BLACK ALLOY SQ HEAD	20
20813	FRONT SKEWER MID-LEVEL	1
20635	DECAL, BRAKE WEAR	1
20008	DECAL, REGISTER WHEELS	1
20332	WHEEL RAP HANG TAG	1
20119	BOX, TW DBLE WHL RNLD BOX 2016	0.5
85535	W ACC KIT, RB 100MM ALLOY TL	1
3040	9 X 12 X 4MIL ZIP LOCK BAG	1
20333	REYNOLDS NEW PROD WEBSITE CARD	1
21777	VALVE STEM,TL ALLOY 100MM LONG	1
21880	BRAKE PADS CRYO PWR SHIM (PAIR)	1
78894	W, AR80x RB SHIMANO 24H	1
68844	D RIM, H2O AR80 TL RB 24H EXT	1
20918	RIM TAPE, TL 22MM 5.5M INSTALLED	1
22106	HUB, GW RB SHIM 5/130 24H	1
21722	SPOKE, SPM CXSPNT SP 240MM BLK	12
21707	SPOKE, SPM CXSPNT SP 245MM BLK	12
20311	NIPPLE,EXT BLACK ALLOY SQ HEAD	24
20814	REAR SKEWER MID-LEVEL	1
20635	DECAL, BRAKE WEAR	1
20008	DECAL, REGISTER WHEELS	1
20332	WHEEL RAP HANG TAG	1
20119	BOX, TW DBLE WHL RNLD BOX 2016	0.5
85535	W ACC KIT, RB 100MM ALLOY TL	1
3040	9 X 12 X 4MIL ZIP LOCK BAG	1
20333	REYNOLDS NEW PROD WEBSITE CARD	1
21777	VALVE STEM,TL ALLOY 100MM LONG	1
21880	BRAKE PADS CRYO PWR SHIM (PAIR)	1

WARNING: The information contained herein is proprietary and confidential to Reynolds Cycling and Reynolds Cycling affiliates. This document is not intended for public distribution or disclosure. This document may be referenced and reproduced for and by Reynolds Cycling and Reynolds Cycling affiliates only.

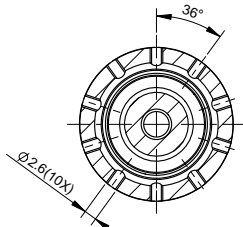
GW RB FRNT 9100 SP 20H



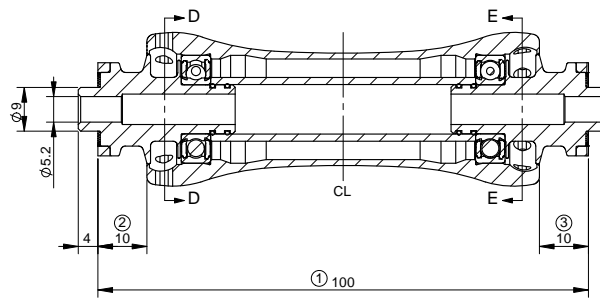
NON DRIVE SIDE



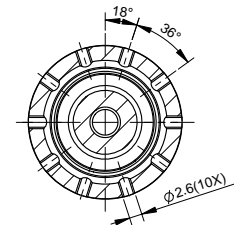
DRIVE SIDE



剖面圖 D-D



剖面圖 A-A

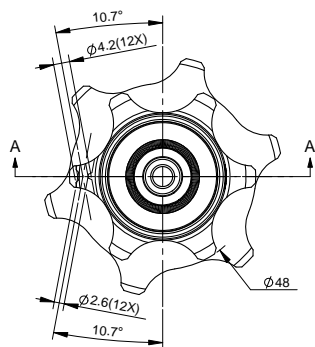


剖面圖 E-E

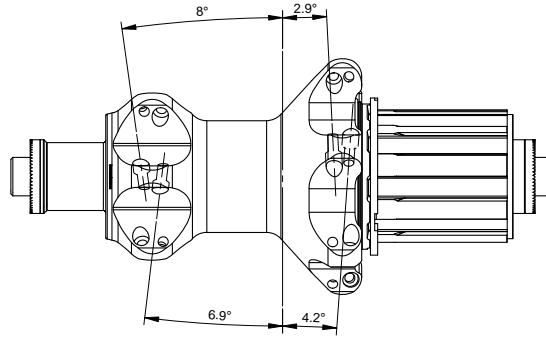
ITEM #	PART #	DESCRIPTION	QTY
1	N/A	Hub Shell	1
2	20154	BEARING, 6900	2
3	22160	AXLE, GW FRONT QR	1
4	22129	END CAP, GW RB FRNT QR 9/100	1

WARNING: The information contained herein is proprietary and confidential to Reynolds Cycling and Reynolds Cycling affiliates. This document is not intended for public distribution or disclosure. This document may be referenced and reproduced for and by Reynolds Cycling and Reynolds Cycling affiliates only.

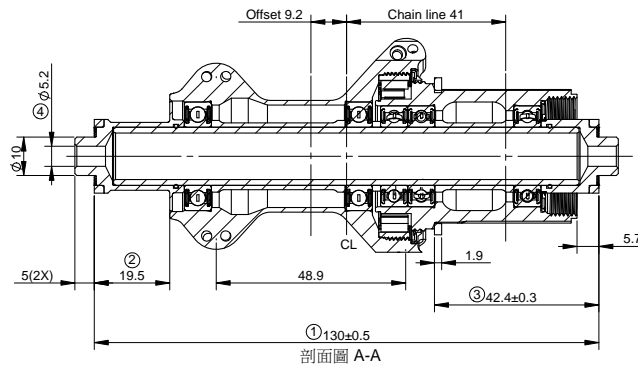
GW RB SHIM 9130 SP 24H



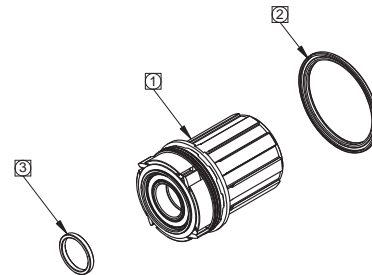
NON DRIVE SIDE



DRIVE SIDE



剖面圖 A-A

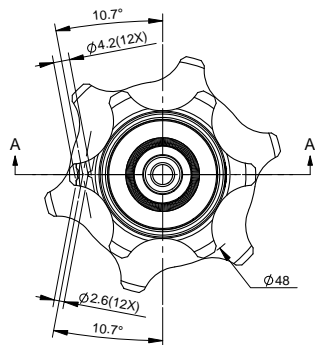


ITEM #	PART #	DESCRIPTION	QTY
1	N/A	Hub Shell	
2	20156	BEARING, 6902, ENDURO	2
3	22162	SPACER, GW REAR AXLE	1
4	N/A	RATCHET RING	
5	N/A	Seal Ring	1
6	22159	AXLE, GW RB REAR 15/20/120 ALLOY 130	1
7	22099	SPACER, GW, RED 17.5*15*2.1 mm	1
8	22569	FREEHUB, GW TR3 SPL 4 PAWL 3 BEARING	1
9	22130	END CAP, GW RB REAR QR 9/130	1
10	N/A	See 9	

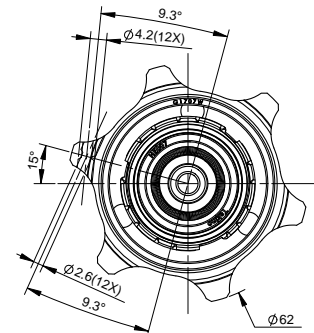
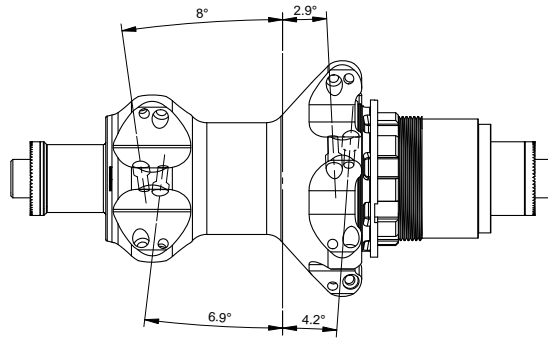
ITEM #	PART #	DESCRIPTION	QTY
1	22569	FREEHUB, GW TR3 SPL 4 PAWL 3 BEARING	1
	22570	FREEHUB, GW TR3 XDR 4 PAWL 3 BEARING	1
	22568	FREEHUB, GW TR3 CAMPY 4 PAWL 3 BEARING	1
	423-39079	FREEHUB, GW CAMPY N3W 11-13SPD 4 PAWL 3 BEARING	1
2	N/A	SEAL RING	

WARNING: The information contained herein is proprietary and confidential to Reynolds Cycling and Reynolds Cycling affiliates. This document is not intended for public distribution or disclosure. This document may be referenced and reproduced for and by Reynolds Cycling and Reynolds Cycling affiliates only.

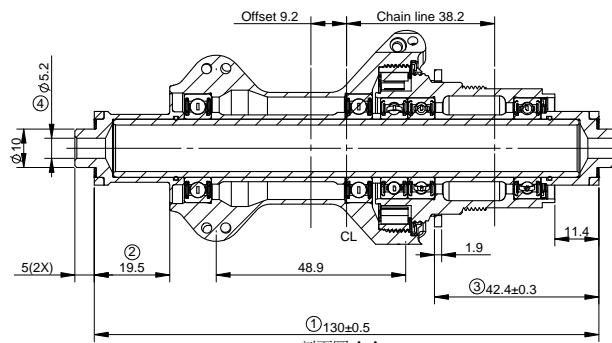
GW CL RB XDR 9130 SP 24H



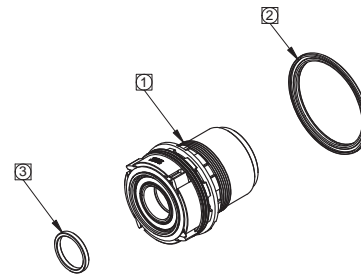
NON DRIVE SIDE



DRIVE SIDE



剖面圖 A-A

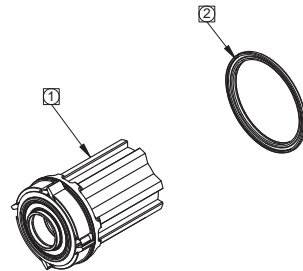
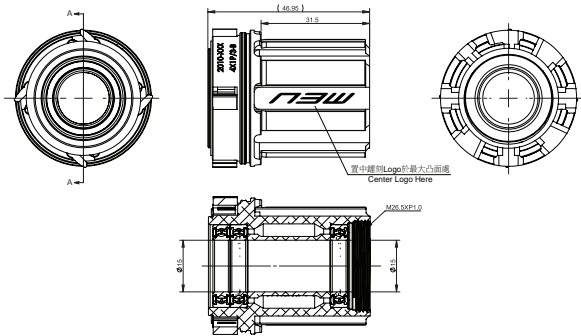
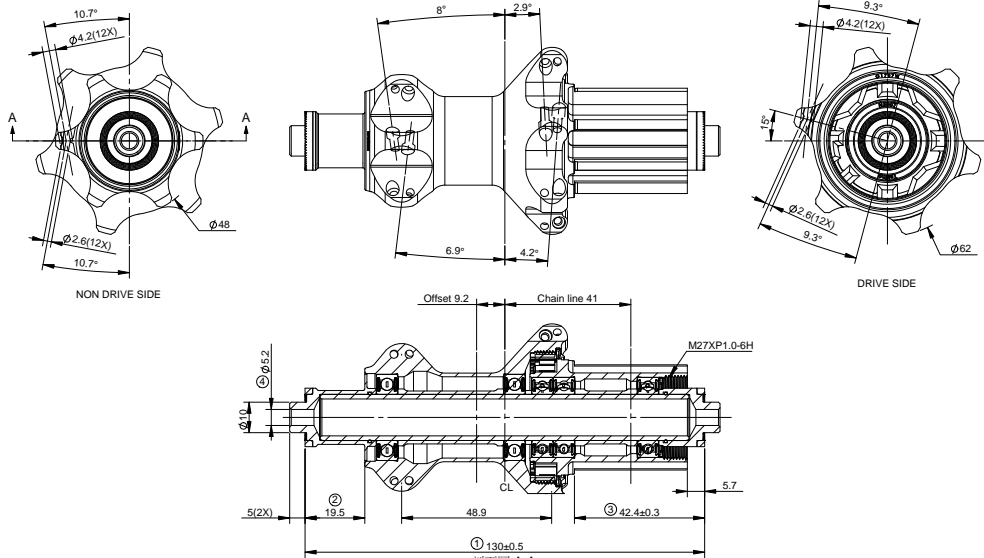


ITEM #	PART #	DESCRIPTION	QTY
1	N/A	Hub Shell	
2	20156	BEARING, 6902, ENDURO	2
3	22162	SPACER, GW REAR AXLE	1
4	N/A	RATCHET RING	
5	N/A	Seal Ring	1
6	22159	AXLE, GW RB REAR 15/20/120 ALLOY 130	1
7	22099	SPACER, GW, RED 17.5*15*2.1 mm	1
8	22570	FREEHUB, GW TR3 XDR 4 PAWL 3 BEARING	1
9	22130	END CAP, GW RB REAR QR 9/130	1
10	N/A	See 9	

ITEM #	PART #	DESCRIPTION	QTY
1	22569	FREEHUB, GW TR3 SPL 4 PAWL 3 BEARING	1
	22570	FREEHUB, GW TR3 XDR 4 PAWL 3 BEARING	1
	22568	FREEHUB, GW TR3 CAMPY 4 PAWL 3 BEARING	1
	423-39079	FREEHUB, GW CAMPY N3W 11-13SPD 4 PAWL 3 BEARING	1
2	N/A	SEAL RING	

WARNING: The information contained herein is proprietary and confidential to Reynolds Cycling and Reynolds Cycling affiliates. This document is not intended for public distribution or disclosure. This document may be referenced and reproduced for and by Reynolds Cycling and Reynolds Cycling affiliates only.

GW RB CAMPY 9130 SP 24H



ITEM #	PART #	DESCRIPTION	QTY
1	N/A	Hub Shell	
2	20156	BEARING, 6902, ENDURO	2
3	22162	SPACER, GW REAR AXLE	1
4	N/A	RATCHET RING	
5	N/A	Seal Ring	1
6	22159	AXLE, GW RB REAR 15/20/120 ALLOY 130	1
7	22099	SPACER, GW, RED 17.5*15*2.1 mm	1
8	22568	FREEHUB, GW TR3 CAMPY 4 PAWL 3 BEARING	1
9	22130	END CAP, GW RB REAR QR 9/130	1
10	N/A	See 9	

ITEM #	PART #	DESCRIPTION	QTY
1	22569	FREEHUB, GW TR3 SPL 4 PAWL 3 BEARING	1
	22570	FREEHUB, GW TR3 XDR 4 PAWL 3 BEARING	1
	22568	FREEHUB, GW TR3 CAMPY 4 PAWL 3 BEARING	1
	423-39079	FREEHUB, GW CAMPY N3W 11-13SPD 4 PAWL 3 BEARING	1
2	N/A	SEAL RING	

WARNING: The information contained herein is proprietary and confidential to Reynolds Cycling and Reynolds Cycling affiliates. This document is not intended for public distribution or disclosure. This document may be referenced and reproduced for and by Reynolds Cycling and Reynolds Cycling affiliates only.

AR & ARX DISC BRAKE



AR29 & AR29 X DISC BRAKE



AR41 & AR41 X DISC BRAKE



AR58 & AR58 X DISC BRAKE



AR58 650B & AR58 X 650B DISC BRAKE



AR80 & AR80 X DISC BRAKE

WARNING: The information contained herein is proprietary and confidential to Reynolds Cycling and Reynolds Cycling affiliates. This document is not intended for public distribution or disclosure. This document may be referenced and reproduced for and by Reynolds Cycling and Reynolds Cycling affiliates only.

AR29 TUBELESS CLINCHER DB



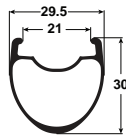
FREEHUB OPTIONS

20783	O-RING, GW DB END CAPS
22099	SPACER, GW, RED 17.5*15*2.1mm
22120	END CAP, GW DB FRNT 9MM QR
22121	END CAP, GW DB FRNT 12MM TA
22122	END CAP, GW DB FRNT 15MM TA
22124	END CAP, GW DB REAR 9/135 QR
22126	END CAP, GW DB R 12/135 TA
22128	END CAP, GW DB R 12/142 TA
22567	FREEHUB, GW TR3 XD 4 PAWL 3 BEARING
22568	FREEHUB, GW TR3 CAMPY 4 PAWL 3 BEARING
22569	FREEHUB, GW TR3 SPL 4 PAWL 3 BEARING
22570	FREEHUB, GW TR3 XDR 4 PAWL 3 BEARING
22161	AXLE, GW FRONT TA
22158	AXLE, GW DB REAR 15/12/125 ALLOY 135/142
22163	SEAL, GW REAR HUB NDS

78251	WS, AR29 TL DB SHIM 24/24	
78253	W, AR29 TL DB FRONT 24H	1
58274	D RIM, AR29 TL DB 24H EXT	1
20919	RIM TAPE, TL 25MM 5.5M INSTALED	1
22142	HUB, GW TR3 FRNT DB 12/100 24H	1
22429	SPOKE, SPM SPRINT SP 292MM BLK	12
22430	SPOKE, SPM SPRINT SP 293MM BLK	12
20355	NIPPLE, EXT BLACK BRASS SQ HEAD	24
22322	DECAL, AR29 DB	1
20007	DECAL, NOT INTENDED FOR RB USE	1
20008	DECAL, REGISTER WHEELS	1
20332	WHEEL RAP HANG TAG	1
20119	BOX, TW DBLE WHL RNLD BOX 2016	0.5
78254	W, AR29 TL DB SHIM 24H	1
58274	D RIM, AR29 TL DB 24H EXT	1
20919	RIM TAPE, TL 25MM 5.5M INSTALED	1
22143	HUB, GW TR3 SHIM DB 142/12 24H	1
22419	SPOKE, SPM SPRINT SP 290MM BLK	12
22431	SPOKE, SPM SPRINT SP 294MM BLK	12
20355	NIPPLE, EXT BLACK BRASS SQ HEAD	24
22322	DECAL, AR29 DB	1
20007	DECAL, NOT INTENDED FOR RB USE	1
20008	DECAL, REGISTER WHEELS	1
20332	WHEEL RAP HANG TAG	1
20119	BOX, TW DBLE WHL RNLD BOX 2016	0.5
85575	W ACC KIT, ATTACK C TL DB FRNT	1
3040	9 X 12 X 4MIL ZIP LOCK BAG	1
20333	REYNOLDS NEW PROD WEBSITE CARD	1
21011	VALVE STEM, TUBELESS 45MM LONG	1
22122	END CAP, GW DB FRNT 15MM TA	1
85576	W ACC KIT, ATTACK C TL DB REAR	1
3040	9 X 12 X 4MIL ZIP LOCK BAG	1
20333	REYNOLDS NEW PROD WEBSITE CARD	1
21011	VALVE STEM, TUBELESS 45MM LONG	1

WARNING: The information contained herein is proprietary and confidential to Reynolds Cycling and Reynolds Cycling affiliates. This document is not intended for public distribution or disclosure. This document may be referenced and reproduced for and by Reynolds Cycling and Reynolds Cycling affiliates only.

AR29 X TUBELESS CLINCHER DB



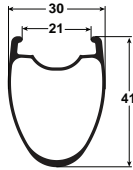
FREEHUB OPTIONS

20783	O-RING, GW DB END CAPS
22099	SPACER, GW, RED 17.5*15*2.1mm
22120	END CAP, GW DB FRNT 9MM QR
22121	END CAP, GW DB FRNT 12MM TA
22122	END CAP, GW DB FRNT 15MM TA
22124	END CAP, GW DB REAR 9/135 QR
22126	END CAP, GW DB R 12/135 TA
22128	END CAP, GW DB R 12/142 TA
22567	FREEHUB, GW TR3 XD 4 PAWL 3 BEARING
22568	FREEHUB, GW TR3 CAMPY 4 PAWL 3 BEARING
22569	FREEHUB, GW TR3 SPL 4 PAWL 3 BEARING
22570	FREEHUB, GW TR3 XDR 4 PAWL 3 BEARING
22161	AXLE, GW FRONT TA
22158	AXLE, GW DB REAR 15/12/125 ALLOY 135/142
22163	SEAL, GW REAR HUB NDS

78271	WS, AR29x TL DB SHIM 24/24	
78273	W, AR29x TL DB FRONT 24H	1
68274	D RIM, H/O AR29 TL DB 24H	1
20919	RIM TAPE, TL 25MM 5.5M INSTALED	1
22112	HUB, GW FRONT DB 12MM 24H	1
21649	SPOKE, SPM CXSPNT SP 293MM BLK	24
20311	NIPPLE, EXT BLACK ALLOY SQ HEAD	24
20007	DECAL, NOT INTENDED FOR RB USE	1
20008	DECAL, REGISTER WHEELS	1
20332	WHEEL RAP HANG TAG	1
20119	BOX, TW DBLE WHL RNLD BOX 2016	0.5
78274	W, AR29x TL DB SHIM 24H	1
68274	D RIM, H/O AR29 TL DB 24H	1
20919	RIM TAPE, TL 25MM 5.5M INSTALED	1
22102	HUB, GW CL DB SHIM 12/142 24H	1
21665	SPOKE, SPM CXSPNT SP 290MM BLK	12
21671	SPOKE, SPM CXSPNT SP 294MM BLK	12
20311	NIPPLE, EXT BLACK ALLOY SQ HEAD	24
20007	DECAL, NOT INTENDED FOR RB USE	1
20008	DECAL, REGISTER WHEELS	1
20332	WHEEL RAP HANG TAG	1
20119	BOX, TW DBLE WHL RNLD BOX 2016	0.5
85575	W ACC KIT, ATTACK C TL DB FRNT	1
3040	9 X 12 X 4MIL ZIP LOCK BAG	1
20333	REYNOLDS NEW PROD WEBSITE CARD	1
21011	VALVE STEM, TUBELESS 45MM LONG	1
22122	END CAP, GW DB FRNT 15MM TA	1
85576	W ACC KIT, ATTACK C TL DB REAR	1
3040	9 X 12 X 4MIL ZIP LOCK BAG	1
20333	REYNOLDS NEW PROD WEBSITE CARD	1
21011	VALVE STEM, TUBELESS 45MM LONG	1

WARNING: The information contained herein is proprietary and confidential to Reynolds Cycling and Reynolds Cycling affiliates. This document is not intended for public distribution or disclosure. This document may be referenced and reproduced for and by Reynolds Cycling and Reynolds Cycling affiliates only.

AR41 TUBELESS CLINCHER DB



FREEHUB OPTIONS

20783	O-RING, GW DB END CAPS
22099	SPACER, GW, RED 17.5*15*2.1mm
22120	END CAP, GW DB FRNT 9MM QR
22121	END CAP, GW DB FRNT 12MM TA
22122	END CAP, GW DB FRNT 15MM TA
22124	END CAP, GW DB REAR 9/135 QR
22126	END CAP, GW DB R 12/135 TA
22128	END CAP, GW DB R 12/142 TA
22567	FREEHUB, GW TR3 XD 4 PAWL 3 BEARING
22568	FREEHUB, GW TR3 CAMPY 4 PAWL 3 BEARING
22569	FREEHUB, GW TR3 SPL 4 PAWL 3 BEARING
22570	FREEHUB, GW TR3 XDR 4 PAWL 3 BEARING
22161	AXLE, GW FRONT TA
22158	AXLE, GW DB REAR 15/12/125 ALLOY 135/142
22163	SEAL, GW REAR HUB NDS

78351	WS, AR41 TL DB SHIM 24/24	
78353	W, AR41 TL DB FRONT 24H	1
58364	D RIM, AR41 TL DB 24H EXT	1
20919	RIM TAPE, TL 25MM 5.5M INSTALED	1
22142	HUB, GW TR3 FRNT DB 12/100 24H	1
22415	SPOKE, SPM SPRINT SP 283MM BLK	24
20355	NIPPLE, EXT BLACK BRASS SQ HEAD	24
22324	DECAL, AR41 DB	1
20008	DECAL, REGISTER WHEELS	1
20007	DECAL, NOT INTENDED FOR RB USE	1
20332	WHEEL RAP HANG TAG	1
20119	BOX, TW DBLE WHL RNLD BOX 2016	0.5
78354	W, AR41 TL DB SHIM 24H	1
58364	D RIM, AR41 TL DB 24H EXT	1
20919	RIM TAPE, TL 25MM 5.5M INSTALED	1
22143	HUB, GW TR3 SHIM DB 142/12 24H	1
22411	SPOKE, SPM SPRINT SP 279MM BLK	12
22414	SPOKE, SPM SPRINT SP 282MM BLK	12
20355	NIPPLE, EXT BLACK BRASS SQ HEAD	24
22324	DECAL, AR41 DB	1
20008	DECAL, REGISTER WHEELS	1
20007	DECAL, NOT INTENDED FOR RB USE	1
20332	WHEEL RAP HANG TAG	1
20119	BOX, TW DBLE WHL RNLD BOX 2016	0.5
85577	W ACC KIT, ASLT/ATR C TL DB FR	1
3040	9 X 12 X 4MIL ZIP LOCK BAG	1
20333	REYNOLDS NEW PROD WEBSITE CARD	1
21012	VALVE STEM, TUBELESS 55MM LONG	1
22122	END CAP, GW DB FRNT 15MM TA	1
85578	W ACC KIT, ASLT/ATR C TL DB RE	1
3040	9 X 12 X 4MIL ZIP LOCK BAG	1
20333	REYNOLDS NEW PROD WEBSITE CARD	1
21012	VALVE STEM, TUBELESS 55MM LONG	1

WARNING: The information contained herein is proprietary and confidential to Reynolds Cycling and Reynolds Cycling affiliates. This document is not intended for public distribution or disclosure. This document may be referenced and reproduced for and by Reynolds Cycling and Reynolds Cycling affiliates only.

AR41 X TUBELESS CLINCHER DB



FREEHUB OPTIONS

20783	O-RING, GW DB END CAPS
22099	SPACER, GW, RED 17.5*15*2.1mm
22120	END CAP, GW DB FRNT 9MM QR
22121	END CAP, GW DB FRNT 12MM TA
22122	END CAP, GW DB FRNT 15MM TA
22124	END CAP, GW DB REAR 9/135 QR
22126	END CAP, GW DB R 12/135 TA
22128	END CAP, GW DB R 12/142 TA
22567	FREEHUB, GW TR3 XD 4 PAWL 3 BEARING
22568	FREEHUB, GW TR3 CAMPY 4 PAWL 3 BEARING
22569	FREEHUB, GW TR3 SPL 4 PAWL 3 BEARING
22570	FREEHUB, GW TR3 XDR 4 PAWL 3 BEARING
22161	AXLE, GW FRONT TA
22158	AXLE, GW DB REAR 15/12/125 ALLOY 135/142
22163	SEAL, GW REAR HUB NDS

78361	WS, AR41x TL DB SHIM 24/24	
78363	W, AR41x TL DB FRONT 24H	1
68364	D RIM, H/O AR41 TL DB 24H	1
20919	RIM TAPE, TL 25MM 5.5M INSTALED	1
22112	HUB, GW FRONT DB 12MM 24H	1
21648	SPOKE, SPM CXSPNT SP 281MM BLK	24
20311	NIPPLE, EXT BLACK ALLOY SQ HEAD	24
20008	DECAL, REGISTER WHEELS	1
20007	DECAL, NOT INTENDED FOR RB USE	1
20332	WHEEL RAP HANG TAG	1
20119	BOX, TW DBLE WHL RNLD BOX 2016	0.5
78364	W, AR41x TL DB SHIM 24H	1
68364	D RIM, H/O AR41 TL DB 24H	1
20919	RIM TAPE, TL 25MM 5.5M INSTALED	1
22102	HUB, GW CL DB SHIM 12/142 24H	1
21564	SPOKE, SPM CXSPNT SP 279MM BLK	12
21661	SPOKE, SPM CXSPNT SP 283MM BLK	12
20311	NIPPLE, EXT BLACK ALLOY SQ HEAD	24
20008	DECAL, REGISTER WHEELS	1
20007	DECAL, NOT INTENDED FOR RB USE	1
20332	WHEEL RAP HANG TAG	1
20119	BOX, TW DBLE WHL RNLD BOX 2016	0.5
85577	W ACC KIT, ASLT/ATR C TL DB FR	1
3040	9 X 12 X 4MIL ZIP LOCK BAG	1
20333	REYNOLDS NEW PROD WEBSITE CARD	1
21012	VALVE STEM, TUBELESS 55MM LONG	1
22122	END CAP, GW DB FRNT 15MM TA	1
85578	W ACC KIT, ASLT/ATR C TL DB RE	1
3040	9 X 12 X 4MIL ZIP LOCK BAG	1
20333	REYNOLDS NEW PROD WEBSITE CARD	1
21012	VALVE STEM, TUBELESS 55MM LONG	1

WARNING: The information contained herein is proprietary and confidential to Reynolds Cycling and Reynolds Cycling affiliates. This document is not intended for public distribution or disclosure. This document may be referenced and reproduced for and by Reynolds Cycling and Reynolds Cycling affiliates only.

AR58/62 TUBELESS CLINCHER DB



FREEHUB OPTIONS

20783	O-RING, GW DB END CAPS
22099	SPACER, GW, RED 17.5*15*2.1mm
22120	END CAP, GW DB FRNT 9MM QR
22121	END CAP, GW DB FRNT 12MM TA
22122	END CAP, GW DB FRNT 15MM TA
22124	END CAP, GW DB REAR 9/135 QR
22126	END CAP, GW DB R 12/135 TA
22128	END CAP, GW DB R 12/142 TA
22567	FREEHUB, GW TR3 XD 4 PAWL 3 BEARING
22568	FREEHUB, GW TR3 CAMPY 4 PAWL 3 BEARING
22569	FREEHUB, GW TR3 SPL 4 PAWL 3 BEARING
22570	FREEHUB, GW TR3 XDR 4 PAWL 3 BEARING
22161	AXLE, GW FRONT TA
22158	AXLE, GW DB REAR 15/12/125 ALLOY 135/142
22163	SEAL, GW REAR HUB NDS

78451	WS, 58/62 TL DB SHIM 24/24	
78453	W, AR58 TL DB FRONT 24H	1
58464	D RIM, AR58 TL DB 24H EXT	1
20918	RIM TAPE, TL 22MM 5.5M INSTALED	1
22142	HUB, GW TR3 FRNT DB 12/100 24H	1
22396	SPOKE, SPM SPRINT SP 264MM BLK	12
22397	SPOKE, SPM SPRINT SP 265MM BLK	12
20355	NIPPLE, EXT BLACK BRASS SQ HEAD	24
22327	DECAL, AR58 DB	1
20007	DECAL, NOT INTENDED FOR RB USE	1
20008	DECAL, REGISTER WHEELS	1
20332	WHEEL RAP HANG TAG	1
20119	BOX, TW DBLE WHL RNLD BOX 2016	0.5
78494	W, AR62 TL DB SHIM 24H	1
58474	D RIM, AR62 TL DB 24H EXT	1
20919	RIM TAPE, TL 25MM 5.5M INSTALED	1
22143	HUB, GW TR3 SHIM DB 142/12 24H	1
22391	SPOKE, SPM SPRINT SP 259MM BLK	12
22395	SPOKE, SPM SPRINT SP 263MM BLK	12
20355	NIPPLE, EXT BLACK BRASS SQ HEAD	24
22328	DECAL, AR62 DB	1
20007	DECAL, NOT INTENDED FOR RB USE	1
20008	DECAL, REGISTER WHEELS	1
20332	WHEEL RAP HANG TAG	1
20119	BOX, TW DBLE WHL RNLD BOX 2016	0.5
85579	W ACC KIT, STRIKE C TL DB FRNT	1
3040	9 X 12 X 4MIL ZIP LOCK BAG	1
20333	REYNOLDS NEW PROD WEBSITE CARD	1
21013	VALVE STEM, TUBELESS 75MM LONG	1
22122	END CAP, GW DB FRNT 15MM TA	1
85580	W ACC KIT, STRIKE C TL DB REAR	1
3040	9 X 12 X 4MIL ZIP LOCK BAG	1
20333	REYNOLDS NEW PROD WEBSITE CARD	1
21013	VALVE STEM, TUBELESS 75MM LONG	1

WARNING: The information contained herein is proprietary and confidential to Reynolds Cycling and Reynolds Cycling affiliates. This document is not intended for public distribution or disclosure. This document may be referenced and reproduced for and by Reynolds Cycling and Reynolds Cycling affiliates only.

AR58/62 X TUBELESS CLINCHER DB



FREEHUB OPTIONS

20783	O-RING, GW DB END CAPS
22099	SPACER, GW, RED 17.5*15*2.1mm
22120	END CAP, GW DB FRNT 9MM QR
22121	END CAP, GW DB FRNT 12MM TA
22122	END CAP, GW DB FRNT 15MM TA
22124	END CAP, GW DB REAR 9/135 QR
22126	END CAP, GW DB R 12/135 TA
22128	END CAP, GW DB R 12/142 TA
22567	FREEHUB, GW TR3 XD 4 PAWL 3 BEARING
22568	FREEHUB, GW TR3 CAMPY 4 PAWL 3 BEARING
22569	FREEHUB, GW TR3 SPL 4 PAWL 3 BEARING
22570	FREEHUB, GW TR3 XDR 4 PAWL 3 BEARING
22161	AXLE, GW FRONT TA
22158	AXLE, GW DB REAR 15/12/125 ALLOY 135/142
22163	SEAL, GW REAR HUB NDS

78461	WS, 58/62x TL DB SHIM 24/24	
78463	W, AR58x TL DB FRONT 24H	1
68464	D RIM, HIO AR58 TL DB 24H	1
20918	RIM TAPE, TL 22MM 5.5M INSTALED	1
22112	HUB, GW FRONT DB 12MM 24H	1
21646	SPOKE, SPM CXSPNT SP 263MM BLK	12
21647	SPOKE, SPM CXSPNT SP 264MM BLK	12
20311	NIPPLE, EXT BLACK ALLOY SQ HEAD	24
20007	DECAL, NOT INTENDED FOR RB USE	1
20008	DECAL, REGISTER WHEELS	1
20332	WHEEL RAP HANG TAG	1
20119	BOX, TW DBLE WHL RNLD BOX 2016	0.5
78474	W, AR62x TL DB SHIM 24H	1
68474	D RIM, HIO AR62 TL DB 24H	1
20919	RIM TAPE, TL 25MM 5.5M INSTALED	1
22102	HUB, GW CL DB SHIM 12/142 24H	1
21644	SPOKE, SPM CXSPNT SP 259MM BLK	12
21646	SPOKE, SPM CXSPNT SP 263MM BLK	12
20311	NIPPLE, EXT BLACK ALLOY SQ HEAD	24
20007	DECAL, NOT INTENDED FOR RB USE	1
20008	DECAL, REGISTER WHEELS	1
20332	WHEEL RAP HANG TAG	1
20119	BOX, TW DBLE WHL RNLD BOX 2016	0.5
85579	W ACC KIT, STRIKE C TL DB FRNT	1
3040	9 X 12 X 4MIL ZIP LOCK BAG	1
20333	REYNOLDS NEW PROD WEBSITE CARD	1
21013	VALVE STEM, TUBELESS 75MM LONG	1
22122	END CAP, GW DB FRNT 15MM TA	1
85580	W ACC KIT, STRIKE C TL DB REAR	1
3040	9 X 12 X 4MIL ZIP LOCK BAG	1
20333	REYNOLDS NEW PROD WEBSITE CARD	1
21013	VALVE STEM, TUBELESS 75MM LONG	1

WARNING: The information contained herein is proprietary and confidential to Reynolds Cycling and Reynolds Cycling affiliates. This document is not intended for public distribution or disclosure. This document may be referenced and reproduced for and by Reynolds Cycling and Reynolds Cycling affiliates only.

AR58 650B TUBELESS CLINCHER DB



FREEHUB OPTIONS

20783	O-RING, GW DB END CAPS
22099	SPACER, GW, RED 17.5*15*2.1mm
22120	END CAP, GW DB FRNT 9MM QR
22121	END CAP, GW DB FRNT 12MM TA
22122	END CAP, GW DB FRNT 15MM TA
22124	END CAP, GW DB REAR 9/135 QR
22126	END CAP, GW DB R 12/135 TA
22128	END CAP, GW DB R 12/142 TA
22567	FREEHUB, GW TR3 XD 4 PAWL 3 BEARING
22568	FREEHUB, GW TR3 CAMPY 4 PAWL 3 BEARING
22569	FREEHUB, GW TR3 SPL 4 PAWL 3 BEARING
22570	FREEHUB, GW TR3 XDR 4 PAWL 3 BEARING
22161	AXLE, GW FRONT TA
22158	AXLE, GW DB REAR 15/12/125 ALLOY 135/142
22163	SEAL, GW REAR HUB NDS

78411	WS, AR58 650b DB SHIM 24/24	
78413	W, AR58 650b DB FRONT 24H	1
58444	D RIM, AR58 650b DB 24H	1
20918	RIM TAPE, TL 22MM 5.5M INSTALED	1
22142	HUB, GW TR3 FRNT DB 12/100 24H	1
22402	SPOKE, SPM SPRINT SP 246MM BLK	24
20355	NIPPLE, EXT BLACK BRASS SQ HEAD	24
22326	DECAL, AR58 650b DB	1
20007	DECAL, NOT INTENDED FOR RB USE	1
20008	DECAL, REGISTER WHEELS	1
20332	WHEEL RAP HANG TAG	1
20119	BOX, TW DBLE WHL RNLD BOX 2016	0.5
78414	W, AR58 650b DB SHIM 24H	1
58444	D RIM, AR58 650b DB 24H	1
20918	RIM TAPE, TL 22MM 5.5M INSTALED	1
22143	HUB, GW TR3 SHIM DB 142/12 24H	1
22386	SPOKE, SPM SPRINT SP 244MM BLK	12
22403	SPOKE, SPM SPRINT SP 247MM BLK	12
20355	NIPPLE, EXT BLACK BRASS SQ HEAD	24
22326	DECAL, AR58 650b DB	1
20007	DECAL, NOT INTENDED FOR RB USE	1
20008	DECAL, REGISTER WHEELS	1
20332	WHEEL RAP HANG TAG	1
20119	BOX, TW DBLE WHL RNLD BOX 2016	0.5
85579	W ACC KIT, STRIKE C TL DB FRNT	1
3040	9 X 12 X 4MIL ZIP LOCK BAG	1
20333	REYNOLDS NEW PROD WEBSITE CARD	1
21013	VALVE STEM, TUBELESS 75MM LONG	1
22122	END CAP, GW DB FRNT 15MM TA	1
85580	W ACC KIT, STRIKE C TL DB REAR	1
3040	9 X 12 X 4MIL ZIP LOCK BAG	1
20333	REYNOLDS NEW PROD WEBSITE CARD	1
21013	VALVE STEM, TUBELESS 75MM LONG	1

WARNING: The information contained herein is proprietary and confidential to Reynolds Cycling and Reynolds Cycling affiliates. This document is not intended for public distribution or disclosure. This document may be referenced and reproduced for and by Reynolds Cycling and Reynolds Cycling affiliates only.

AR58 X 650B TUBELESS CLINCHER DB



FREEHUB OPTIONS

20783	O-RING, GW DB END CAPS
22099	SPACER, GW, RED 17.5*15*2.1mm
22120	END CAP, GW DB FRNT 9MM QR
22121	END CAP, GW DB FRNT 12MM TA
22122	END CAP, GW DB FRNT 15MM TA
22124	END CAP, GW DB REAR 9/135 QR
22126	END CAP, GW DB R 12/135 TA
22128	END CAP, GW DB R 12/142 TA
22567	FREEHUB, GW TR3 XD 4 PAWL 3 BEARING
22568	FREEHUB, GW TR3 CAMPY 4 PAWL 3 BEARING
22569	FREEHUB, GW TR3 SPL 4 PAWL 3 BEARING
22570	FREEHUB, GW TR3 XDR 4 PAWL 3 BEARING
22161	AXLE, GW FRONT TA
22158	AXLE, GW DB REAR 15/12/125 ALLOY 135/142
22163	SEAL, GW REAR HUB NDS

78441	WS, AR58x 650b DB SHIM 24/24	
78443	W, AR58x 650b DB FRONT 24H	1
68444	D RIM, H/O AR58 650b DB 24H	1
20918	RIM TAPE, TL 22MM 5.5M INSTALED	1
22112	HUB, GW FRONT DB 12MM 24H	1
21669	SPOKE, SPM CXSPNT SP 246MM BLK	24
20311	NIPPLE, EXT BLACK ALLOY SQ HEAD	24
20007	DECAL, NOT INTENDED FOR RB USE	1
20008	DECAL, REGISTER WHEELS	1
20332	WHEEL RAP HANG TAG	1
20119	BOX, TW DBLE WHL RNLD BOX 2016	0.5
78444	W, AR58x 650b DB SHIM 24H	1
68444	D RIM, H/O AR58 650b DB 24H	1
20918	RIM TAPE, TL 22MM 5.5M INSTALED	1
22102	HUB, GW CL DB SHIM 12/142 24H	1
21549	SPOKE, SPM CXSPNT SP 244MM BLK	12
21670	SPOKE, SPM CXSPNT SP 248MM BLK	12
20311	NIPPLE, EXT BLACK ALLOY SQ HEAD	24
20007	DECAL, NOT INTENDED FOR RB USE	1
20008	DECAL, REGISTER WHEELS	1
20332	WHEEL RAP HANG TAG	1
20119	BOX, TW DBLE WHL RNLD BOX 2016	0.5
85579	W ACC KIT, STRIKE C TL DB FRNT	1
3040	9 X 12 X 4MIL ZIP LOCK BAG	1
20333	REYNOLDS NEW PROD WEBSITE CARD	1
21013	VALVE STEM, TUBELESS 75MM LONG	1
22122	END CAP, GW DB FRNT 15MM TA	1
85580	W ACC KIT, STRIKE C TL DB REAR	1
3040	9 X 12 X 4MIL ZIP LOCK BAG	1
20333	REYNOLDS NEW PROD WEBSITE CARD	1
21013	VALVE STEM, TUBELESS 75MM LONG	1

WARNING: The information contained herein is proprietary and confidential to Reynolds Cycling and Reynolds Cycling affiliates. This document is not intended for public distribution or disclosure. This document may be referenced and reproduced for and by Reynolds Cycling and Reynolds Cycling affiliates only.

AR80 TUBELESS CLINCHER DB



FREEHUB OPTIONS

20783	O-RING, GW DB END CAPS
22099	SPACER, GW, RED 17.5*15*2.1mm
22120	END CAP, GW DB FRNT 9MM QR
22121	END CAP, GW DB FRNT 12MM TA
22122	END CAP, GW DB FRNT 15MM TA
22124	END CAP, GW DB REAR 9/135 QR
22126	END CAP, GW DB R 12/135 TA
22128	END CAP, GW DB R 12/142 TA
22567	FREEHUB, GW TR3 XD 4 PAWL 3 BEARING
22568	FREEHUB, GW TR3 CAMPY 4 PAWL 3 BEARING
22569	FREEHUB, GW TR3 SPL 4 PAWL 3 BEARING
22570	FREEHUB, GW TR3 XDR 4 PAWL 3 BEARING
22161	AXLE, GW FRONT TA
22158	AXLE, GW DB REAR 15/12/125 ALLOY 135/142
22163	SEAL, GW REAR HUB NDS

78846	WS, AR80 DB SHIMANO 24/24H	
78848	W, AR80 DB FRONT 24H	1
58849	D RIM, AR80 TL DB 24H EXT	1
20918	RIM TAPE, TL 22MM 5.5M INSTALED	1
22142	HUB, GW TR3 FRNT DB 12/100 24H	1
22386	SPOKE, SPM SPRINT SP 244MM BLK	12
22385	SPOKE, SPM SPRINT SP 243MM BLK	12
20355	NIPPLE, EXT BLACK BRASS SQ HEAD	24
22122	END CAP, GW DB FRNT 15MM TA	1
22311	DECAL, AR80	1
20007	DECAL, NOT INTENDED FOR RB USE	1
20008	DECAL, REGISTER WHEELS	1
20332	WHEEL RAP HANG TAG	1
20119	BOX, TW DBLE WHL RNLD BOX 2016	0.5
85542	W ACC KIT, AM DB 100MM BRASS TL	1
3040	9 X 12 X 4MIL ZIP LOCK BAG	1
20333	REYNOLDS NEW PROD WEBSITE CARD	1
21787	VALVE STEM, TL BRASS 100MM LONG	1
78849	W, AR80 DB SHIMANO 24H	1
58849	D RIM, AR80 TL DB 24H EXT	1
20918	RIM TAPE, TL 22MM 5.5M INSTALLED	1
22143	HUB, GW TR3 SHIM DB 142/12 24H	1
22386	SPOKE, SPM SPRINT SP 244MM BLK	12
22434	SPOKE, SPM SPRINT SP 240MM BLK	12
20355	NIPPLE, EXT BLACK BRASS SQ HEAD	24
22311	DECAL, AR80	1
20007	DECAL, NOT INTENDED FOR RB USE	1
20008	DECAL, REGISTER WHEELS	1
20332	WHEEL RAP HANG TAG	1
20119	BOX, TW DBLE WHL RNLD BOX 2016	0.5
85542	W ACC KIT, AM DB 100MM BRASS TL	1
3040	9 X 12 X 4MIL ZIP LOCK BAG	1
20333	REYNOLDS NEW PROD WEBSITE CARD	1
21787	VALVE STEM, TL BRASS 100MM LONG	1

WARNING: The information contained herein is proprietary and confidential to Reynolds Cycling and Reynolds Cycling affiliates. This document is not intended for public distribution or disclosure. This document may be referenced and reproduced for and by Reynolds Cycling and Reynolds Cycling affiliates only.

AR80 X TUBELESS CLINCHER DB



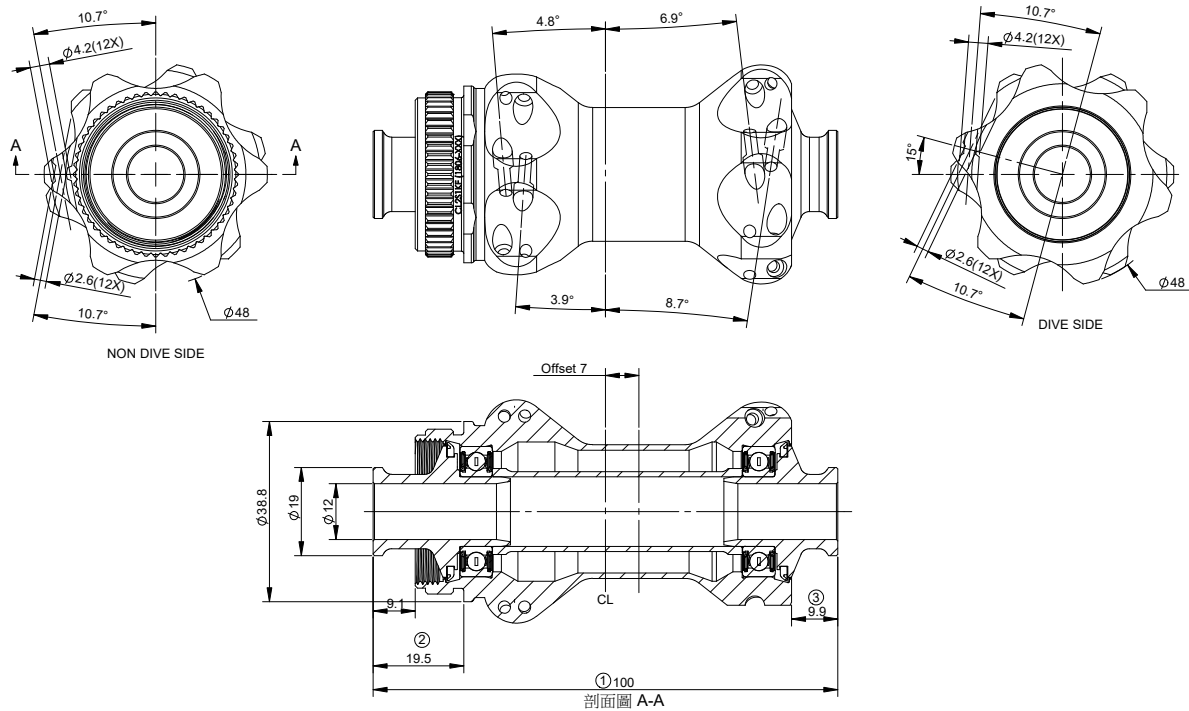
FREEHUB OPTIONS

20783	O-RING, GW DB END CAPS
22099	SPACER, GW, RED 17.5*15*2.1mm
22120	END CAP, GW DB FRNT 9MM QR
22121	END CAP, GW DB FRNT 12MM TA
22122	END CAP, GW DB FRNT 15MM TA
22124	END CAP, GW DB REAR 9/135 QR
22126	END CAP, GW DB R 12/135 TA
22128	END CAP, GW DB R 12/142 TA
22567	FREEHUB, GW TR3 XD 4 PAWL 3 BEARING
22568	FREEHUB, GW TR3 CAMPY 4 PAWL 3 BEARING
22569	FREEHUB, GW TR3 SPL 4 PAWL 3 BEARING
22570	FREEHUB, GW TR3 XDR 4 PAWL 3 BEARING
22161	AXLE, GW FRONT TA
22158	AXLE, GW DB REAR 15/12/125 ALLOY 135/142
22163	SEAL, GW REAR HUB NDS

78896	WS, AR80x DB SHIMANO 24/24	
78898	W, AR80x DB FRONT 24H	1
68849	D RIM, H2O AR80 TL DB 24H EXT	1
20918	RIM TAPE, TL 22MM 5.5M INSTALED	1
22112	HUB, GW FRONT DB 12MM 24H	1
21549	SPOKE, SPM CXSPNT SP 244MM BLK	12
21718	SPOKE, SPM CXSPNT SP 242MM BLK	12
20311	NIPPLE, EXT BLACK ALLOY SQ HEAD	24
22122	END CAP, GW DB FRNT 15MM TA	1
20007	DECAL, NOT INTENDED FOR RB USE	1
20008	DECAL, REGISTER WHEELS	1
20332	WHEEL RAP HANG TAG	1
20119	BOX, TW DBLE WHL RNLD BOX 2016	0.5
85547	W ACC KIT, AM DB 100MM ALLOY TL	1
3040	9 X 12 X 4MIL ZIP LOCK BAG	1
20333	REYNOLDS NEW PROD WEBSITE CARD	1
21777	VALVE STEM, TL ALLOY 100MM LONG	1
78899	W, AR80x DB SHIMANO 24H	1
68849	D RIM, H2O AR80 TL DB 24H EXT	1
20919	RIM TAPE, TL 25MM 5.5M INSTALED	1
22102	HUB, GW CL DB SHIM 12/142 24H	1
21549	SPOKE, SPM CXSPNT SP 244MM BLK	12
21722	SPOKE, SPM CXSPNT SP 240MM BLK	12
20311	NIPPLE, EXT BLACK ALLOY SQ HEAD	24
20007	DECAL, NOT INTENDED FOR RB USE	1
20008	DECAL, REGISTER WHEELS	1
20332	WHEEL RAP HANG TAG	1
20119	BOX, TW DBLE WHL RNLD BOX 2016	0.5
85547	W ACC KIT, AM DB 100MM ALLOY TL	1
3040	9 X 12 X 4MIL ZIP LOCK BAG	1
20333	REYNOLDS NEW PROD WEBSITE CARD	1
21777	VALVE STEM, TL ALLOY 100MM LONG	1

WARNING: The information contained herein is proprietary and confidential to Reynolds Cycling and Reynolds Cycling affiliates. This document is not intended for public distribution or disclosure. This document may be referenced and reproduced for and by Reynolds Cycling and Reynolds Cycling affiliates only.

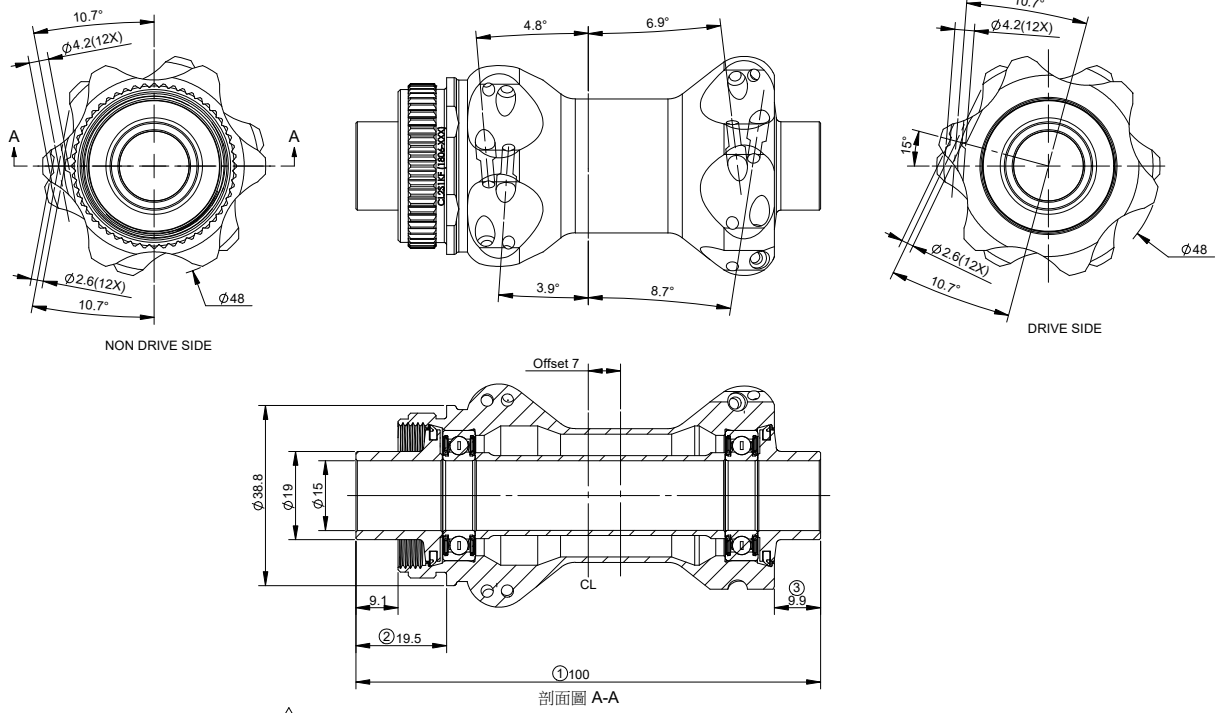
GW FRONT DB 12MM 24H



ITEM #	PART #	DESCRIPTION	QTY
1	N/A	Hub Shell	1
2	22121	END CAP, GW DB FRNT 12MM TA	1
3	N/A	See #2	
4	20156	BEARING, 6902, ENDURO	1
5	22161	AXLE, GW FRONT TA	1

WARNING: The information contained herein is proprietary and confidential to Reynolds Cycling and Reynolds Cycling affiliates. This document is not intended for public distribution or disclosure. This document may be referenced and reproduced for and by Reynolds Cycling and Reynolds Cycling affiliates only.

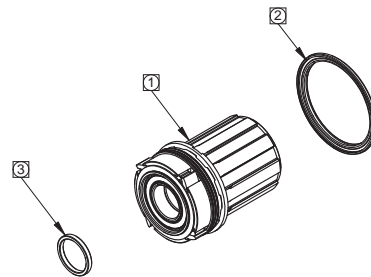
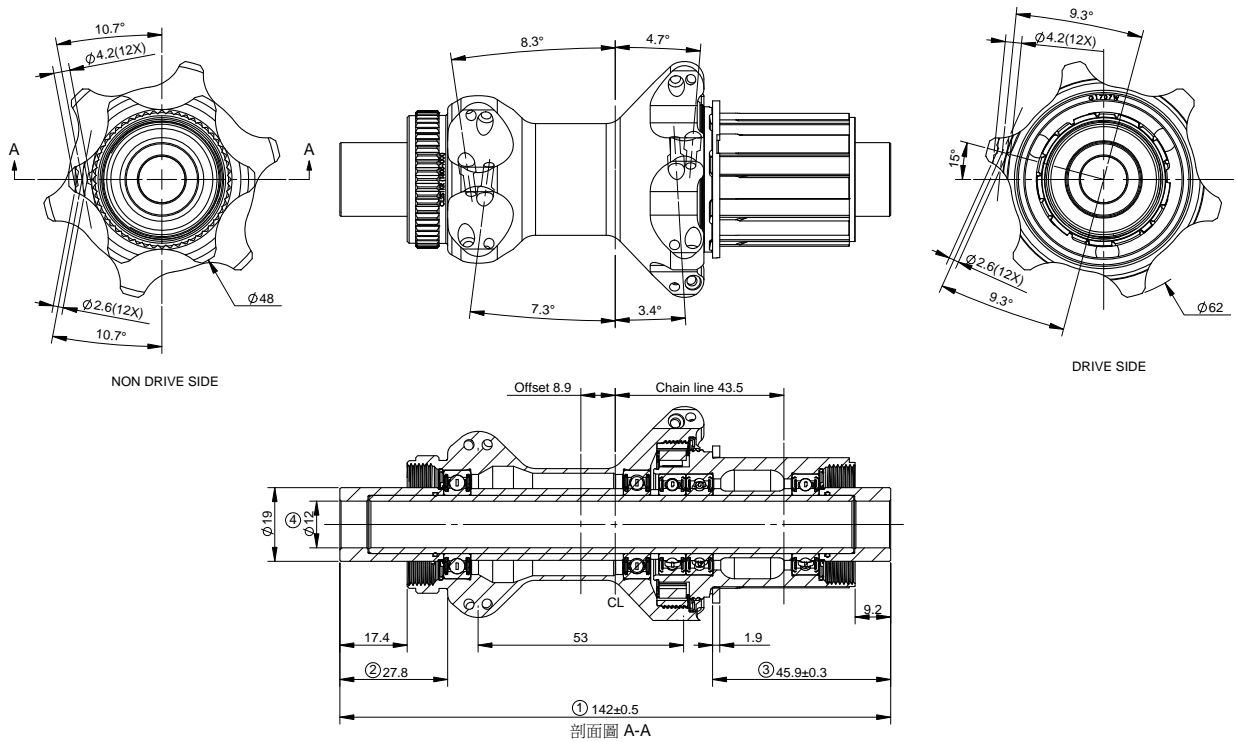
GW FRONT DB 15MM 24H



ITEM #	PART #	DESCRIPTION	QTY
1	N/A	Hub Shell	1
2	22121	END CAP, GW DB FRNT 12MM TA	1
3	N/A	See #2	
4	20156	BEARING, 6902, ENDURO	1
5	22161	AXLE, GW FRONT TA	1

WARNING: The information contained herein is proprietary and confidential to Reynolds Cycling and Reynolds Cycling affiliates. This document is not intended for public distribution or disclosure. This document may be referenced and reproduced for and by Reynolds Cycling and Reynolds Cycling affiliates only.

GW CL DB SHIM 12142 24H

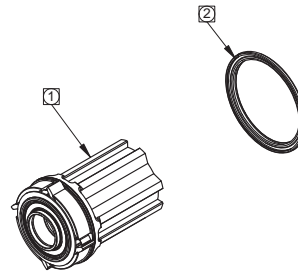
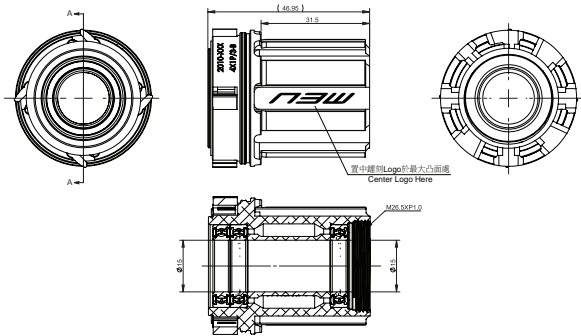
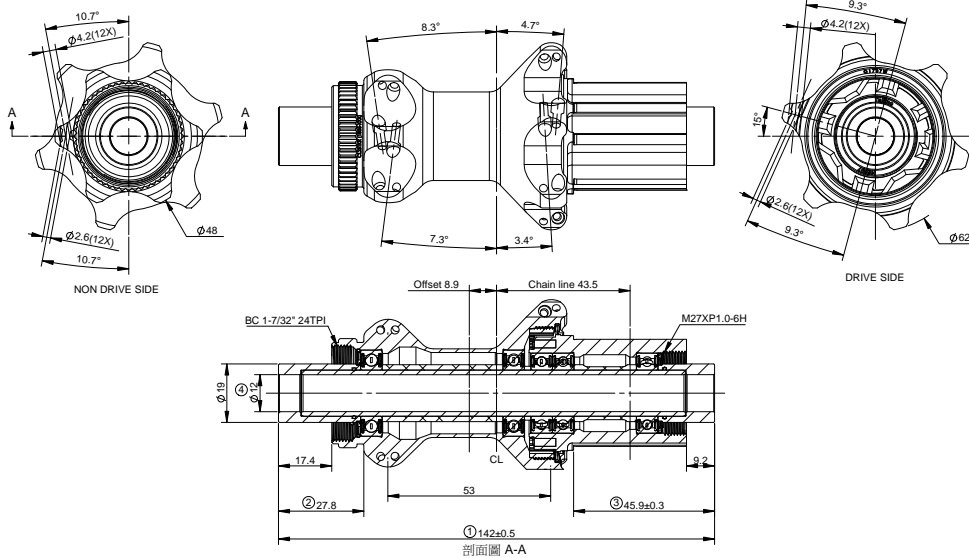


ITEM #	PART #	DESCRIPTION	QTY
1	N/A	Hub Shell	
2	20156	BEARING, 6902, ENDURO	2
3	22162	SPACER, GW REAR AXLE	1
4	N/A	RATCHET RING	
5	N/A	Seal Ring	1
6	22158	AXLE, GW DB REAR 15/12/125 ALLOY 135/142	1
7	22569	FREEHUB, GW TR3 SPL 4 PAWL 3 BEARING	1
8	N/A	Spacer	
9	22130	END CAP, GW RB REAR QR 9/130	1
10	N/A	See 9	

ITEM #	PART #	DESCRIPTION	QTY
1	22569	FREEHUB, GW TR3 SPL 4 PAWL 3 BEARING	1
	22570	FREEHUB, GW TR3 XDR 4 PAWL 3 BEARING	1
	22568	FREEHUB, GW TR3 CAMPY 4 PAWL 3 BEARING	1
	423-39079	FREEHUB, GW CAMPY N3W 11-13SPD 4 PAWL 3 BEARING	1
2	N/A	SEAL RING	

WARNING: The information contained herein is proprietary and confidential to Reynolds Cycling and Reynolds Cycling affiliates. This document is not intended for public distribution or disclosure. This document may be referenced and reproduced for and by Reynolds Cycling and Reynolds Cycling affiliates only.

GW CL DB CAMPY 12142 24H

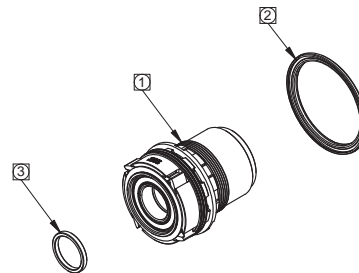
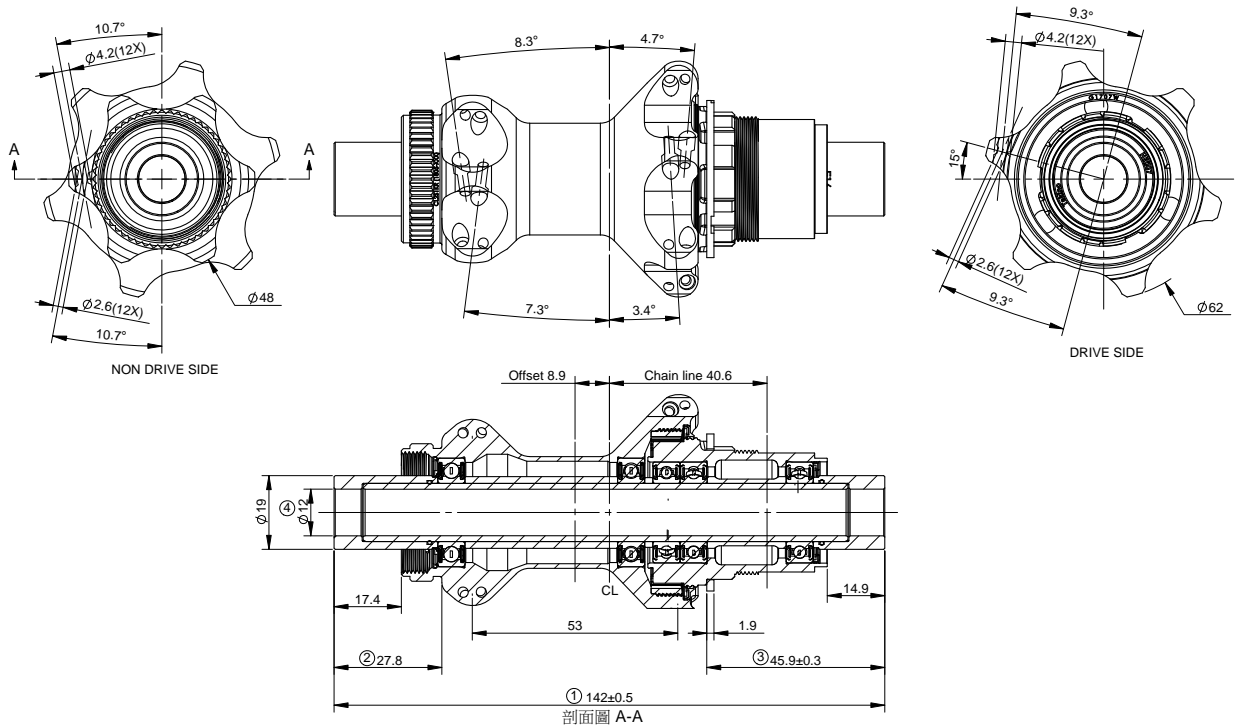


ITEM #	PART #	DESCRIPTION	QTY
1	N/A	Hub Shell	
2	20156	BEARING, 6902, ENDURO	2
3	22162	SPACER, GW REAR AXLE	1
4	N/A	RATCHET RING	
5	N/A	Seal Ring	1
6	22159	AXLE, GW RB REAR 15/20/120 ALLOY 130	1
7	22099	SPACER, GW, RED 17.5*15*2.1 mm	1
8	22570	FREEHUB, GW TR3 XDR 4 PAWL 3 BEARING	1
9	22130	END CAP, GW RB REAR QR 9/130	1
10	N/A	See 9	

ITEM #	PART #	DESCRIPTION	QTY
1	22569	FREEHUB, GW TR3 SPL 4 PAWL 3 BEARING	1
	22570	FREEHUB, GW TR3 XDR 4 PAWL 3 BEARING	1
	22568	FREEHUB, GW TR3 CAMPY 4 PAWL 3 BEARING	1
	423-39079	FREEHUB, GW CAMPY N3W 11-13SPD 4 PAWL 3 BEARING	1
2	N/A	SEAL RING	

WARNING: The information contained herein is proprietary and confidential to Reynolds Cycling and Reynolds Cycling affiliates. This document is not intended for public distribution or disclosure. This document may be referenced and reproduced for and by Reynolds Cycling and Reynolds Cycling affiliates only.

GW CL DB XDR 12142 24H



ITEM #	PART #	DESCRIPTION	QTY
1	N/A	Hub Shell	
2	20156	BEARING, 6902, ENDURO	2
3	22162	SPACER, GW REAR AXLE	1
4	N/A	RATCHET RING	
5	N/A	Seal Ring	1
6	22158	AXLE, GW DB REAR 15/12/125 ALLOY 135/142	1
7	22569	FREEHUB, GW TR3 SPL 4 PAWL 3 BEARING	1
8	N/A	Spacer	
9	22130	END CAP, GW RB REAR QR 9/130	1
10	N/A	See 9	

ITEM #	PART #	DESCRIPTION	QTY
1	22569	FREEHUB, GW TR3 SPL 4 PAWL 3 BEARING	1
	22570	FREEHUB, GW TR3 XDR 4 PAWL 3 BEARING	1
	22568	FREEHUB, GW TR3 CAMPY 4 PAWL 3 BEARING	1
	423-39079	FREEHUB, GW CAMPY N3W 11-13SPD 4 PAWL 3 BEARING	1
2	N/A	SEAL RING	

WARNING: The information contained herein is proprietary and confidential to Reynolds Cycling and Reynolds Cycling affiliates. This document is not intended for public distribution or disclosure. This document may be referenced and reproduced for and by Reynolds Cycling and Reynolds Cycling affiliates only.

ATR & ATR X BLACKLABEL DISC BRAKE



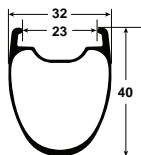
ATR & ATR X GRAVEL DISC BRAKE



ATR 650B & ATR X 650B GRAVEL DISC BRAKE

WARNING: The information contained herein is proprietary and confidential to Reynolds Cycling and Reynolds Cycling affiliates. This document is not intended for public distribution or disclosure. This document may be referenced and reproduced for and by Reynolds Cycling and Reynolds Cycling affiliates only.

BLACKLABEL ATR 700C



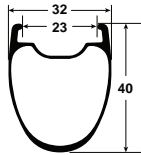
FREEHUB OPTIONS

21793	SPACER, I9 REAR AXLE
21791	AXLE, I9 DB REAR CL 15/12/1
21867	END CAP, I9 DB FRT QR 9X100
21868	END CAP, I9 DB FRT TA 12X100
21869	END CAP, I9 DB FRT TA 15X100
21870	END CAP, I9 DB REAR QR 9X135
21871	END CAP, I9 DB REAR TA 12X142
21872	END CAP, I9 DB REAR TA 12X135
21856	FREEHUB, I9 RB/DB SHIM 10/11SP
21857	FREEHUB, I9 RB/DB XDR 11/12SPD
21858	FREEHUB, I9 RB/DB CAMPY 11 SPD
20158	BEARING, MR17287
20167	BEARING, ENDURO 61803 ABEC 5
20169	BEARING, ENDURO 61903 ABEC 5
21847	HUB I9 ROAD 3 PAWL SPRING KIT

78241	WS, BL ATR 700c DB TL SHIM 20/	
78243	W, BL ATR 700c DB TL FRNT 20H	1.00
67323	D RIM, BL ATR 700c H2O 20H	1.00
20311	NIPPLE,EXT BLACK ALLOY SQ HEAD	20.00
20332	WHEEL RAP HANG TAG	1.00
20919	RIM TAPE,TL 25MM 5.5M INSTALED	1.00
21532	SPOKE, SPM CX-RAY SP 288MM BLK	10.00
21768	SPOKE, SPM CX-RAY SP 287MM BLK	10.00
21860	HUB, i9 DB CL 12MM FRONT 20H	1.00
85582	W, ACC KIT, AM DB 60MM ALLOYTL F	1.00
78244	W, BL ATR 700c DB TL SHIM 24H	1.00
67325	D RIM, BL ATR 700c H2O 24H	1.00
20311	NIPPLE,EXT BLACK ALLOY SQ HEAD	24.00
20332	WHEEL RAP HANG TAG	1.00
20919	RIM TAPE,TL 25MM 5.5M INSTALED	1.00
21593	SPOKE, SPM CX-RAY SP 280MM BLK	12.00
21596	SPOKE, SPM CX-RAY SP 283MM BLK	12.00
21861	HUB, i9 DB CL 142/12 SHIM 24H	1.00
85582	W ACC KIT, 46 AERO TL DB REAR	1.00
78242	WS, BL ATR 700c DB TL XD 20/24	
78243	W, BL ATR 700c DB TL FRNT 20H	1.00
78245	W, BL ATR 700c DB TL XD 24H	1.00
67325	D RIM, BL ATR 700c H2O 24H	1.00
20311	NIPPLE,EXT BLACK ALLOY SQ HEAD	24.00
20919	RIM TAPE,TL 25MM 5.5M INSTALED	1.00
21593	SPOKE, SPM CX-RAY SP 280MM BLK	12.00
21596	SPOKE, SPM CX-RAY SP 283MM BLK	12.00
21866	HUB, i9 DB CL 142/12 XD 24H	1.00
85582	W, ACC KIT, AM DB 60MM ALLOYTL R	1.00

WARNING: The information contained herein is proprietary and confidential to Reynolds Cycling and Reynolds Cycling affiliates. This document is not intended for public distribution or disclosure. This document may be referenced and reproduced for and by Reynolds Cycling and Reynolds Cycling affiliates only.

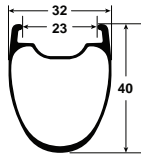
BLACKLABEL ATR 650B



78236	WS, BL ATR 650b DB TL SHIM 20/	
78238	W, BL ATR 650b DB TL FRNT 20H	1.00
67313	D RIM, BL ATR 650b H2O 20H	1.00
20311	NIPPLE,EXT BLACK ALLOY SQ HEAD	20.00
20332	WHEEL RAP HANG TAG	1.00
20919	RIM TAPE,TL 25MM 5.5M INSTALED	1.00
21589	SPOKE, SPM CX-RAY SP 268MM BLK	10.00
21590	SPOKE, SPM CX-RAY SP 269MM BLK	10.00
21860	HUB, i9 DB CL 12MM FRONT 20H	1.00
85581	W, ACC KIT, AM DB 60MM ALLOYTL F	1.00
78239	W, BL ATR 650b DB TL SHIM 24H	1.00
67315	D RIM, BL ATR 650b H2O 24H	1.00
20311	NIPPLE,EXT BLACK ALLOY SQ HEAD	24.00
20332	WHEEL RAP HANG TAG	1.00
20919	RIM TAPE,TL 25MM 5.5M INSTALED	1.00
21575	SPOKE, SPM CX-RAY SP 260MM BLK	12.00
21763	SPOKE, SPM CX-RAY SP 264MM BLK	12.00
21861	HUB, i9 DB CL 142/12 SHIM 24H	1.00
85582	W, ACC KIT, AM DB 60MM ALLOYTL R	1.00
78237	WS, BL ATR 650b DB TL XD 20/24	
78238	W, BL ATR 650b DB TL FRNT 20H	1.00
78240	W, BL ATR 650b DB TL XD 24H	1.00
67315	D RIM, BL ATR 650b H2O 24H	1.00
20311	NIPPLE,EXT BLACK ALLOY SQ HEAD	24.00
20332	WHEEL RAP HANG TAG	1.00
20919	RIM TAPE,TL 25MM 5.5M INSTALED	1.00
21575	SPOKE, SPM CX-RAY SP 260MM BLK	12.00
21763	SPOKE, SPM CX-RAY SP 264MM BLK	12.00
21866	HUB, i9 DB CL 142/12 XD 24H	1.00
85582	W, ACC KIT, AM DB 60MM ALLOYTL R	1.00

WARNING: The information contained herein is proprietary and confidential to Reynolds Cycling and Reynolds Cycling affiliates. This document is not intended for public distribution or disclosure. This document may be referenced and reproduced for and by Reynolds Cycling and Reynolds Cycling affiliates only.

ATR X 700C



FREEHUB OPTIONS

20783	O-RING, GW DB END CAPS
22099	SPACER, GW, RED 17.5*15*2.1mm
22120	END CAP, GW DB FRNT 9MM QR
22121	END CAP, GW DB FRNT 12MM TA
22122	END CAP, GW DB FRNT 15MM TA
22124	END CAP, GW DB REAR 9/135 QR
22126	END CAP, GW DB R 12/135 TA
22128	END CAP, GW DB R 12/142 TA
22567	FREEHUB, GW TR3 XD 4 PAWL 3 BEARING
22568	FREEHUB, GW TR3 CAMPY 4 PAWL 3 BEARING
22569	FREEHUB, GW TR3 SPL 4 PAWL 3 BEARING
22570	FREEHUB, GW TR3 XDR 4 PAWL 3 BEARING
22161	AXLE, GW FRONT TA
22158	AXLE, GW DB REAR 15/12/125 ALLOY 135/142
22163	SEAL, GW REAR HUB NDS

77321	WS, ATRx TL DB SHIM 24/24	
77323	W, ATRx TL DB FRONT 24H	1
67324	D RIM, H/O ATR TL DB 24H	1
20919	RIM TAPE, TL 25MM 5.5M INSTALED	1
22112	HUB, GW FRONT DB 12MM 24H	1
21626	SPOKE, SPM RACE 282MM SP BLK	24
20311	NIPPLE, EXT BLACK ALLOY SQ HEAD	24
20008	DECAL, REGISTER WHEELS	1
20007	DECAL, NOT INTENDED FOR RB USE	1
20332	WHEEL RAP HANG TAG	1
20119	BOX, TW DBLE WHL RNLD BOX	0.5
77324	W, ATRx TL DB SHIM 24H	1
67324	D RIM, H/O ATR TL DB 24H	1
20919	RIM TAPE, TL 25MM 5.5M INSTALED	1
22102	HUB, GW CL DB SHIM 12/142 24H	1
21624	SPOKE, SPM RACE 280MM SP BLK	12
21627	SPOKE, SPM RACE SP 283MM BLK	12
20311	NIPPLE, EXT BLACK ALLOY SQ HEAD	24
20008	DECAL, REGISTER WHEELS	1
20007	DECAL, NOT INTENDED FOR RB USE	1
20332	WHEEL RAP HANG TAG	1
20119	BOX, TW DBLE WHL RNLD BOX	0.5
85577	W ACC KIT, ASLT/ATR C TL DB FR	1
3040	9 X 12 X 4MIL ZIP LOCK BAG	1
20333	REYNOLDS NEW PROD WEBSITE CARD	1
21012	VALVE STEM, TUBELESS 55MM LONG	1
22122	END CAP, GW DB FRNT 15MM TA	1
85578	W ACC KIT, ASLT/ATR C TL DB RE	1
3040	9 X 12 X 4MIL ZIP LOCK BAG	1
20333	REYNOLDS NEW PROD WEBSITE CARD	1
21012	VALVE STEM, TUBELESS 55MM LONG	1

WARNING: The information contained herein is proprietary and confidential to Reynolds Cycling and Reynolds Cycling affiliates. This document is not intended for public distribution or disclosure. This document may be referenced and reproduced for and by Reynolds Cycling and Reynolds Cycling affiliates only.

ATR X 650B



FREEHUB OPTIONS

20783	O-RING, GW DB END CAPS
22099	SPACER, GW, RED 17.5*15*2.1mm
22120	END CAP, GW DB FRNT 9MM QR
22121	END CAP, GW DB FRNT 12MM TA
22122	END CAP, GW DB FRNT 15MM TA
22124	END CAP, GW DB REAR 9/135 QR
22126	END CAP, GW DB R 12/135 TA
22128	END CAP, GW DB R 12/142 TA
22567	FREEHUB, GW TR3 XD 4 PAWL 3 BEARING
22568	FREEHUB, GW TR3 CAMPY 4 PAWL 3 BEARING
22569	FREEHUB, GW TR3 SPL 4 PAWL 3 BEARING
22570	FREEHUB, GW TR3 XDR 4 PAWL 3 BEARING
22161	AXLE, GW FRONT TA
22158	AXLE, GW DB REAR 15/12/125 ALLOY 135/142
22163	SEAL, GW REAR HUB NDS

77311	WS, ATRx 650b TL DB SHIM 24/24	
77313	W, ATRx 650b TL DB FRONT 24H	1
67314	D RIM, H/O ATR 650b TL DB 24	1
20919	RIM TAPE, TL 25MM 5.5M INSTALED	1
22112	HUB, GW FRONT DB 12MM 24H	1
21611	SPOKE, SPM RACE SP 262MM BLK	24
20311	NIPPLE, EXT BLACK ALLOY SQ HEAD	24
20008	DECAL, REGISTER WHEELS	1
20007	DECAL, NOT INTENDED FOR RB USE	1
20332	WHEEL RAP HANG TAG	1
20119	BOX, TW DBLE WHL RNLD BOX	0.5
77314	W, ATRx 650b TL DB SHIM 24H	1
67314	D RIM, H/O ATR 650b TL DB 24	1
20919	RIM TAPE, TL 25MM 5.5M INSTALED	1
22102	HUB, GW CL DB SHIM 12/142 24H	1
21610	SPOKE, SPM RACE SP 260MM BLK	12
21613	SPOKE, SPM RACE SP 264MM BLK	12
20311	NIPPLE, EXT BLACK ALLOY SQ HEAD	24
20008	DECAL, REGISTER WHEELS	1
20007	DECAL, NOT INTENDED FOR RB USE	1
20332	WHEEL RAP HANG TAG	1
20119	BOX, TW DBLE WHL RNLD BOX	0.5
85577	W ACC KIT, ASLT/ATR C TL DB FR	1
3040	9 X 12 X 4MIL ZIP LOCK BAG	1
20333	REYNOLDS NEW PROD WEBSITE CARD	1
21012	VALVE STEM, TUBELESS 55MM LONG	1
22122	END CAP, GW DB FRNT 15MM TA	1
85578	W ACC KIT, ASLT/ATR C TL DB RE	1
3040	9 X 12 X 4MIL ZIP LOCK BAG	1
20333	REYNOLDS NEW PROD WEBSITE CARD	1
21012	VALVE STEM, TUBELESS 55MM LONG	1

WARNING: The information contained herein is proprietary and confidential to Reynolds Cycling and Reynolds Cycling affiliates. This document is not intended for public distribution or disclosure. This document may be referenced and reproduced for and by Reynolds Cycling and Reynolds Cycling affiliates only.

ATR 700C



FREEHUB OPTIONS

20783	O-RING, GW DB END CAPS
22099	SPACER, GW, RED 17.5*15*2.1mm
22120	END CAP, GW DB FRNT 9MM QR
22121	END CAP, GW DB FRNT 12MM TA
22122	END CAP, GW DB FRNT 15MM TA
22124	END CAP, GW DB REAR 9/135 QR
22126	END CAP, GW DB R 12/135 TA
22128	END CAP, GW DB R 12/142 TA
22567	FREEHUB, GW TR3 XD 4 PAWL 3 BEARING
22568	FREEHUB, GW TR3 CAMPY 4 PAWL 3 BEARING
22569	FREEHUB, GW TR3 SPL 4 PAWL 3 BEARING
22570	FREEHUB, GW TR3 XDR 4 PAWL 3 BEARING
22161	AXLE, GW FRONT TA
22158	AXLE, GW DB REAR 15/12/125 ALLOY 135/142
22163	SEAL, GW REAR HUB NDS

78221	WS, ATR TL DB SHIM 24/24	
78223	W, ATR TL DB FRONT 24H	1
57324	D RIM, ATR TL DB 24H	1
20919	RIM TAPE, TL 25MM 5.5M INSTALED	1
22142	HUB, GW TR3 FRNT DB 12/100 24H	1
22414	SPOKE, SPM SPRINT SP 282MM BLK	24
20355	NIPPLE, EXT BLACK BRASS SQ HEAD	24
22320	DECAL, ATR DB 2018	1
20008	DECAL, REGISTER WHEELS	1
20007	DECAL, NOT INTENDED FOR RB USE	1
20332	WHEEL RAP HANG TAG	1
20119	BOX, TW DBLE WHL RNLD BOX	0.5
78224	W, ATR TL DB SHIM 24H	1
57324	D RIM, ATR TL DB 24H	1
20919	RIM TAPE, TL 25MM 5.5M INSTALED	1
22143	HUB, GW TR3 SHIM DB 142/12 24H	1
22412	SPOKE, SPM SPRINT SP 280MM BLK	12
22415	SPOKE, SPM SPRINT SP 283MM BLK	12
20355	NIPPLE, EXT BLACK BRASS SQ HEAD	24
22320	DECAL, ATR DB 2018	1
20008	DECAL, REGISTER WHEELS	1
20007	DECAL, NOT INTENDED FOR RB USE	1
20332	WHEEL RAP HANG TAG	1
20119	BOX, TW DBLE WHL RNLD BOX	0.5
85577	W ACC KIT, ASLT/ATR C TL DB FR	1
3040	9 X 12 X 4MIL ZIP LOCK BAG	1
20333	REYNOLDS NEW PROD WEBSITE CARD	1
21012	VALVE STEM, TUBELESS 55MM LONG	1
22122	END CAP, GW DB FRNT 15MM TA	1
85578	W ACC KIT, ASLT/ATR C TL DB RE	1
3040	9 X 12 X 4MIL ZIP LOCK BAG	1
20333	REYNOLDS NEW PROD WEBSITE CARD	1
21012	VALVE STEM, TUBELESS 55MM LONG	1

WARNING: The information contained herein is proprietary and confidential to Reynolds Cycling and Reynolds Cycling affiliates. This document is not intended for public distribution or disclosure. This document may be referenced and reproduced for and by Reynolds Cycling and Reynolds Cycling affiliates only.

ATR 650B



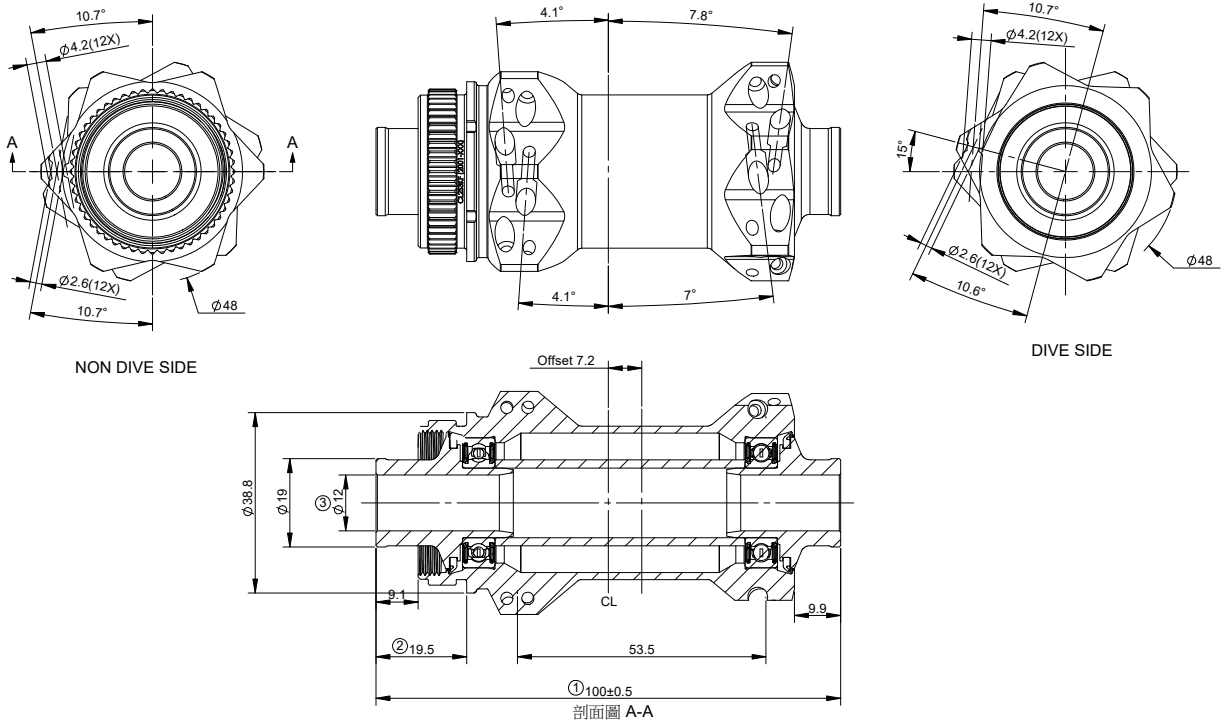
FREEHUB OPTIONS

20783	O-RING, GW DB END CAPS
22099	SPACER, GW, RED 17.5*15*2.1mm
22120	END CAP, GW DB FRNT 9MM QR
22121	END CAP, GW DB FRNT 12MM TA
22122	END CAP, GW DB FRNT 15MM TA
22124	END CAP, GW DB REAR 9/135 QR
22126	END CAP, GW DB R 12/135 TA
22128	END CAP, GW DB R 12/142 TA
22567	FREEHUB, GW TR3 XD 4 PAWL 3 BEARING
22568	FREEHUB, GW TR3 CAMPY 4 PAWL 3 BEARING
22569	FREEHUB, GW TR3 SPL 4 PAWL 3 BEARING
22570	FREEHUB, GW TR3 XDR 4 PAWL 3 BEARING
22161	AXLE, GW FRONT TA
22158	AXLE, GW DB REAR 15/12/125 ALLOY 135/142
22163	SEAL, GW REAR HUB NDS

78211	WS, ATR 650b TL DB SHIM 24/24	
78213	W, ATR 650b TL DB FRONT 24H	1
57314	D RIM, ATR 650b TL DB 24H	1
20919	RIM TAPE, TL 25MM 5.5M INSTALED	1
22142	HUB, GW TR3 FRNT DB 12/100 24H	1
22394	SPOKE, SPM SPRINT SP 262MM BLK	24
20355	NIPPLE, EXT BLACK BRASS SQ HEAD	24
22320	DECAL, ATR DB 2018	1
20008	DECAL, REGISTER WHEELS	1
20007	DECAL, NOT INTENDED FOR RB USE	1
20332	WHEEL RAP HANG TAG	1
20119	BOX, TW DBLE WHL RNLD BOX	0.5
78214	W, ATR 650b TL DB SHIM 24H	1
57314	D RIM, ATR 650b TL DB 24H	1
20919	RIM TAPE, TL 25MM 5.5M INSTALED	1
22143	HUB, GW TR3 SHIM DB 142/12 24H	1
22392	SPOKE, SPM SPRINT SP 260MM BLK	12
22396	SPOKE, SPM SPRINT SP 264MM BLK	12
20355	NIPPLE, EXT BLACK BRASS SQ HEAD	24
22320	DECAL, ATR DB 2018	1
20008	DECAL, REGISTER WHEELS	1
20007	DECAL, NOT INTENDED FOR RB USE	1
20332	WHEEL RAP HANG TAG	1
20119	BOX, TW DBLE WHL RNLD BOX	0.5
85577	W ACC KIT, ASLT/ATR C TL DB FR	1
3040	9 X 12 X 4MIL ZIP LOCK BAG	1
20333	REYNOLDS NEW PROD WEBSITE CARD	1
21012	VALVE STEM, TUBELESS 55MM LONG	1
22122	END CAP, GW DB FRNT 15MM TA	1
85578	W ACC KIT, ASLT/ATR C TL DB RE	1
3040	9 X 12 X 4MIL ZIP LOCK BAG	1
20333	REYNOLDS NEW PROD WEBSITE CARD	1
21012	VALVE STEM, TUBELESS 55MM LONG	1

WARNING: The information contained herein is proprietary and confidential to Reynolds Cycling and Reynolds Cycling affiliates. This document is not intended for public distribution or disclosure. This document may be referenced and reproduced for and by Reynolds Cycling and Reynolds Cycling affiliates only.

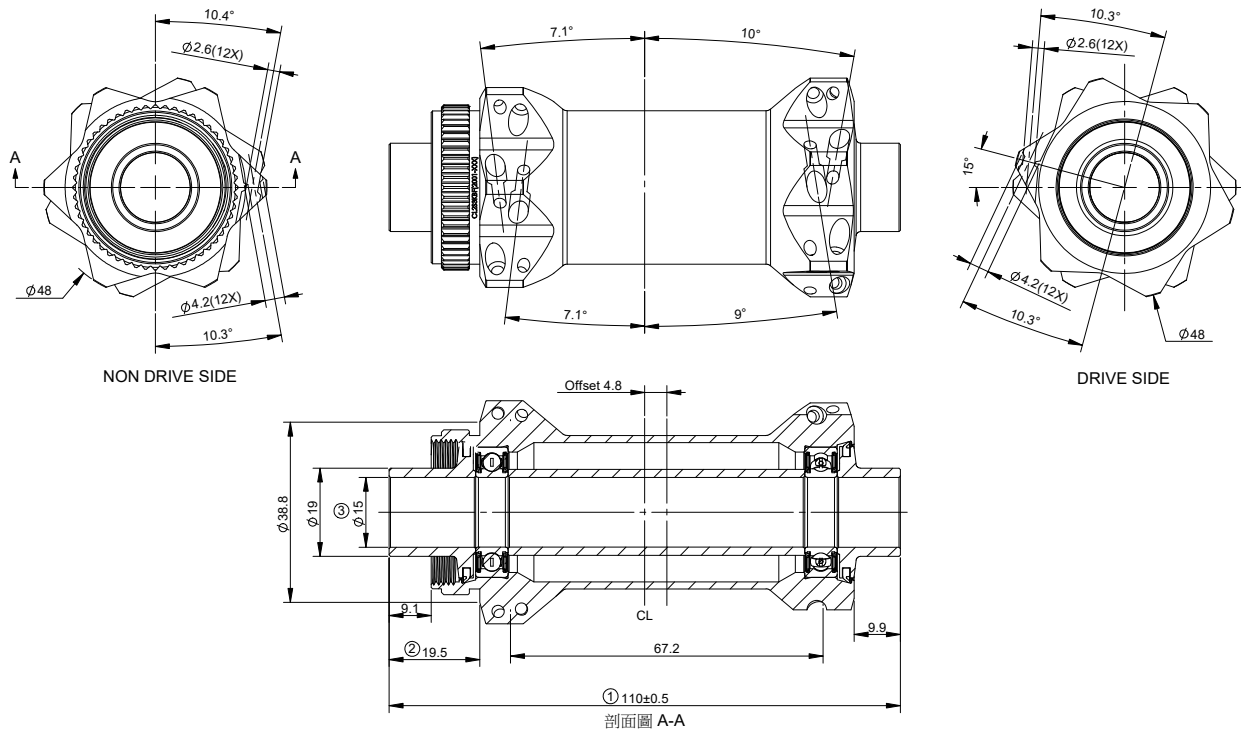
GW TR3 FRNT DB 12100 24H



ITEM #	PART #	DESCRIPTION	QTY
1	N/A	Hub Shell	1
2	22121	END CAP, GW DB FRNT 12MM TA	1
3	N/A	See #2	
4	20156	BEARING, 6902, ENDURO	1
5	22161	AXLE, GW FRONT TA	1

WARNING: The information contained herein is proprietary and confidential to Reynolds Cycling and Reynolds Cycling affiliates. This document is not intended for public distribution or disclosure. This document may be referenced and reproduced for and by Reynolds Cycling and Reynolds Cycling affiliates only.

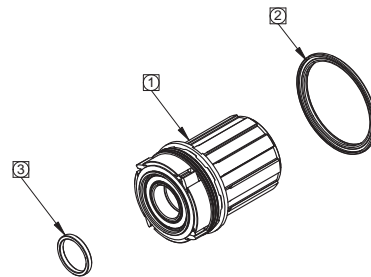
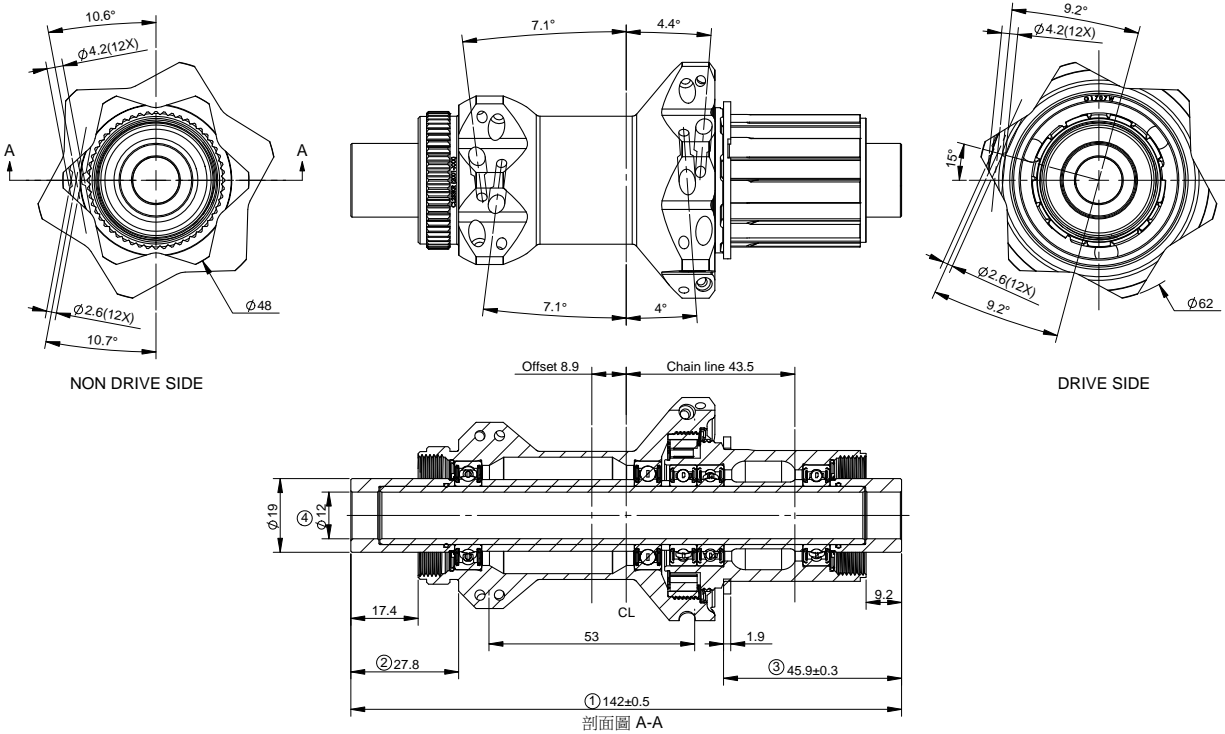
GW MTN TR3 FRNT 15110 24H



ITEM #	PART #	DESCRIPTION	QTY
1	N/A	Hub Shell	1
2	22121	END CAP, GW DB FRNT 12MM TA	1
3	N/A	See #2	
4	20156	BEARING, 6902, ENDURO	1
5	22161	AXLE, GW FRONT TA	1

WARNING: The information contained herein is proprietary and confidential to Reynolds Cycling and Reynolds Cycling affiliates. This document is not intended for public distribution or disclosure. This document may be referenced and reproduced for and by Reynolds Cycling and Reynolds Cycling affiliates only.

GW TR3 SHIM DB 14212 24H

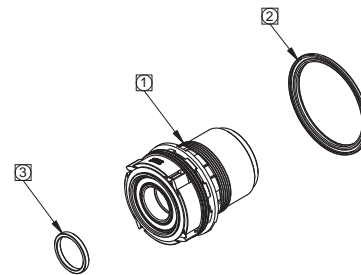
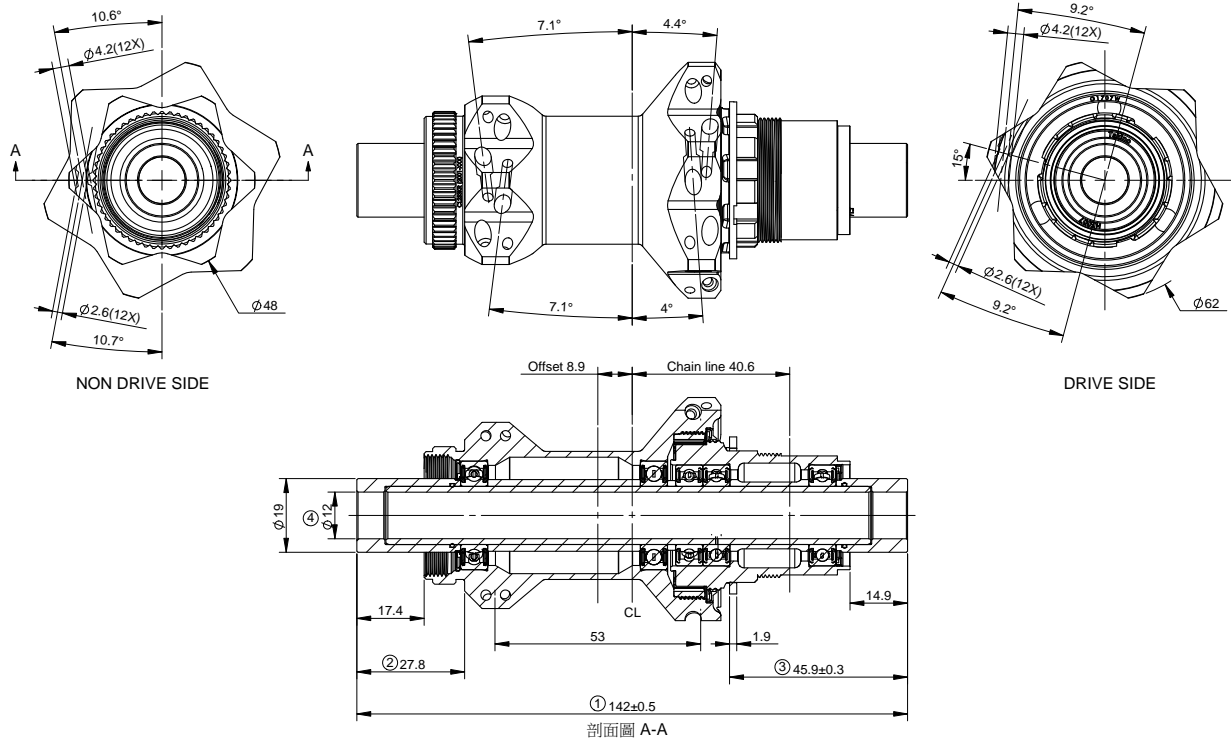


ITEM #	PART #	DESCRIPTION	QTY
1	N/A	Hub Shell	
2	20156	BEARING, 6902, ENDURO	2
3	22162	SPACER, GW REAR AXLE	1
4	N/A	RATCHET RING	
5	N/A	Seal Ring	1
6	22158	AXLE, GW DB REAR 15/12/125 ALLOY 135/142	1
7	22569	FREEHUB, GW TR3 SPL 4 PAWL 3 BEARING	1
8	N/A	Spacer	
9	22130	END CAP, GW RB REAR QR 9/130	1
10	N/A	See 9	

ITEM #	PART #	DESCRIPTION	QTY
1	22569	FREEHUB, GW TR3 SPL 4 PAWL 3 BEARING	1
	22570	FREEHUB, GW TR3 XDR 4 PAWL 3 BEARING	1
	22568	FREEHUB, GW TR3 CAMPY 4 PAWL 3 BEARING	1
	423-39079	FREEHUB, GW CAMPY N3W 11-13SPD 4 PAWL 3 BEARING	1
2	N/A	SEAL RING	

WARNING: The information contained herein is proprietary and confidential to Reynolds Cycling and Reynolds Cycling affiliates. This document is not intended for public distribution or disclosure. This document may be referenced and reproduced for and by Reynolds Cycling and Reynolds Cycling affiliates only.

GW TR3 DB XDR 12142 24H



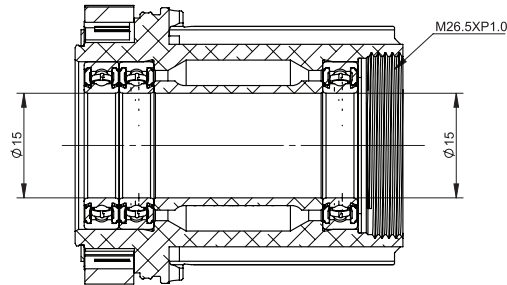
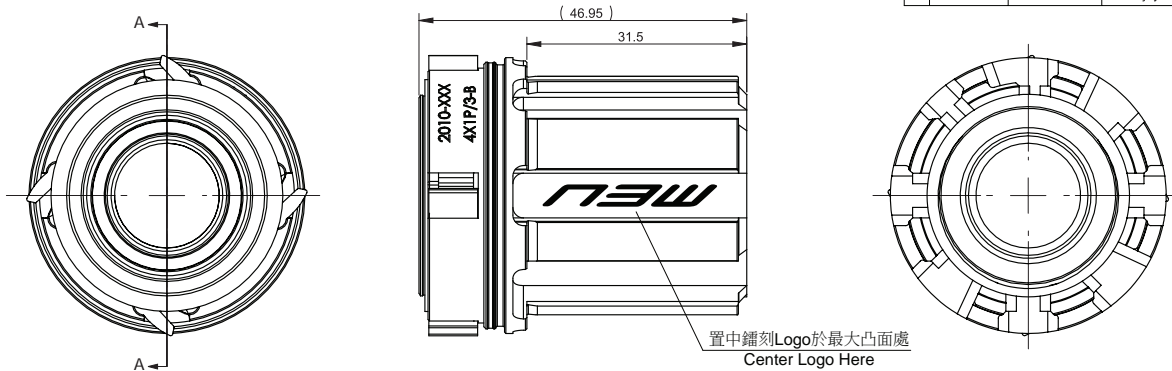
ITEM #	PART #	DESCRIPTION	QTY
1	N/A	Hub Shell	
2	20156	BEARING, 6902, ENDURO	2
3	22162	SPACER, GW REAR AXLE	1
4	N/A	RATCHET RING	
5	N/A	Seal Ring	1
6	22159	AXLE, GW RB REAR 15/20/120 ALLOY 130	1
7	22099	SPACER, GW, RED 17.5*15*2.1 mm	1
8	22570	FREEHUB, GW TR3 XDR 4 PAWL 3 BEARING	1
9	22130	END CAP, GW RB REAR QR 9/130	1
10	N/A	See 9	

ITEM #	PART #	DESCRIPTION	QTY
1	22569	FREEHUB, GW TR3 SPL 4 PAWL 3 BEARING	1
	22570	FREEHUB, GW TR3 XDR 4 PAWL 3 BEARING	1
	22568	FREEHUB, GW TR3 CAMPY 4 PAWL 3 BEARING	1
	423-39079	FREEHUB, GW CAMPY N3W 11-13SPD 4 PAWL 3 BEARING	1
2	N/A	SEAL RING	

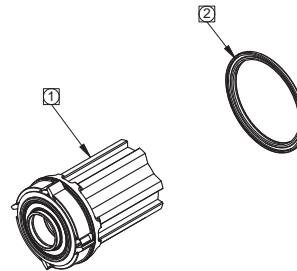
WARNING: The information contained herein is proprietary and confidential to Reynolds Cycling and Reynolds Cycling affiliates. This document is not intended for public distribution or disclosure. This document may be referenced and reproduced for and by Reynolds Cycling and Reynolds Cycling affiliates only.

GW CAMPY N3W 11-13SPD

No.	Original Dim	Modified Dim	Modified By	Modified Date
0	N/A	直轉S5	Minjay	2020/10/30



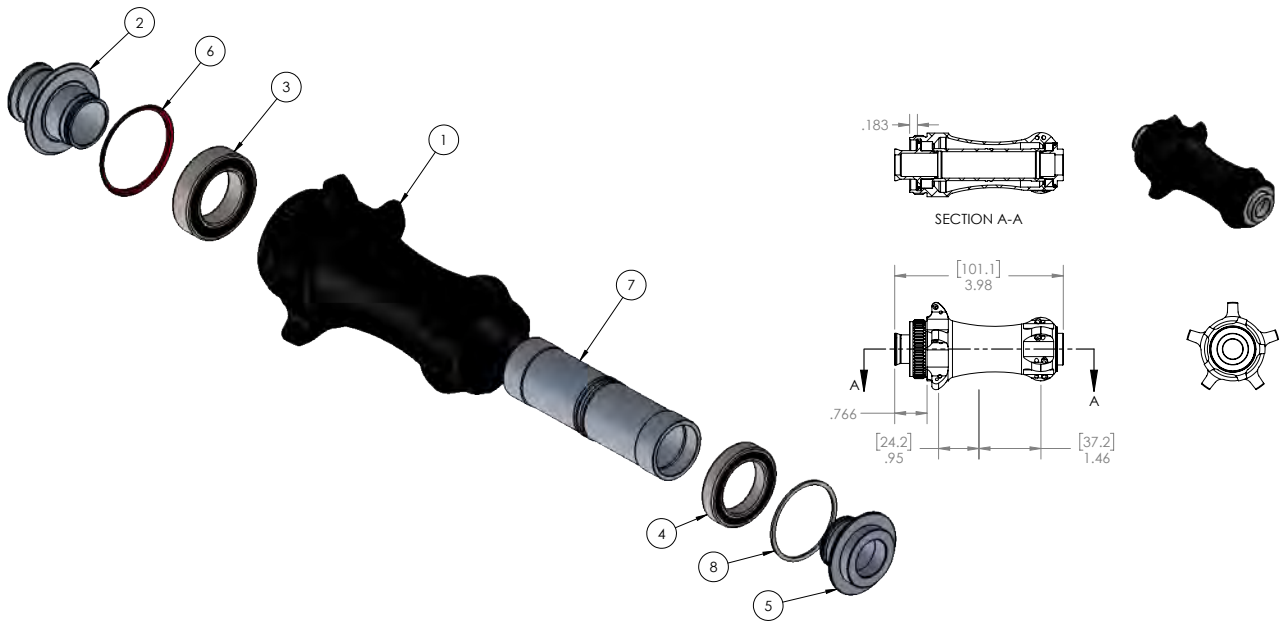
剖面圖 A-A



ITEM #	PART #	DESCRIPTION	QTY
1	22569	FREEHUB, GW TR3 SPL 4 PAWL 3 BEARING	1
	22570	FREEHUB, GW TR3 XDR 4 PAWL 3 BEARING	1
	22568	FREEHUB, GW TR3 CAMPY 4 PAWL 3 BEARING	1
	423-39079	FREEHUB, GW CAMPY N3W 11-13SPD 4 PAWL 3 BEARING	1
2	N/A	SEAL RING	

WARNING: The information contained herein is proprietary and confidential to Reynolds Cycling and Reynolds Cycling affiliates. This document is not intended for public distribution or disclosure. This document may be referenced and reproduced for and by Reynolds Cycling and Reynolds Cycling affiliates only.

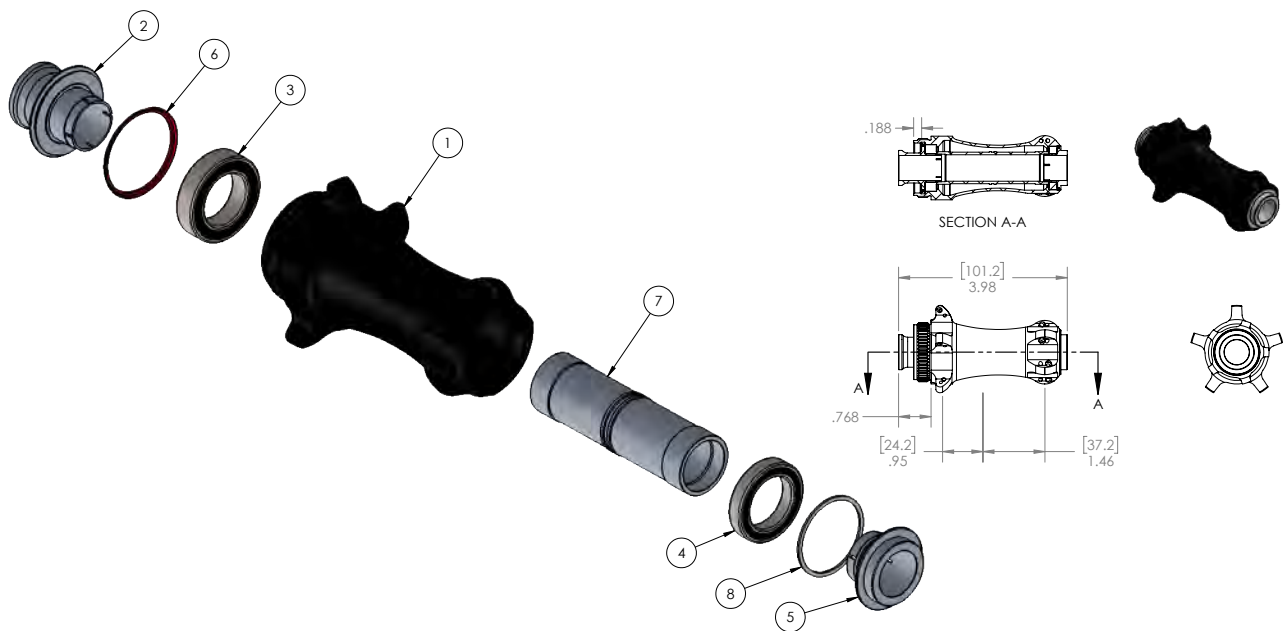
19 DB CL 12MM FRONT 20H



ITEM #	PART #	DESCRIPTION	QTY
1		Hub Shell	1
2	21868	END CAP, I9 DB FRT TA 12x100	1
3	20185	BEARING, MR17287	1
4	20167	BEARING, ENDURO 61803 ABEC 5	1
5	N/A	See Item 2	
6	N/A		
7	21784	AXLE, I9 DB FRONT 12/15/100	1
8	N/A		

WARNING: The information contained herein is proprietary and confidential to Reynolds Cycling and Reynolds Cycling affiliates. This document is not intended for public distribution or disclosure. This document may be referenced and reproduced for and by Reynolds Cycling and Reynolds Cycling affiliates only.

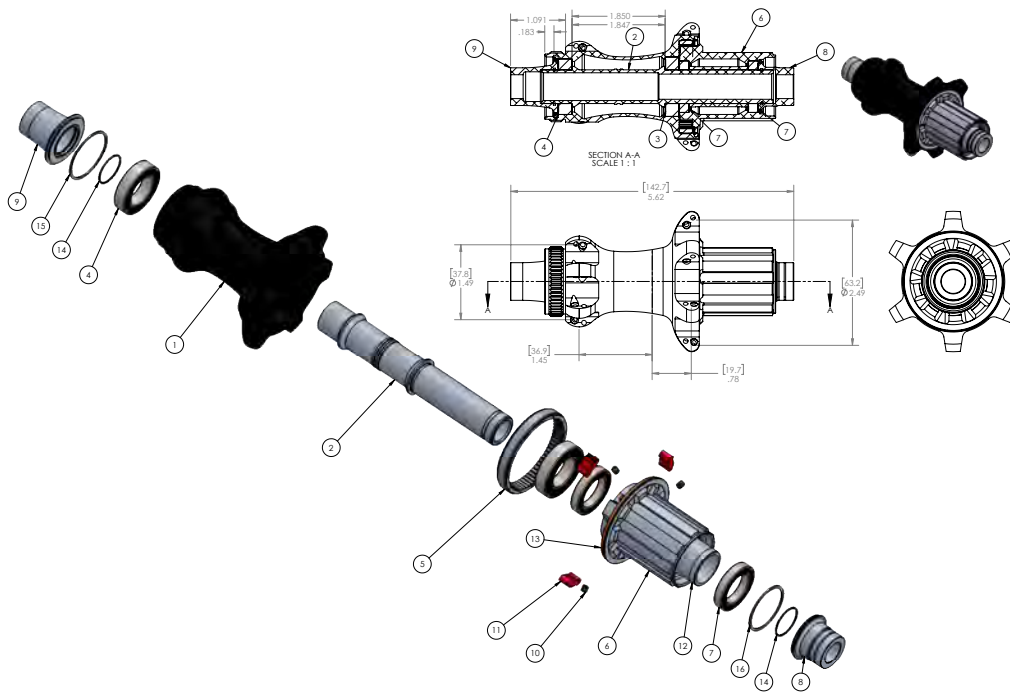
I9 DB CL 15MM FRONT 20H



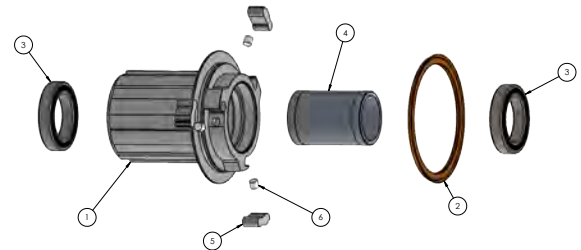
ITEM #	PART #	DESCRIPTION	QTY
1		Hub Shell	1
2	21840	END CAP, I9 FRONT 15mm KIT	1
3	20185	BEARING, MR17287	1
4	20167	BEARING, ENDURO 61803 ABEC 5	1
5	N/A	See Item 2	
6	N/A		
7	21784	AXLE, I9 DB FRONT 12/15/100	1
8	N/A		

WARNING: The information contained herein is proprietary and confidential to Reynolds Cycling and Reynolds Cycling affiliates. This document is not intended for public distribution or disclosure. This document may be referenced and reproduced for and by Reynolds Cycling and Reynolds Cycling affiliates only.

I9 DB CL 14212 SHIM 24H



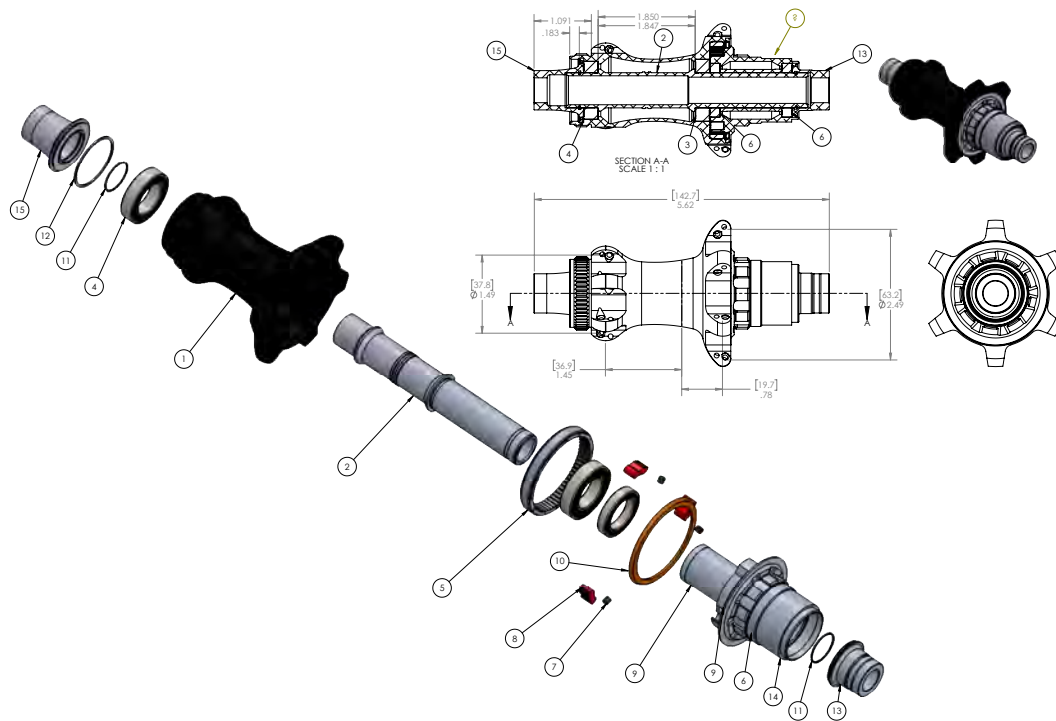
ITEM #	PART #	DESCRIPTION	QTY
1	N/A	Hub Shell	
2	21791	AXLE, i9 DB REAR CL 15/12/135	1
3	20168	BEARING, ENDURO 61903 ABEC 5	1
4	20185	BEARING, MR17287	1
5	21771	RATCHET RING i9	1
6	21856	FREEHUB, i9 RB/DB SHIM 10/11SP	1
7	20167	BEARING, ENDURO 61803 ABEC 5	1
8	21871	END CAP, i9 DB REAR TA 12x142	1
9	N/A	See Item 8	
10	21847	HUB, i9 ROAD 3 PAWL SPRING KIT	1
11	N/A	Pawl	
12	21793	SPACER, i9 REAR AXLE	1
13	N/A	Seal Ring	
14	N/A	o-ring	
15	N/A	teflon seal	
16	N/A	teflon seal	



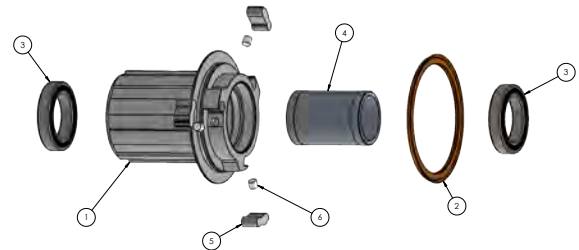
ITEM #	PART #	DESCRIPTION	QTY
1	21856	FREEHUB, i9 RB/DB SHIM 10/11SP	1
	21857	FREEHUB, i9 RB/DB XDR 11/12SPD	1
	21858	FREEHUB, i9 RB/DB CAMPY 11 SPD	1
	423-39272	FREEHUB, i9 CAMPY N3W TORCH 13SPD W/DS E	1
2	N/A	SEAL RING	
3	20167	BEARING, ENDURO 61803 ABEC 5	2
4	21793	SPACER, i9 REAR AXLE	1
5	N/A	PAWL	
6	21847	HUB, i9 ROAD 3 PAWL SPRING KIT	1

WARNING: The information contained herein is proprietary and confidential to Reynolds Cycling and Reynolds Cycling affiliates. This document is not intended for public distribution or disclosure. This document may be referenced and reproduced for and by Reynolds Cycling and Reynolds Cycling affiliates only.

I9 DB CL 14212 XDR 24H



ITEM #	PART #	DESCRIPTION	QTY
1	N/A	Hub Shell	
2	21791	AXLE, i9 DB REAR CL 15/12/135	1
3	20168	BEARING, ENDURO 61903 ABEC 5	1
4	20185	BEARING, MR17287	1
5	21771	RATCHET RING i9	1
6	20167	BEARING, ENDURO 61803 ABEC 5	1
7	21847	HUB, i9 ROAD 3 PAWL SPRING KIT	1
8	N/A	Pawl	
9	21793	SPACER, i9 REAR AXLE	1
10	N/A	Seal Ring	
11	N/A	o-ring	
12	N/A	teflon seal	
13	21871	END CAP, i9 DB REAR TA 12x142	1
14	21857	FREEHUB, i9 RB/DB XDR 11/12SPD	1
15	N/A	See 13	



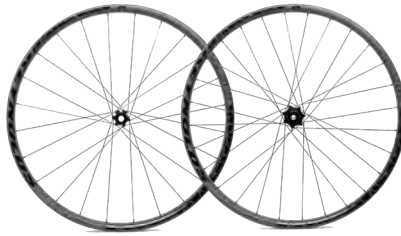
ITEM #	PART #	DESCRIPTION	QTY
1	21856	FREEHUB, i9 RB/DB SHIM 10/11SP	1
	21857	FREEHUB, i9 RB/DB XDR 11/12SPD	1
	21858	FREEHUB, i9 RB/DB CAMPY 11 SPD	1
	423-39272	FREEHUB, i9 CAMPY N3W TORCH 13SPD W/DS E	1
2	N/A	SEAL RING	
3	20167	BEARING, ENDURO 61803 ABEC 5	2
4	21793	SPACER, i9 REAR AXLE	1
5	N/A	PAWL	
6	21847	HUB, i9 ROAD 3 PAWL SPRING KIT	1

WARNING: The information contained herein is proprietary and confidential to Reynolds Cycling and Reynolds Cycling affiliates. This document is not intended for public distribution or disclosure. This document may be referenced and reproduced for and by Reynolds Cycling and Reynolds Cycling affiliates only.

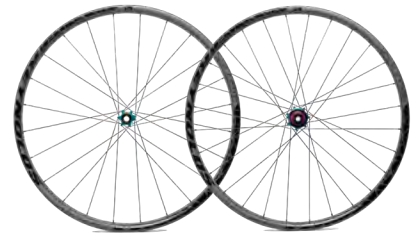
BLACKLABEL MOUNTAIN WHEELS



BLACKLABEL XC 259



BLACKLABEL 309/289 XC



BLACKLABEL 309/289r XC



BLACKLABEL ENDURO 287



BLACKLABEL ENDURO 289



BLACKLABEL 347 WIDE TRAIL



BLACKLABEL 349 WIDE TRAIL



BLACKLABEL 407 PLUS



BLACKLABEL DH 287



BLACKLABEL DH 289



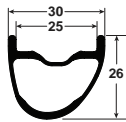
BLACKLABEL DH 287r



BLACKLABEL DH 289r

WARNING: The information contained herein is proprietary and confidential to Reynolds Cycling and Reynolds Cycling affiliates. This document is not intended for public distribution or disclosure. This document may be referenced and reproduced for and by Reynolds Cycling and Reynolds Cycling affiliates only.

BLACKLABEL 259



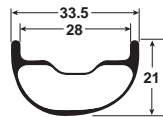
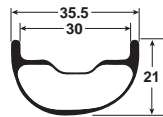
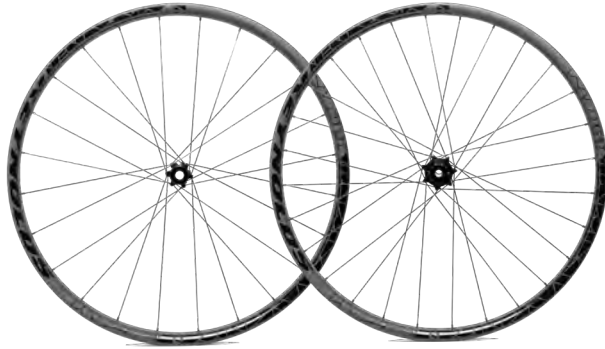
FREEHUB OPTIONS

22530	FREEHUB, I9 HD SPL 10-SP MTN 6-PAWL
22531	FREEHUB, I9HD XD 11SP MTN 6PAWL
22532	FREEHUB, I9 HD MS 12-SPD MTN 6-PAWL
22538	END CAP, I9 HDMTN FRNT 15MM KIT
22539	END CAP, I9 HDMTN FT TRQ 15MM KIT
22540	END CAP, I9 HD RR 142/148/12 KIT
22541	END CAP, I9 HD RR MS 142/148/12 KIT
22537	AXLE, I9HDMTN FRT CL15X110 HUB
22534	AXLE, I9 HDMTN REAR CL 12X148 HUB
22535	AXLE, I9 HDMTN REAR CL 12X157 HUB
20164	BEARING, i9 15307 A5
20165	BEARING, ENDURO 18307 ABEC 5
20168	BEARING, ENDURO 61903 ABEC 5
21852	O-Ring, i9 Rear17mm End Cap CL
21853	O-Ring, i9 Frt 25mm End Cap CL
22548	HUB i9 HYDRA 6 PAWL SPRING KIT

79566	WS, 29 BL259 ASYM BST SPL24/28	
79568	W, 29 BL259 ASYM BST FRNT 24H	1
20311	NIPPLE,EXT BLACK ALLOY SQ HEAD	24
20920	RIM TAPE,TL 28MM 5.5M INSTALED	1
21600	SPOKE, SPM CX-RAY SP 297MM BLK	12
21745	SPOKE, SPM CX-RAY SP 295MM BLK	12
22545	HUB, I9 HDMTN SPCL 24H110X15TA	1
22219	DECAL, HIO 29ER XC 2017	1
57563	D RIM, 29ER XC BL ASYM 24H	1
85513	W ACC KIT, MTN ASYM TL FRONT	1
79569	W, 29 BL259 ASYM 148 SPL 28H	1
20311	NIPPLE,EXT BLACK ALLOY SQ HEAD	28
20920	RIM TAPE,TL 28MM 5.5M INSTALED	1
21602	SPOKE, SPM CX-RAY SP 300MM BLK	28
22524	HUB,i9 HDMTN SP CLSPL28H148X12	1
22219	DECAL, HIO 29ER XC 2017	1
57564	D RIM, 29ER XC BL ASYM 28H	1
85514	W ACC KIT, MTN ASYM TL REAR	1
79567	WS, 29 BL259 ASYM BST XD 24/28	
79568	W, 29 BL259 ASYM BST FRNT 24H	1
79570	W, 29 BL259 ASYM BST XD 28H	1
20311	NIPPLE,EXT BLACK ALLOY SQ HEAD	28
20920	RIM TAPE,TL 28MM 5.5M INSTALED	1
21602	SPOKE, SPM CX-RAY SP 300MM BLK	28
22525	HUB,I9 HDMTN SP CLXD28H148X12	1
22219	DECAL, HIO 29ER XC 2017	1
57564	D RIM, 29ER XC BL ASYM 28H	1
85514	W ACC KIT, MTN ASYM TL REAR	1

WARNING: The information contained herein is proprietary and confidential to Reynolds Cycling and Reynolds Cycling affiliates. This document is not intended for public distribution or disclosure. This document may be referenced and reproduced for and by Reynolds Cycling and Reynolds Cycling affiliates only.

BLACKLABEL 309/289 XC



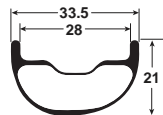
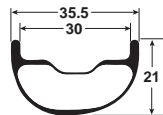
FREEHUB OPTIONS

22530	FREEHUB, I9HD SPL 10SP MTN6PAWL
22531	FREEHUB, I9HD XD 11SP MTN 6PAWL
22532	FREEHUB, I9HD MS 12SPD MTN6PAWL
22538	END CAP, I9 HDMTN FRNT 15MMKIT
22539	END CAP, I9HDMTNFT TRQ 15MMKIT
22540	END CAP, I9HD RR 12X142/148KIT
22541	END CAP, I9HD RR MS 12x142/148
22542	END CAP, I9 HD RR ISO ALL KIT
22534	AXLE, I9 HDMTN REAR CL 12X148 HUB
22537	AXLE, I9HDMTN FRT CL15X110 HUB
20164	BEARING, i9 15307 A5
20165	BEARING, ENDURO 18307 ABEC 5
20166	BEARING, ENDURO 31803 ABEC 5
20167	BEARING, ENDURO 61803 ABEC 5
20168	BEARING, ENDURO 61903 ABEC 5

70562	WS, BL309/289 XC TSS 148 MS 24/28H	
70563	W, BL309 XC TSS FRNT 24H	1
60565	D RIM, H20 309r XC BL 24H	1
21886	RIM TAPE, TL 30MM 5.5M INSTALED	1
22545	HUB, I9 HDMTN SPCL 24H110X15TA	1
21602	SPOKE, SPM CX-RAY SP 300MM BLK	12
21603	SPOKE, SPM CX-RAY SP 301MM BLK	12
20311	NIPPLE, EXT BLACK ALLOY SQ HEAD	24
22355	Decal, H20 BL309 XC	1
20356	VALVE STEM, TL ALLOY 50MM BLK	1
85610	W ACC KIT, BASE KIT	1
3040	9 X 12 X 4MIL ZIP LOCK BAG	1
20333	REYNOLDS NEW PROD WEBSITE CARD	1
70505	W, BL289 XC TSS 157 MS 28H	1
60566	D RIM, H20 289r XC BL 28H	1
21886	RIM TAPE, TL 30MM 5.5M INSTALED	1
22526	HUB, I9 HDMTN SP CLMS28H148X12	1
21747	SPOKE, SPM CX-RAY SP 306MM BLK	28
20311	NIPPLE, EXT BLACK ALLOY SQ HEAD	28
22356	Decal, H20 BL289 XC	1
20356	VALVE STEM, TL ALLOY 50MM BLK	1
85610	W ACC KIT, BASE KIT	1
3040	9 X 12 X 4MIL ZIP LOCK BAG	1
20333	REYNOLDS NEW PROD WEBSITE CARD	1

WARNING: The information contained herein is proprietary and confidential to Reynolds Cycling and Reynolds Cycling affiliates. This document is not intended for public distribution or disclosure. This document may be referenced and reproduced for and by Reynolds Cycling and Reynolds Cycling affiliates only.

BLACKLABEL 309/289 R XC



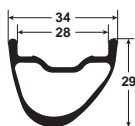
FREEHUB OPTIONS

281-38183-K001	Bubba X FH Body Kit - Shimano HG Alloy
281-38183-K002	Bubba X FH body Kit - SRAM XD Alloy
281-38183-K003	Bubba X FH Body Kit - Shimano MS Alloy
281-37249-K008	Bubba X CL 12mm Rear End Cap Pair HG
281-37249-K009	Bubba X CL 12mm Rear End Cap Pair XD
281-37249-K010	Bubba X CL 12mm Rear End Cap Pair MS
281-37250-K002	Bubba X Ratchet ring kit - Qty 1
281-37251-K001	Bubba/Bubba X Pawl Kit
281-37255-K001	Bubba/Bubba X Locking ring kit
281-37253-K006	Bubba X CL 148 R hub sheel space tube kit
281-37256-K001	Bubba/Bubba X 148x12 Axle Kit - Alloy
281-37256-K002	Bubba/Bubba X 148x12 Axle Kit - Stee
281-37254-K001	Bubba/Bubba X 6902 Bearing Kit -qty 2
281-37254-K002	Bubba/Bubba X MS FH Bearing Kit (For Microspline FHB only)

70626	WS, BL309/289r XC LTD TSS 148 MS 24/28H	
70628	W, BL309 XC TSS FRNT 24H	1
60565	D RIM, H20 309r XC BL 24H	1
21886	RIM TAPE, TL 30MM 5.5M INSTALED	1
16-38203-C301	Super Bubba Front 24h CL 110x15 Turq	1
21602	SPOKE, SPM CX-RAY SP 300MM BLK	12
21603	SPOKE, SPM CX-RAY SP 301MM BLK	12
20311	NIPPLE, EXT BLACK ALLOY SQ HEAD	24
22357	Decal, H2O BL309r XC	1
20360	VALVE STEM, TL ALLOY 50MM TRQ	1
85610	W ACC KIT, BASE KIT	1
3040	9 X 12 X 4MIL ZIP LOCK BAG	1
20333	REYNOLDS NEW PROD WEBSITE CARD	1
70629	W, BL289 XC TSS 148 MS 28H	1
60566	D RIM, H20 289r XC BL 28H	1
21886	RIM TAPE, TL 30MM 5.5M INSTALED	1
16-38217-C303	Super Bubba X Rear 28h CL148x12 MS Turq	1
21747	SPOKE, SPM CX-RAY SP 306MM BLK	14
21747	SPOKE, SPM CX-RAY SP 306MM BLK	14
20311	NIPPLE, EXT BLACK ALLOY SQ HEAD	28
22358	Decal, H2O BL289r XC	1
281-38183-K002	Bubba X FH body Kit - SRAM XD Alloy	1
20360	VALVE STEM, TL ALLOY 50MM TRQ	1
85610	W ACC KIT, BASE KIT	1
3040	9 X 12 X 4MIL ZIP LOCK BAG	1
20333	REYNOLDS NEW PROD WEBSITE CARD	1

WARNING: The information contained herein is proprietary and confidential to Reynolds Cycling and Reynolds Cycling affiliates. This document is not intended for public distribution or disclosure. This document may be referenced and reproduced for and by Reynolds Cycling and Reynolds Cycling affiliates only.

BLACKLABEL 287



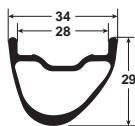
FREEHUB OPTIONS

22530	FREEHUB, I9 HD SPL 10-SP MTN 6-PAWL
22531	FREEHUB, I9HD XD 11SP MTN 6PAWL
22532	FREEHUB, I9 HD MS 12-SPD MTN 6-PAWL
22538	END CAP, I9 HDMTN FRNT 15MM KIT
22539	END CAP, I9 HDMTN FT TRQ 15MM KIT
22540	END CAP, I9 HD RR 142/148/12 KIT
22541	END CAP, I9 HD RR MS 142/148/12 KIT
22537	AXLE, I9HDMTN FRT CL15X110 HUB
22534	AXLE, I9 HDMTN REAR CL 12X148 HUB
22535	AXLE, I9 HDMTN REAR CL 12X157 HUB
20164	BEARING, i9 15307 A5
20165	BEARING, ENDURO 18307 ABEC 5
20168	BEARING, ENDURO 61903 ABEC 5
21852	O-Ring, i9 Rear17mm End Cap CL
21853	O-Ring, i9 Frt 25mm End Cap CL
22548	HUB i9 HYDRA 6 PAWL SPRING KIT

79516	WS, 27.5 BL287 ASYM BST SPL28/	
79518	W, 27.5 BL287 ASYM BST FRNT28H	1
20311	NIPPLE,EXT BLACK ALLOY SQ HEAD	28
21593	SPOKE, SPM CX-RAY SP 280MM BLK	14
21595	SPOKE, SPM CX-RAY SP 282MM BLK	14
21886	RIM TAPE,TL 30MM 5.5M INSTALED	1
22544	HUB, I9 HDMTN SPCL 28H110X15TA	1
22212	DECAL, H1O 27.5 ENDURO 2017	1
56513	D RIM, 27.5 ENDURO BL ASYM 28H	1
85513	W ACC KIT, MTN ASYM TL FRONT	1
79519	W, 27.5 BL287 ASYM BST SPL 28H	1
20311	NIPPLE,EXT BLACK ALLOY SQ HEAD	28
21594	SPOKE, SPM CX-RAY SP 281MM BLK	14
21595	SPOKE, SPM CX-RAY SP 282MM BLK	14
21886	RIM TAPE,TL 30MM 5.5M INSTALED	1
22524	HUB,i9 HDMTN SP CLSPL28H148X12	1
22212	DECAL, H1O 27.5 ENDURO 2017	1
56513	D RIM, 27.5 ENDURO BL ASYM 28H	1
85514	W ACC KIT, MTN ASYM TL REAR	1
79517	WS, 27.5 BL287 ASYM BST XD 28/28H	
79518	W, 27.5 BL287 ASYM BST FRNT28H	1
79520	W, 27.5 BL287 ASYM BST XD 28H	1
20311	NIPPLE,EXT BLACK ALLOY SQ HEAD	28
21594	SPOKE, SPM CX-RAY SP 281MM BLK	14
21595	SPOKE, SPM CX-RAY SP 282MM BLK	14
21886	RIM TAPE,TL 30MM 5.5M INSTALED	1
22525	HUB,I9 HDMTN SP CLXD28H148X12	1
66513	D RIM, H1O 27.5 END ASYM 28H	1
22212	DECAL, H1O 27.5 ENDURO 2017	1
85514	W ACC KIT, MTN ASYM TL REAR	1

WARNING: The information contained herein is proprietary and confidential to Reynolds Cycling and Reynolds Cycling affiliates. This document is not intended for public distribution or disclosure. This document may be referenced and reproduced for and by Reynolds Cycling and Reynolds Cycling affiliates only.

BLACKLABEL 289



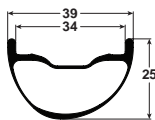
FREEHUB OPTIONS

22530	FREEHUB, I9 HD SPL 10-SP MTN 6-PAWL
22531	FREEHUB, I9HD XD 11SP MTN 6PAWL
22532	FREEHUB, I9 HD MS 12-SPD MTN 6-PAWL
22538	END CAP, I9 HDMTN FRNT 15MM KIT
22539	END CAP, I9 HDMTN FT TRQ 15MM KIT
22540	END CAP, I9 HD RR 142/148/12 KIT
22541	END CAP, I9 HD RR MS 142/148/12 KIT
22537	AXLE, I9HDMTN FRT CL15X110 HUB
22534	AXLE, I9 HDMTN REAR CL 12X148 HUB
22535	AXLE, I9 HDMTN REAR CL 12X157 HUB
20164	BEARING, i9 15307 A5
20165	BEARING, ENDURO 18307 ABEC 5
20168	BEARING, ENDURO 61903 ABEC 5
21852	O-Ring, i9 Rear17mm End Cap CL
21853	O-Ring, i9 Frt 25mm End Cap CL
22548	HUB i9 HYDRA 6 PAWL SPRING KIT

79596	WS, 29 BL289 ASYM BST SPL 2828	
79598	W, 29 BL289 ASYM BST FRNT 28H	1
20311	NIPPLE,EXT BLACK ALLOY SQ HEAD	28
21602	SPOKE, SPM CX-RAY SP 300MM BLK	14
21604	SPOKE, SPM CX-RAY SP 302MM BLK	14
21886	RIM TAPE,TL 30MM 5.5M INSTALED	1
22544	HUB, I9 HDMTN SPCL 28H110X15TA	1
22215	DECAL, HiO 29ER ENDURO 2017	1
56593	D RIM, 29ER ENDURO BL ASYM 28H	1
85513	W ACC KIT, MTN ASYM TL FRONT	1
79599	W, 29 BL289 ASYM BST SPL 28H	1
20311	NIPPLE,EXT BLACK ALLOY SQ HEAD	28
21601	SPOKE, SPM CX-RAY SP 299MM BLK	14
21603	SPOKE, SPM CX-RAY SP 301MM BLK	14
21886	RIM TAPE,TL 30MM 5.5M INSTALED	1
22524	HUB,i9 HDMTN SP CLSPL28H148X12	1
22215	DECAL, HiO 29ER ENDURO 2017	1
56593	D RIM, 29ER ENDURO BL ASYM 28H	1
85514	W ACC KIT, MTN ASYM TL REAR	1
79597	WS, 29 BL289 ASYM BST XD 28/28H	
79598	W, 29 BL289 ASYM BST FRNT 28H	1
79600	W, 29 BL289 ASYM BST XD 28H	1
20311	NIPPLE,EXT BLACK ALLOY SQ HEAD	28
21601	SPOKE, SPM CX-RAY SP 299MM BLK	14
21603	SPOKE, SPM CX-RAY SP 301MM BLK	14
21886	RIM TAPE,TL 30MM 5.5M INSTALED	1
22525	HUB,I9 HDMTN SP CLXD28H148X12	1
22215	DECAL, HiO 29ER ENDURO 2017	1
56593	D RIM, 29ER ENDURO BL ASYM 28H	1
85514	W ACC KIT, MTN ASYM TL REAR	1

WARNING: The information contained herein is proprietary and confidential to Reynolds Cycling and Reynolds Cycling affiliates. This document is not intended for public distribution or disclosure. This document may be referenced and reproduced for and by Reynolds Cycling and Reynolds Cycling affiliates only.

BLACKLABEL 347



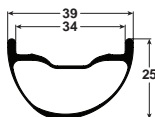
FREEHUB OPTIONS

22530	FREEHUB, I9 HD SPL 10-SP MTN 6-PAWL
22531	FREEHUB, I9HD XD 11SP MTN 6PAWL
22532	FREEHUB, I9 HD MS 12-SPD MTN 6-PAWL
22538	END CAP, I9 HDMTN FRNT 15MM KIT
22539	END CAP, I9 HDMTN FT TRQ 15MM KIT
22540	END CAP, I9 HD RR 142/148/12 KIT
22541	END CAP, I9 HD RR MS 142/148/12 KIT
22537	AXLE, I9HDMTN FRT CL15X110 HUB
22534	AXLE, I9 HDMTN REAR CL 12X148 HUB
22535	AXLE, I9 HDMTN REAR CL 12X157 HUB
20164	BEARING, i9 15307 A5
20165	BEARING, ENDURO 18307 ABEC 5
20168	BEARING, ENDURO 61903 ABEC 5
21852	O-Ring, i9 Rear17mm End Cap CL
21853	O-Ring, i9 Frt 25mm End Cap CL
22548	HUB i9 HYDRA 6 PAWL SPRING KIT

78531	WS, 27.5 BL 347 BST SHIM 28/28	
78533	W, 27.5 BL 347 15/110 FRNT 28H	1
68533	D RIM, HIO 27.5 BL 347 TL 28H	1
20918	RIM TAPE, TL 22MM 5.5M INSTALED	1
21827	HUB, MTN i9 SP CL 28H 110x15TA	1
21594	SPOKE, SPM CX-RAY SP 281MM BLK	14
21596	SPOKE, SPM CX-RAY SP 283MM BLK	14
20311	NIPPLE, EXT BLACK ALLOY SQ HEAD	28
20007	DECAL, NOT INTENDED FOR RB USE	1
20008	DECAL, REGISTER WHEELS	1
20332	WHEEL RAP HANG TAG	1
20120	BOX, TW DBLE WHL RNLD WIDE29er	0.5
78534	W, 27.5 BL 347 12/148 SHIM 28H	1
68533	D RIM, HIO 27.5 BL 347 TL 28H	1
20918	RIM TAPE, TL 22MM 5.5M INSTALED	1
21829	HUB, MTN i9 SP CLSHIM28H148x12	1
21596	SPOKE, SPM CX-RAY SP 283MM BLK	28
20311	NIPPLE, EXT BLACK ALLOY SQ HEAD	28
20007	DECAL, NOT INTENDED FOR RB USE	1
20008	DECAL, REGISTER WHEELS	1
20332	WHEEL RAP HANG TAG	1
20120	BOX, TW DBLE WHL RNLD WIDE29er	0.5
85513	W ACC KIT, MTN ASYM TL FRONT	1
3040	9 X 12 X 4MIL ZIP LOCK BAG	1
20333	REYNOLDS NEW PROD WEBSITE CARD	1
20904	VALVE STEM, AM 45MM LONG	1
85514	W ACC KIT, MTN ASYM TL REAR	1
3040	9 X 12 X 4MIL ZIP LOCK BAG	1
20333	REYNOLDS NEW PROD WEBSITE CARD	1
20904	VALVE STEM, AM 45MM LONG	1

WARNING: The information contained herein is proprietary and confidential to Reynolds Cycling and Reynolds Cycling affiliates. This document is not intended for public distribution or disclosure. This document may be referenced and reproduced for and by Reynolds Cycling and Reynolds Cycling affiliates only.

BLACKLABEL 349



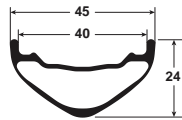
FREEHUB OPTIONS

22530	FREEHUB, I9 HD SPL 10-SP MTN 6-PAWL
22531	FREEHUB, I9HD XD 11SP MTN 6PAWL
22532	FREEHUB, I9 HD MS 12-SPD MTN 6-PAWL
22538	END CAP, I9 HDMTN FRNT 15MM KIT
22539	END CAP, I9 HDMTN FT TRQ 15MM KIT
22540	END CAP, I9 HD RR 142/148/12 KIT
22541	END CAP, I9 HD RR MS 142/148/12 KIT
22537	AXLE, I9HDMTN FRT CL15X110 HUB
22534	AXLE, I9 HDMTN REAR CL 12X148 HUB
22535	AXLE, I9 HDMTN REAR CL 12X157 HUB
20164	BEARING, i9 15307 A5
20165	BEARING, ENDURO 18307 ABEC 5
20168	BEARING, ENDURO 61903 ABEC 5
21852	O-Ring, i9 Rear17mm End Cap CL
21853	O-Ring, i9 Frt 25mm End Cap CL
22548	HUB i9 HYDRA 6 PAWL SPRING KIT

78601	WS, 29 BL 349 BST SHIM 28/28	
78603	W, 29 BL 349 15/110 FRNT 28H	1
68603	D RIM, HIO 29 BL 349 TL 28H	1
20918	RIM TAPE, TL 22MM 5.5M INSTALED	1
21827	HUB, MTN i9 SP CL 28H 110x15TA	1
21603	SPOKE, SPM CX-RAY SP 301MM BLK	14
21748	SPOKE, SPM CX-RAY SP 303MM BLK	14
20311	NIPPLE, EXT BLACK ALLOY SQ HEAD	28
20007	DECAL, NOT INTENDED FOR RB USE	1
20008	DECAL, REGISTER WHEELS	1
20332	WHEEL RAP HANG TAG	1
20120	BOX, TW DBLE WHL RNLD WIDE29er	0.5
78604	W, 29 BL 349 12/148 SHIM 28H	1
68603	D RIM, HIO 29 BL 349 TL 28H	1
20918	RIM TAPE, TL 22MM 5.5M INSTALED	1
21829	HUB, MTN i9 SP CLSHIM28H148x12	1
21604	SPOKE, SPM CX-RAY SP 302MM BLK	28
20311	NIPPLE, EXT BLACK ALLOY SQ HEAD	28
20007	DECAL, NOT INTENDED FOR RB USE	1
20008	DECAL, REGISTER WHEELS	1
20332	WHEEL RAP HANG TAG	1
20120	BOX, TW DBLE WHL RNLD WIDE29er	0.5
85513	W ACC KIT, MTN ASYM TL FRONT	1
3040	9 X 12 X 4MIL ZIP LOCK BAG	1
20333	REYNOLDS NEW PROD WEBSITE CARD	1
85514	W ACC KIT, MTN ASYM TL REAR	1
3040	9 X 12 X 4MIL ZIP LOCK BAG	1
20333	REYNOLDS NEW PROD WEBSITE CARD	1
20904	VALVE STEM, AM 45MM LONG	1

WARNING: The information contained herein is proprietary and confidential to Reynolds Cycling and Reynolds Cycling affiliates. This document is not intended for public distribution or disclosure. This document may be referenced and reproduced for and by Reynolds Cycling and Reynolds Cycling affiliates only.

BLACKLABEL 407



FREEHUB OPTIONS

22530	FREEHUB, I9 HD SPL 10-SP MTN 6-PAWL
22531	FREEHUB, I9HD XD 11SP MTN 6PAWL
22532	FREEHUB, I9 HD MS 12-SPD MTN 6-PAWL
22538	END CAP, I9 HDMTN FRNT 15MM KIT
22539	END CAP, I9 HDMTN FT TRQ 15MM KIT
22540	END CAP, I9 HD RR 142/148/12 KIT
22541	END CAP, I9 HD RR MS 142/148/12 KIT
22537	AXLE, I9HDMTN FRT CL15X110 HUB
22534	AXLE, I9 HDMTN REAR CL 12X148 HUB
22535	AXLE, I9 HDMTN REAR CL 12X157 HUB
20164	BEARING, i9 15307 A5
20165	BEARING, ENDURO 18307 ABEC 5
20168	BEARING, ENDURO 61903 ABEC 5
21852	O-Ring, i9 Rear17mm End Cap CL
21853	O-Ring, i9 Frt 25mm End Cap CL
22548	HUB i9 HYDRA 6 PAWL SPRING KIT

79521	WS, 27.5 BL407 BST SPL 28/28H	
79523	W, 27.5 BL407 BST FRNT 28H	1
20311	NIPPLE,EXT BLACK ALLOY SQ HEAD	28
20920	RIM TAPE,TL 28MM 5.5M INSTALED	1
21596	SPOKE, SPM CX-RAY SP 283MM BLK	14
21605	SPOKE, SPM CX-RAY SP 285MM BLK	14
22544	HUB, I9 HDMTN SPCL 28H110X15TA	1
22213	DECAL, HIO 27.5 PLUS 2017	1
56523	D RIM, 27.5 PLUS BL 28H	1
85513	W ACC KIT, MTN ASYM TL FRONT	1
79524	W, 27.5 BL407 BST SPL 28H	1
20311	NIPPLE,EXT BLACK ALLOY SQ HEAD	28
20920	RIM TAPE,TL 28MM 5.5M INSTALED	1
21531	SPOKE, SPM CX-RAY SP 284MM BLK	28
22524	HUB,i9 HDMTN SP CLSPL28H148X12	1
22213	DECAL, HIO 27.5 PLUS 2017	1
56523	D RIM, 27.5 PLUS BL 28H	1
85514	W ACC KIT, MTN ASYM TL REAR	1
79522	WS, 27.5 BL407 BST XD 28/28H	
79523	W, 27.5 BL407 BST FRNT 28H	1
79525	W, 27.5 BL407 BST XD 28H	1
20311	NIPPLE,EXT BLACK ALLOY SQ HEAD	28
20920	RIM TAPE,TL 28MM 5.5M INSTALED	1
21531	SPOKE, SPM CX-RAY SP 284MM BLK	28
22525	HUB,I9 HDMTN SP CLXD28H148X12	1
22213	DECAL, HIO 27.5 PLUS 2017	1
56523	D RIM, 27.5 PLUS BL 28H	1
85514	W ACC KIT, MTN ASYM TL REAR	1

WARNING: The information contained herein is proprietary and confidential to Reynolds Cycling and Reynolds Cycling affiliates. This document is not intended for public distribution or disclosure. This document may be referenced and reproduced for and by Reynolds Cycling and Reynolds Cycling affiliates only.

BLACKLABEL DH 287



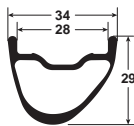
FREEHUB OPTIONS

22530	FREEHUB, I9 HD SPL 10-SP MTN 6-PAWL
22531	FREEHUB, I9HD XD 11SP MTN 6PAWL
22532	FREEHUB, I9 HD MS 12-SPD MTN 6-PAWL
22542	END CAP, I9 HD RR ISO ALL KIT
22536	AXLE, I9HDMTN REAR ISO DH150MM
20164	BEARING, I9 15307 A5
20165	BEARING, ENDURO 18307 ABEC 5
20168	BEARING, ENDURO 61903 ABEC 5
21853	O-Ring, I9 Frt 25mm End Cap CL
22548	HUB I9 HYDRA 6 PAWL SPRING KIT

77551	WS, 27.5 DH LTD ASYM 32/32H	
77553	W, 27.5 DH LTD ASYM FRNT 32H	1.00
57554	D RIM, 27.5 DOWNHILL ASYM 32H	1.00
20315	NIPPLE, BRASS 14MM BLACK EXT	32.00
21753	SPOKE, SPM SPRINT JB 263MM BLK	16.00
21757	SPOKE, SPM SPRINT JB 267MM BLK	16.00
21885	RIM TAPE, TUBELESS 30MM 5.5M	1.00
21924	HUB, I9 DH JB IS6 FRNT 32H BLU	1.00
22048	DECAL, B KERR DH LTD BLUE	1.00
22050	DECAL, PIVOT DH TEAM GREEN x2	1.00
85181	W ACC KIT, REY DH/FATBIKE TL	1.00
77554	W, 27.5 DH LTD ASYM SHIM 32H	1.00
57554	D RIM, 27.5 DOWNHILL ASYM 32H	1.00
20315	NIPPLE, BRASS 14MM BLACK EXT	32.00
21755	SPOKE, SPM SPRINT JB 265MM BLK	16.00
21756	SPOKE, SPM SPRINT JB 266MM BLK	16.00
21885	RIM TAPE, TUBELESS 30MM 5.5M	1.00
21925	HUB, I9 DH JB IS6 SHIM 32H BLU	1.00
22048	DECAL, B KERR DH LTD BLUE	1.00
22050	DECAL, PIVOT DH TEAM GREEN x2	1.00
85181	W ACC KIT, REY DH/FATBIKE TL	1.00
77552	WS, 27.5 DH LTD ASYM XD 32/32H	
77553	W, 27.5 DH LTD ASYM FRNT 32H	1.00
77555	W, 27.5 DH LTD ASYM XD 32H	1.00
57554	D RIM, 27.5 DOWNHILL ASYM 32H	1.00
20315	NIPPLE, BRASS 14MM BLACK EXT	32.00
21755	SPOKE, SPM SPRINT JB 265MM BLK	16.00
21756	SPOKE, SPM SPRINT JB 266MM BLK	16.00
21885	RIM TAPE, TUBELESS 30MM 5.5M	1.00
21926	HUB, I9 DH JB IS6 XD 32H BLU	1.00
22048	DECAL, B KERR DH LTD BLUE	1.00
22050	DECAL, PIVOT DH TEAM GREEN x2	1.00
85181	W ACC KIT, REY DH/FATBIKE TL	1.00

WARNING: The information contained herein is proprietary and confidential to Reynolds Cycling and Reynolds Cycling affiliates. This document is not intended for public distribution or disclosure. This document may be referenced and reproduced for and by Reynolds Cycling and Reynolds Cycling affiliates only.

BLACKLABEL DH 289



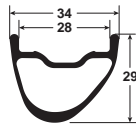
FREEHUB OPTIONS

22530	FREEHUB, I9 HD SPL 10-SP MTN 6-PAWL
22531	FREEHUB, I9HD XD 11SP MTN 6PAWL
22532	FREEHUB, I9 HD MS 12-SPD MTN 6-PAWL
22542	END CAP, I9 HD RR ISO ALL KIT
22536	AXLE, I9HDMTN REAR ISO DH150MM
20164	BEARING, I9 15307 A5
20165	BEARING, ENDURO 18307 ABEC 5
20168	BEARING, ENDURO 61903 ABEC 5
21853	O-Ring, I9 Frt 25mm End Cap CL
22548	HUB I9 HYDRA 6 PAWL SPRING KIT

77601	WS, 29ER DOWNHILL ASYM 32/32H	
77603	W, 29ER DOWNHILL ASYM FRNT 32H	1.00
57604	D RIM, 29ER DOWNHILL ASYM 32H	1.00
20315	NIPPLE, BRASS 14MM BLACK EXT	32.00
21701	SPOKE, SPM SPRINT JB 282MM BLK	16.00
21705	SPOKE, SPM SPRINT JB 286MM BLK	16.00
21885	RIM TAPE, TUBELESS 30MM 5.5M	1.00
21948	HUB, I9 DH JB IS6 20MM BST 32H	1.00
22048	DECAL, B KERR DH LTD BLUE	1.00
22050	DECAL, PIVOT DH TEAM GREEN x2	1.00
85181	W ACC KIT, REY DH/FATBIKE TL	1.00
77604	W, 29ER DOWNHILL ASYM SHIM 32H	
57604	D RIM, 29ER DOWNHILL ASYM 32H	1.00
20315	NIPPLE, BRASS 14MM BLACK EXT	32.00
21702	SPOKE, SPM SPRINT JB 283MM BLK	16.00
21703	SPOKE, SPM SPRINT JB 284MM BLK	16.00
21836	HUB, I9 DH JB IS6SHIM32H157X12	1.00
21885	RIM TAPE, TUBELESS 30MM 5.5M	1.00
22048	DECAL, B KERR DH LTD BLUE	1.00
22050	DECAL, PIVOT DH TEAM GREEN x2	1.00
85181	W ACC KIT, REY DH/FATBIKE TL	1.00
77602	WS, 29ER DOWNHILL ASYM XD 3232	
77603	W, 29ER DOWNHILL ASYM FRNT 32H	1.00
77605	W, 29ER DOWNHILL ASYM XD 32H	1.00
57604	D RIM, 29ER DOWNHILL ASYM 32H	1.00
20315	NIPPLE, BRASS 14MM BLACK EXT	32.00
21702	SPOKE, SPM SPRINT JB 283MM BLK	16.00
21703	SPOKE, SPM SPRINT JB 284MM BLK	16.00
21885	RIM TAPE, TUBELESS 30MM 5.5M	1.00
21926	HUB, I9 DH JB IS6 XD 32H BLU	1.00
22048	DECAL, B KERR DH LTD BLUE	1.00
22050	DECAL, PIVOT DH TEAM GREEN x2	1.00
85181	W ACC KIT, REY DH/FATBIKE TL	1.00

WARNING: The information contained herein is proprietary and confidential to Reynolds Cycling and Reynolds Cycling affiliates. This document is not intended for public distribution or disclosure. This document may be referenced and reproduced for and by Reynolds Cycling and Reynolds Cycling affiliates only.

BLACKLABEL DH 287 EXPERT



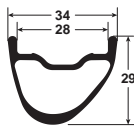
70651	WS, BL287r DH LTD SPL 32/32H 157	
70653	W, BL287r DH LTD FRNT 32H 110	1
57554	D RIM, 27.5 DOWNHILL ASYM 32H	1
21886	RIM TAPE, TL 30MM 5.5M INSTALED	1
16-37507-C001	Bubba DH Front 32h 110x20 Boost Blk	1
21753	SPOKE, SPM SPRINT 263MM JB BLK	16
21756	SPOKE, SPM SPRINT 266MM JB BLK	16
20315	NIPPLE, BRASS 14MM BLACK EXT	32
22248	DECAL, VINYL BL287r DH LTD	1
85181	W ACC KIT, REY DH/FATBIKE TL	1
3040	9 X 12 X 4MIL ZIP LOCK BAG	1
20333	REYNOLDS NEW PROD WEBSITE CARD	1
20904	VALVE STEM, AM 45MM LONG	1
70654	W, BL287r DH LTD SPL 32H 157	1
57554	D RIM, 27.5 DOWNHILL ASYM 32H	1
21886	RIM TAPE, TL 30MM 5.5M INSTALED	1
16-37338-C001	Bubba Rear 32h 157x12 HG Blk	1
21755	SPOKE, SPM SPRINT 265MM JB BLK	16
21756	SPOKE, SPM SPRINT 266MM JB BLK	16
20315	NIPPLE, BRASS 14MM BLACK EXT	32
22248	DECAL, VINYL BL287r DH LTD	1
281-37248-K002	Bubba FH body Kit - SRAM XD Alloy	1
85181	W ACC KIT, REY DH/FATBIKE TL	1
3040	9 X 12 X 4MIL ZIP LOCK BAG	1
20333	REYNOLDS NEW PROD WEBSITE CARD	1
20904	VALVE STEM, AM 45MM LONG	1

FREEHUB OPTIONS

22530	FREEHUB, I9 HD SPL 10-SP MTN 6-PAWL
22531	FREEHUB, I9HD XD 11SP MTN 6PAWL
22532	FREEHUB, I9 HD MS 12-SPD MTN 6-PAWL
22542	END CAP, I9 HD RR ISO ALL KIT
22536	AXLE, I9HDMTN REAR ISO DH150MM
20164	BEARING, i9 15307 A5
20165	BEARING, ENDURO 18307 ABEC 5
20168	BEARING, ENDURO 61903 ABEC 5
21853	O-Ring, i9 Frt 25mm End Cap CL
22548	HUB i9 HYDRA 6 PAWL SPRING KIT

WARNING: The information contained herein is proprietary and confidential to Reynolds Cycling and Reynolds Cycling affiliates. This document is not intended for public distribution or disclosure. This document may be referenced and reproduced for and by Reynolds Cycling and Reynolds Cycling affiliates only.

BLACKLABEL DH 289 EXPERT



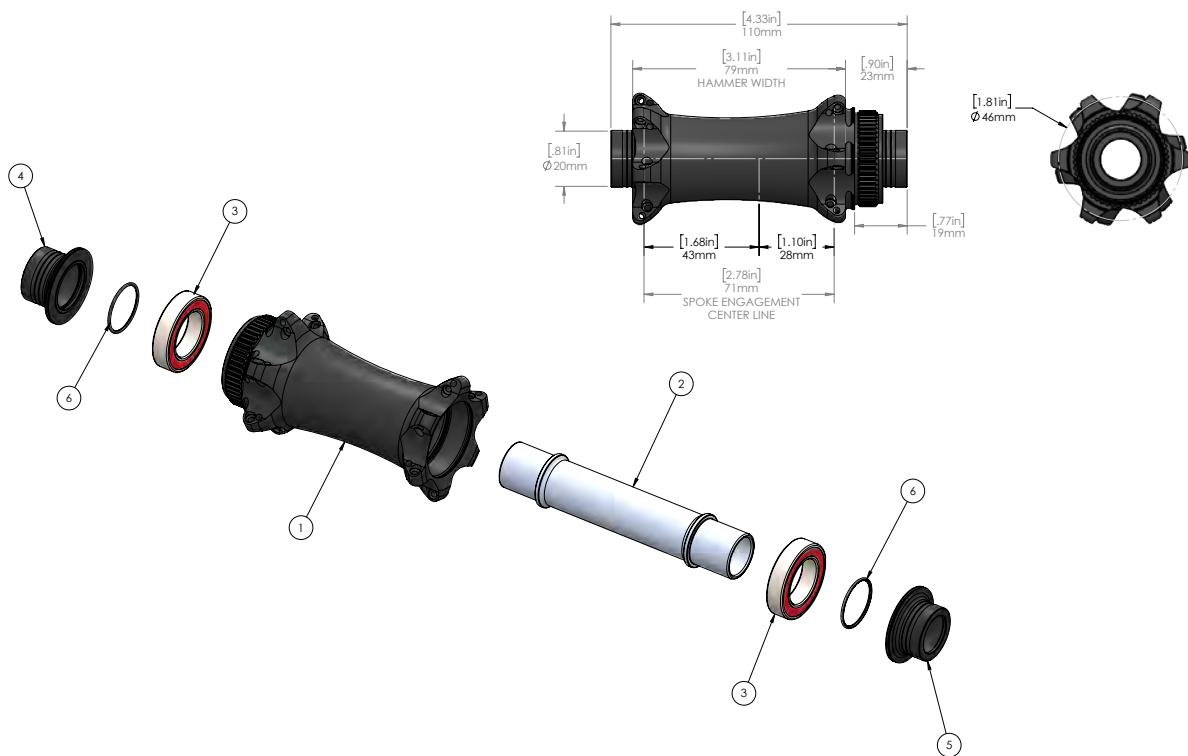
70656	WS, BL289r DH LTD SPL 32/32H 157	
70658	W, BL289r DH LTD FRNT 32H 110	1
57604	D RIM, 29ER DOWNHILL ASYM 32H	1
21886	RIM TAPE, TL 30MM 5.5M INSTALED	1
16-37507-C001	Bubba DH Front 32h 110x20 Boost Blk	1
21701	SPOKE, SPM SPRINT 282MM JB BLK	16
21703	SPOKE, SPM SPRINT 284MM JB BLK	16
20315	NIPPLE, BRASS 14MM BLACK EXT	32
22249	DECAL, VINYL BL289r DH LTD	1
85181	W ACC KIT, REY DH/FATBIKE TL	1
3040	9 X 12 X 4MIL ZIP LOCK BAG	1
20333	REYNOLDS NEW PROD WEBSITE CARD	1
20904	VALVE STEM, AM 45MM LONG	1
70659	W, BL289r DH LTD SPL 157	1
57604	D RIM, 29ER DOWNHILL ASYM 32H	1
21886	RIM TAPE, TL 30MM 5.5M INSTALED	1
16-37338-C001	Bubba Rear 32h 157x12 HG Blk	1
21702	SPOKE, SPM SPRINT 283MM JB BLK	16
21703	SPOKE, SPM SPRINT 284MM JB BLK	16
20315	NIPPLE, BRASS 14MM BLACK EXT	32
22249	DECAL, VINYL BL289r DH LTD	1
281-37248-K002	Bubba FH body Kit - SRAM XD Alloy	1
85181	W ACC KIT, REY DH/FATBIKE TL	1
3040	9 X 12 X 4MIL ZIP LOCK BAG	1
20333	REYNOLDS NEW PROD WEBSITE CARD	1
20904	VALVE STEM, AM 45MM LONG	1

FREEHUB OPTIONS

22530	FREEHUB, I9 HD SPL 10-SP MTN 6-PAWL
22531	FREEHUB, I9HD XD 11SP MTN 6PAWL
22532	FREEHUB, I9 HD MS 12-SPD MTN 6-PAWL
22542	END CAP, I9 HD RR ISO ALL KIT
22536	AXLE, I9HDMTN REAR ISO DH150MM
20164	BEARING, i9 15307 A5
20165	BEARING, ENDURO 18307 ABEC 5
20168	BEARING, ENDURO 61903 ABEC 5
21853	O-Ring, i9 Frt 25mm End Cap CL
22548	HUB i9 HYDRA 6 PAWL SPRING KIT

WARNING: The information contained herein is proprietary and confidential to Reynolds Cycling and Reynolds Cycling affiliates. This document is not intended for public distribution or disclosure. This document may be referenced and reproduced for and by Reynolds Cycling and Reynolds Cycling affiliates only.

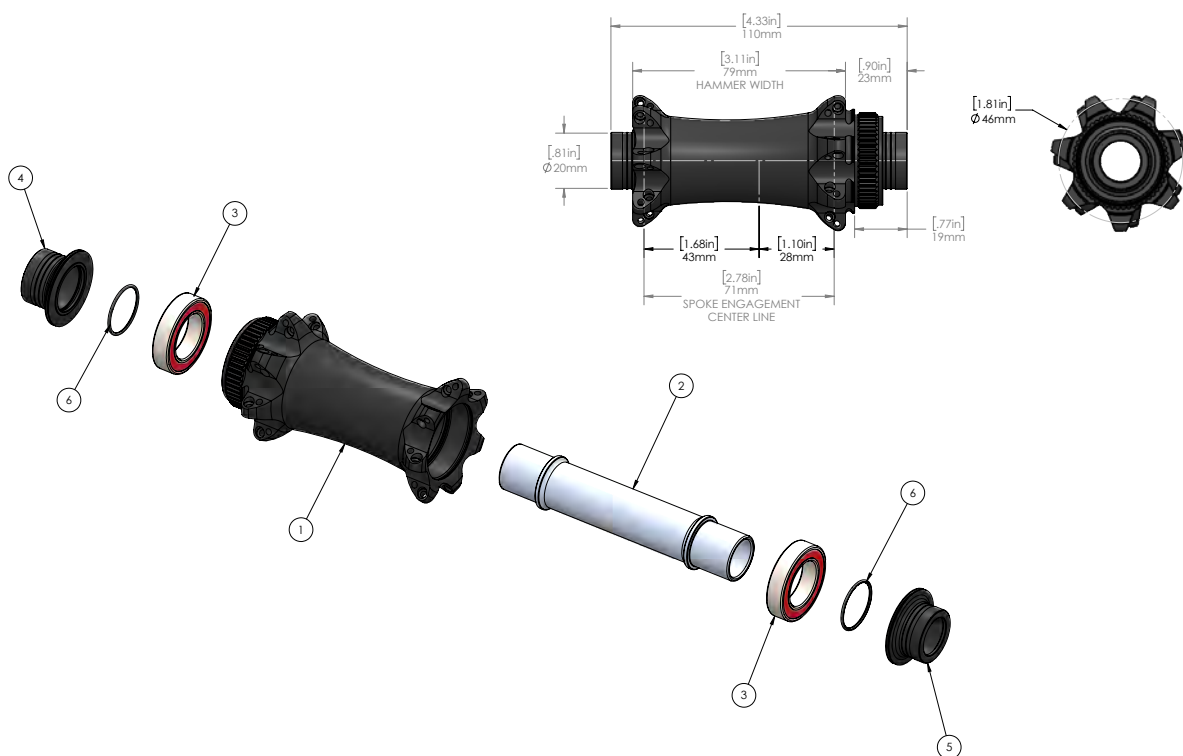
i9 HDMTN SPCL 24H 110X15TA



ITEM #	PART #	DESCRIPTION	QTY
1	22545	HUB, I9 HDMTN SPCL 24H110X15TA	1
2	22537	AXLE, I9 HDMTN FRT CL 110/15 HUB	1
3	20165	BEARING, ENDURO 18307 ABEC 5	2
4	22538	END CAP, I9 HDMTN FRNT 15MM KIT	1
5	N/A	See #4	
6	N/A	O-RING 18MM X 1MM	

WARNING: The information contained herein is proprietary and confidential to Reynolds Cycling and Reynolds Cycling affiliates. This document is not intended for public distribution or disclosure. This document may be referenced and reproduced for and by Reynolds Cycling and Reynolds Cycling affiliates only.

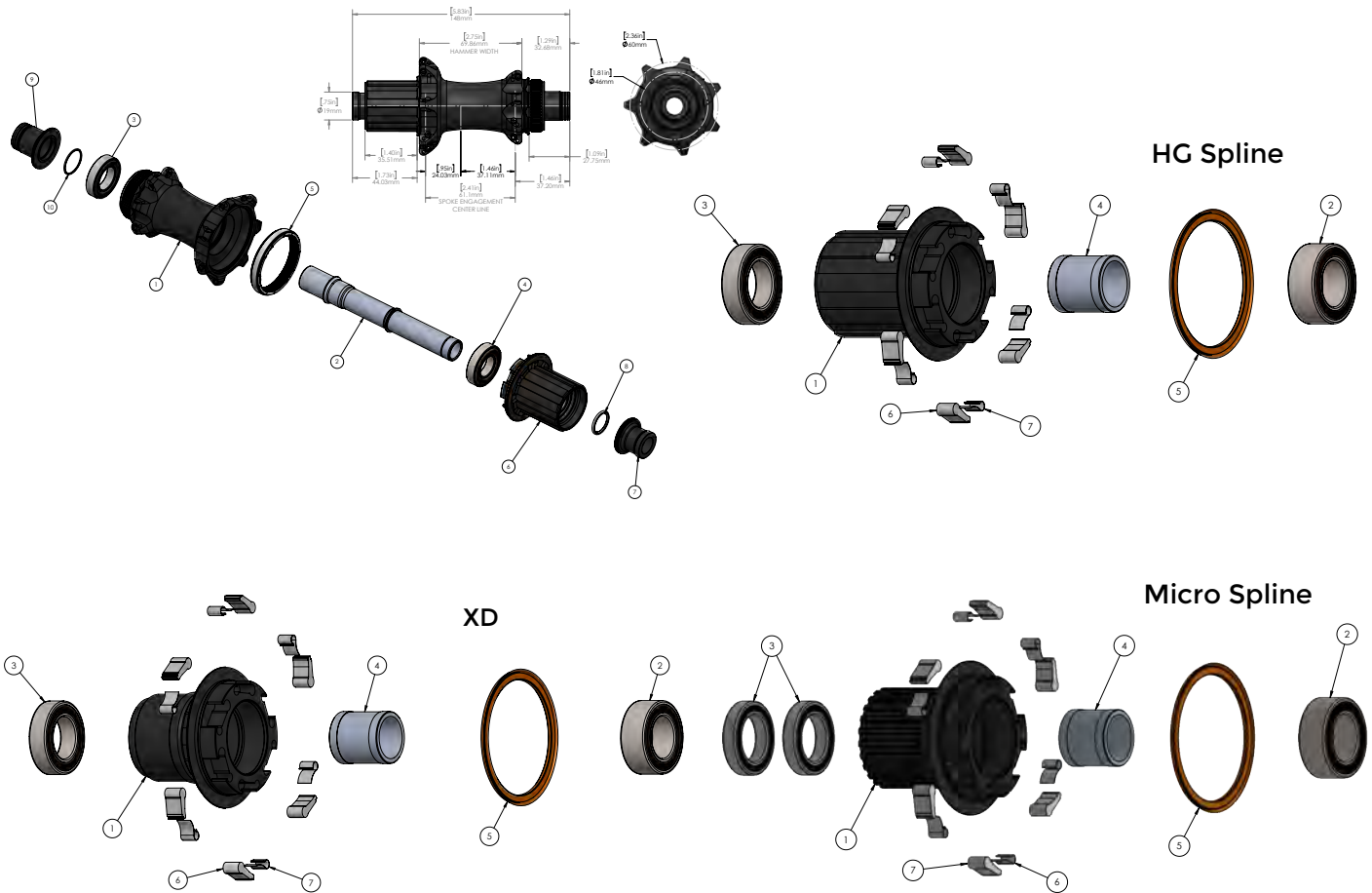
i9 HD MTN SP CL 28H 110X15 TA



ITEM #	PART #	DESCRIPTION	QTY
1	22544	HUB, I9 HDMTN SPCL 28H110X15TA	1
2	22537	AXLE, I9 HDMTN FRT CL 110/15 HUB	1
3	20165	BEARING, ENDURO 18307 ABEC 5	2
4	22538	END CAP, I9 HDMTN FRNT 15MM KIT	1
5	N/A	See #4	
6	N/A	O-RING 18MM X 1MM	

WARNING: The information contained herein is proprietary and confidential to Reynolds Cycling and Reynolds Cycling affiliates. This document is not intended for public distribution or disclosure. This document may be referenced and reproduced for and by Reynolds Cycling and Reynolds Cycling affiliates only.

i9 HD MTN SP CL SPL 28H 148X12

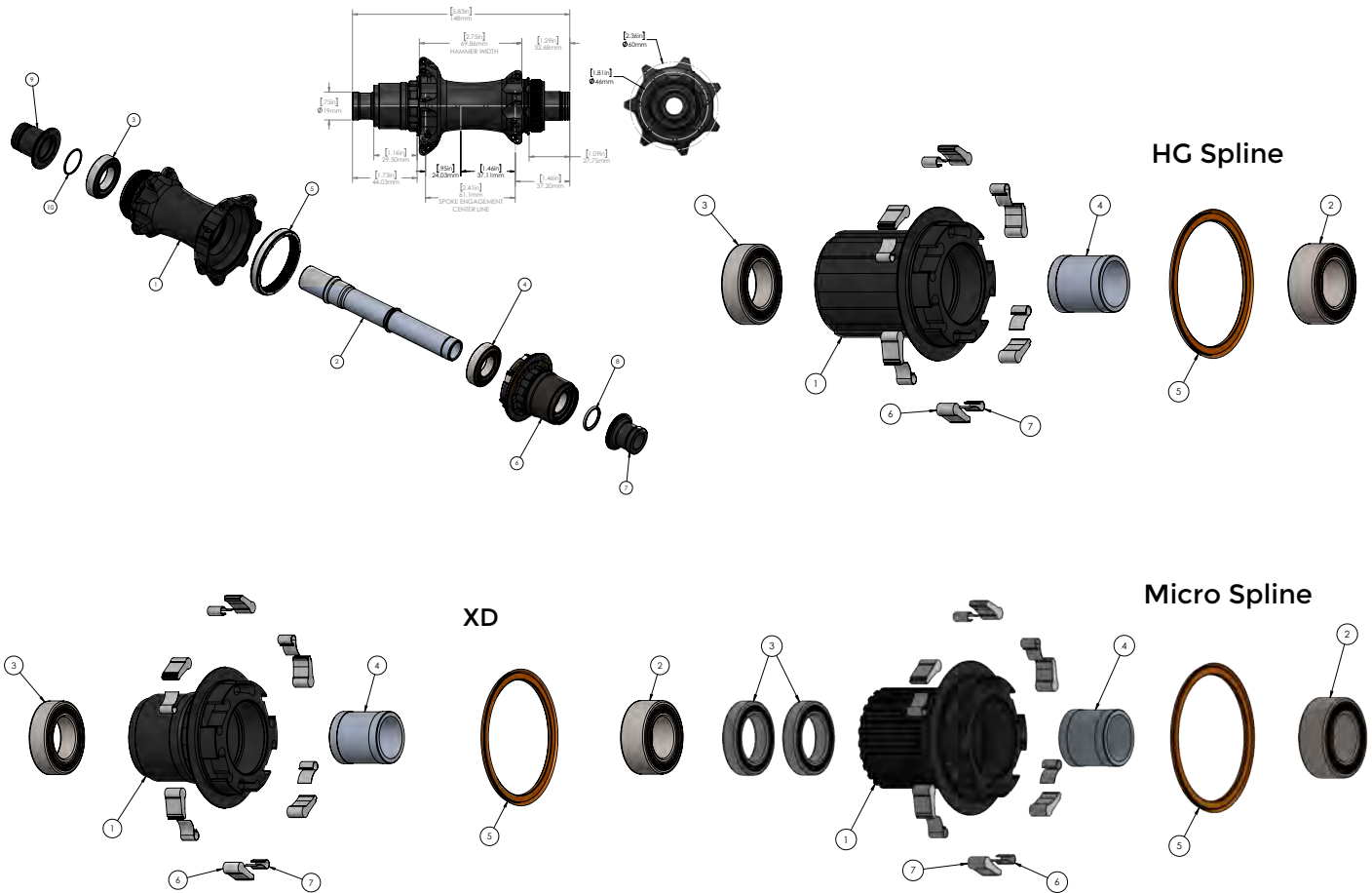


ITEM #	PART #	DESCRIPTION	QTY
1	22524	HUB, I9 HDMTN SP CLSPL28H148X12	
2	22534	AXLE, I9 HDMTN REAR CL 148/12 HUB	1
3	20168	BEARING, ENDURO 61903 ABEC 5	1
4	20164	BEARING, I9 15307 A5	1
5	N/A	HYDRA 115T DRIVE RING	
6	22530	FREEHUB, I9HD SPL 10SP MTN-6PAW	1
7	22540	END CAP, I9 HD RR 142/148/12 KIT	1
8	N/A	O-RING 1/16 X 9/16	
9	N/A	SEE #7	
10	21852	O-RING, I9 REAR 17MM END CAP CL	1

ITEM #	PART #	DESCRIPTION	QTY
1	22530	FREEHUB, I9HD SPL 10SP MTN6PAW	1
	22531	FREEHUB, I9HD XD 11SP MTN 6PAW	1
	22532	FREEHUB, I9HD MS 11SP MTN 6PAW	1
2	423-39028-0001	BEARING, ENDURO 152610, I9 HYDRA MS FHB	1
3	20377	BEARING, 15267-2RS 15*26*7 LOGO:REVO CRE	1
4	21793	SPACER, I9 REAR AXLE	
5	N/A	HYDRA/TORCH FREEHUB SEAL	
6	N/A	HYDRA PAWL	
7	22548	HUB, I9 HYDRA MTN 6 PAWL SPRING KIT	1
	22525	HUB, I9 HDMTN SP CLXD28H148X12	

WARNING: The information contained herein is proprietary and confidential to Reynolds Cycling and Reynolds Cycling affiliates. This document is not intended for public distribution or disclosure. This document may be referenced and reproduced for and by Reynolds Cycling and Reynolds Cycling affiliates only.

i9 HD MTN SP CL XD 28H 148X12

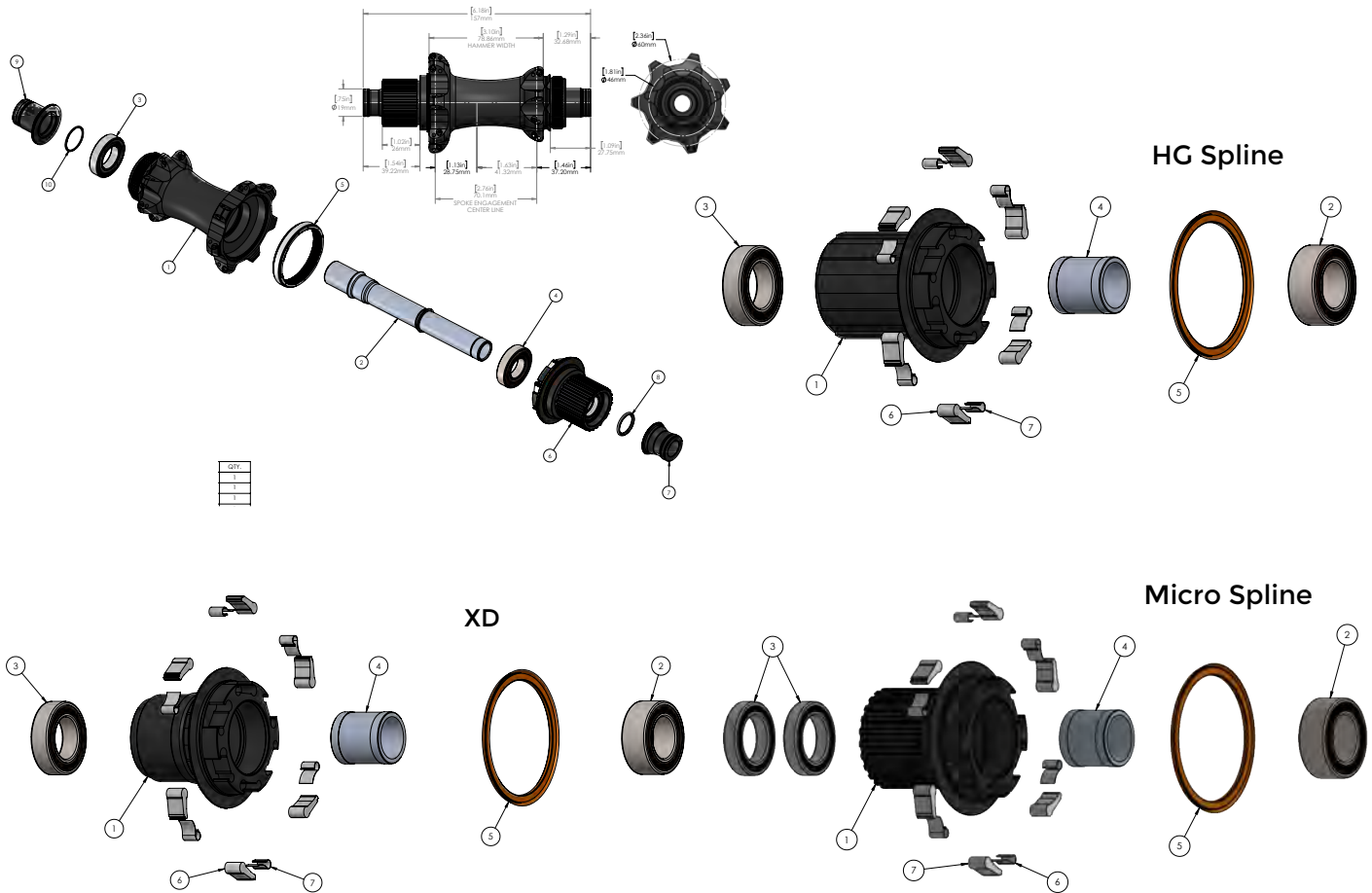


ITEM #	PART #	DESCRIPTION	QTY
1	22524	HUB, I9 HDMTN SP CLSPL28H148X12	
2	22534	AXLE, I9 HDMTN REAR CL 148/12 HUB	1
3	20168	BEARING, ENDURO 61903 ABEC 5	1
4	20164	BEARING, I9 15307 A5	1
5	N/A	HYDRA 115T DRIVE RING	
6	22530	FREEHUB, I9HD SPL 10SP MTN6PAW	1
7	22541	END CAP, I9 HD RR MS 142/148/12 KIT	1
8	N/A	O-RING 1/16 X 9/16	
9	N/A	SEE #7	
10	21852	O-RING, I9 REAR 17MM END CAP CL	1

ITEM #	PART #	DESCRIPTION	QTY
1	22530	FREEHUB, I9HD SPL 10SP MTN6PAW	1
	22531	FREEHUB, I9HD XD 11SP MTN 6PAW	1
	22532	FREEHUB, I9HD MS 11SP MTN 6PAW	1
2	423-39028-0001	BEARING, ENDURO 152610, I9 HYDRA MS FHB	1
3	20379	BEARING, 6802-2RV 15*24*5 LOGO:REVO CRE	1
4	21793	SPACER, I9 REAR AXLE	
5	N/A	HYDRA/TORCH FREEHUB SEAL	
6	N/A	HYDRA PAWL	
7	22548	HUB, I9 HYDRA MTN 6 PAWL SPRING KIT	1

WARNING: The information contained herein is proprietary and confidential to Reynolds Cycling and Reynolds Cycling affiliates. This document is not intended for public distribution or disclosure. This document may be referenced and reproduced for and by Reynolds Cycling and Reynolds Cycling affiliates only.

i9 HDMTN SP CLMS 28H 157X12

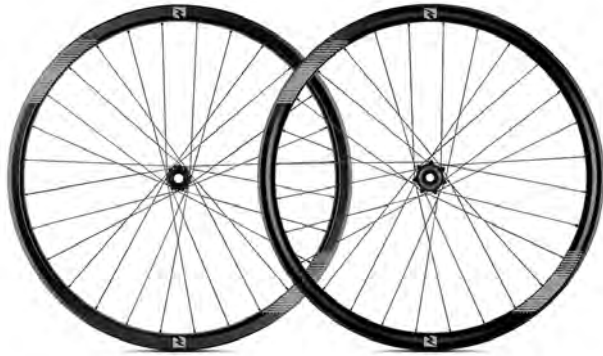


ITEM #	PART #	DESCRIPTION	QTY
1	22529	HUB, I9 HDMTN SP CLMS28H157X12	
2	22535	AXLE, I9 HDMTN REAR CL 157/12 HUB	1
3	20168	BEARING, ENDURO 61903 ABEC 5	1
4	20164	BEARING, I9 15307 A5	1
5	N/A	HYDRA 115T DRIVE RING	
6	22530	FREEHUB, I9HD SPL 10SP MTN6PAW	1
7	22541	END CAP, I9 HD RR MS 142/148/12 KIT	1
8	N/A	O-RING 1/16 X 9/16	
9	N/A	SEE #7	
10	21852	O-RING, I9 REAR 17MM END CAP CL	1

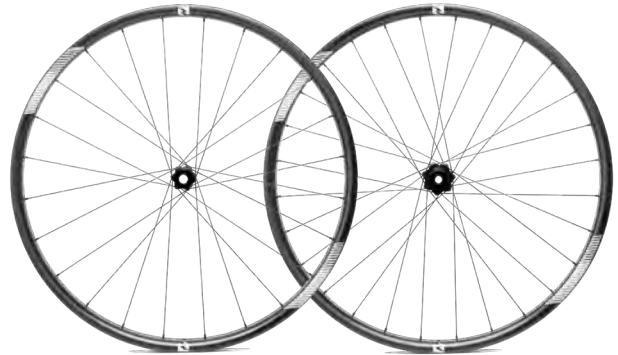
ITEM #	PART #	DESCRIPTION	QTY
1	22530	FREEHUB, I9HD SPL 10SP MTN6PAW	1
	22531	FREEHUB, I9HD XD 11SP MTN 6PAW	1
	22532	FREEHUB, I9HD MS 11SP MTN 6PAW	1
2	423-39028-0001	BEARING, ENDURO 152610, I9 HYDRA MS FHB	1
3	20379	BEARING, 6802-2RV 15*24*5 LOGO:REVO CRE	1
4	21793	SPACER, I9 REAR AXLE	
5	N/A	HYDRA/TORCH FREEHUB SEAL	
6	N/A	HYDRA PAWL	
7	22548	HUB, I9 HYDRA MTN 6 PAWL SPRING KIT	1

WARNING: The information contained herein is proprietary and confidential to Reynolds Cycling and Reynolds Cycling affiliates. This document is not intended for public distribution or disclosure. This document may be referenced and reproduced for and by Reynolds Cycling and Reynolds Cycling affiliates only.

TR & TR S MOUNTAIN WHEELS



TR 249 & TR 249 S



TR 309/289 & TR 309/289 S



TR 307 & TR 307 S



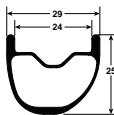
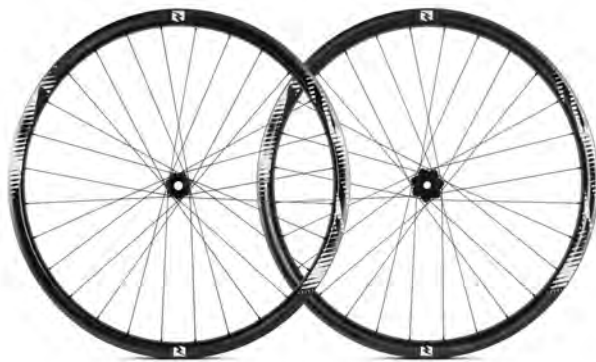
TR 309 & TR 309 S



TR 367 & TR 367 S

WARNING: The information contained herein is proprietary and confidential to Reynolds Cycling and Reynolds Cycling affiliates. This document is not intended for public distribution or disclosure. This document may be referenced and reproduced for and by Reynolds Cycling and Reynolds Cycling affiliates only.

TR 249 MOUNTAIN



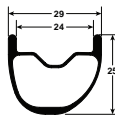
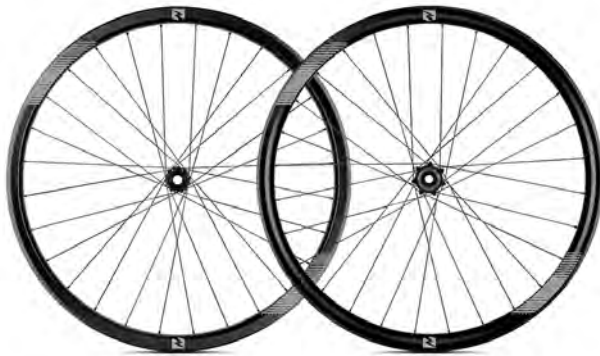
FREEHUB OPTIONS

20783	O-RING, GW DB END CAPS
22099	SPACER, GW, RED 17.5*15*2.1 mm
22162	SPACER, GW REAR AXLE
22122	END CAP, GW DB FRNT 15MM TA
22128	END CAP, GW DB R 12/142 TA
22567	FREEHUB, GW TR3 XD 4 PAWL 3 BEARING
22569	FREEHUB, GW TR3 SPL 4 PAWL 3 BEARING
22572	FREEHUB, GW TR3 MS 4 PAWL 3 BEARING
22161	AXLE, GW FRONT TA
22169	AXLE, GW 142 DB REAR 15/12/125 CrMo
21439	AXLE, GW LITE STEEL 15/13/131 CRMO 148
21440	AXLE, GW LITE STEEL 15/13/140 CRMO 157
22163	SEAL, GW REAR HUB NDS

78871	WS, 29 TR249 SHIM 28/28	
78873	W, 29 TR249 FRNT 28H	1
57932	D RIM, 29 XC PAC ASYM 28H 5°	1
20919	RIM TAPE, TL 25MM 5.5M INSTALED	1
22114	HUB, GW MTN TR3 FRNT 100/15 28	1
22420	SPOKE, SPM SPRINT SP 297MM BLK	14
22423	SPOKE, SPM SPRINT SP 300MM BLK	14
20355	NIPPLE, EXT BLACK BRASS SQ HEAD	28
21989	DECAL, 29 TR249 WHITE	0.5
20007	DECAL, NOT INTENDED FOR RB USE	1
20008	DECAL, REGISTER WHEELS	1
20332	WHEEL RAP HANG TAG	1
20120	BOX, TW DBLE WHL RNLD WIDE29er	0.5
78874	W, 29 TR249 SHIM 28H	1
57932	D RIM, 29 XC PAC ASYM 28H 5°	1
20919	RIM TAPE, TL 25MM 5.5M INSTALED	1
22116	HUB, GW MTN TR3 SHIM 142/12 28	1
22422	SPOKE, SPM SPRINT SP 299MM BLK	14
22423	SPOKE, SPM SPRINT SP 300MM BLK	14
20355	NIPPLE, EXT BLACK BRASS SQ HEAD	28
21989	DECAL, 29 TR249 WHITE	0.5
20007	DECAL, NOT INTENDED FOR RB USE	1
20008	DECAL, REGISTER WHEELS	1
20332	WHEEL RAP HANG TAG	1
20120	BOX, TW DBLE WHL RNLD WIDE29er	0.5
85513	W ACC KIT, MTN ASYM TL FRONT	1
3040	9 X 12 X 4MIL ZIP LOCK BAG	1
20333	REYNOLDS NEW PROD WEBSITE CARD	1
20904	VALVE STEM, AM 45MM LONG	1
85514	W ACC KIT, MTN ASYM TL REAR	1
3040	9 X 12 X 4MIL ZIP LOCK BAG	1
20333	REYNOLDS NEW PROD WEBSITE CARD	1
20904	VALVE STEM, AM 45MM LONG	1

WARNING: The information contained herein is proprietary and confidential to Reynolds Cycling and Reynolds Cycling affiliates. This document is not intended for public distribution or disclosure. This document may be referenced and reproduced for and by Reynolds Cycling and Reynolds Cycling affiliates only.

TR 249 S MOUNTAIN



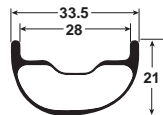
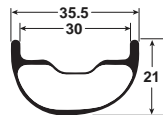
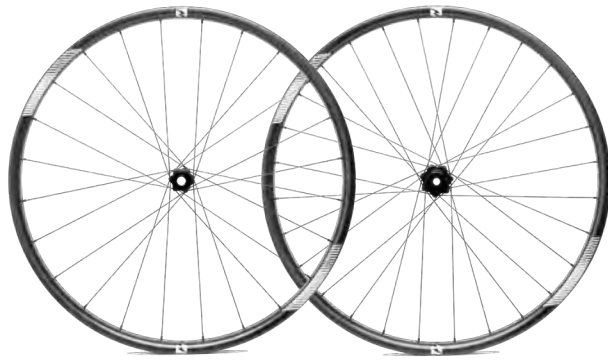
FREEHUB OPTIONS

20783	O-RING, GW DB END CAPS
22099	SPACER, GW, RED 17.5*15*2.1 mm
22162	SPACER, GW REAR AXLE
22122	END CAP, GW DB FRNT 15MM TA
22128	END CAP, GW DB R 12/142 TA
22148	FREEHUB, GW MTN SHIM 6 PAWL
22151	FREEHUB, GW MTN XD 6 PAWL
22519	FREEHUB, GW TR6 MS 6 PAWL
22161	AXLE, GW FRONT TA
22169	AXLE, GW 142 DB REAR 15/12/125 CrMo
21439	AXLE, GW LITE STEEL 15/13/131 CRMO 148
21440	AXLE, GW LITE STEEL 15/13/140 CRMO 157
22163	SEAL, GW REAR HUB NDS

78771	WS, 29 TR249s SHIM 28/28	
78773	W, 29 TR249s FRNT 28H	1
57932	D RIM, 29 XC PAC ASYM 28H 5°	1
20919	RIM TAPE, TL 25MM 5.5M INSTALED	1
22136	HUB, GW MTN CL FRNT 100/15 28H	1
22490	SPOKE, SPM CXDELTA SP 300MM BL	14
22492	SPOKE, SPM CXDELTA SP 302MM BL	14
20311	NIPPLE, EXT BLACK ALLOY SQ HEAD	28
21979	DECAL, 29 TR249s GRAY	1
81204	DECAL KIT, TR249s - 5 COLORS	1
20007	DECAL, NOT INTENDED FOR RB USE	1
20008	DECAL, REGISTER WHEELS	1
20332	WHEEL RAP HANG TAG	1
20120	BOX, TW DBLE WHL RNLD WIDE29er	0.5
78774	W, 29 TR249s SHIM 28H	1
57932	D RIM, 29 XC PAC ASYM 28H 5°	1
20919	RIM TAPE, TL 25MM 5.5M INSTALED	1
22138	HUB, GW MTN CL SHIM 142/12 28H	1
22490	SPOKE, SPM CXDELTA 300MM SP BLK	28
20311	NIPPLE, EXT BLACK ALLOY SQ HEAD	28
21979	DECAL, 29 TR249s GRAY	1
81204	DECAL KIT, TR249s - 5 COLORS	1
20007	DECAL, NOT INTENDED FOR RB USE	1
20008	DECAL, REGISTER WHEELS	1
20332	WHEEL RAP HANG TAG	1
20120	BOX, TW DBLE WHL RNLD WIDE29er	0.5
85513	W ACC KIT, MTN ASYM TL FRONT	1
3040	9 X 12 X 4MIL ZIP LOCK BAG	1
20333	REYNOLDS NEW PROD WEBSITE CARD	1
20904	VALVE STEM, AM 45MM LONG	1
85514	W ACC KIT, MTN ASYM TL REAR	1
3040	9 X 12 X 4MIL ZIP LOCK BAG	1
20333	REYNOLDS NEW PROD WEBSITE CARD	1
20904	VALVE STEM, AM 45MM LONG	1

WARNING: The information contained herein is proprietary and confidential to Reynolds Cycling and Reynolds Cycling affiliates. This document is not intended for public distribution or disclosure. This document may be referenced and reproduced for and by Reynolds Cycling and Reynolds Cycling affiliates only.

TR 309/289 XC



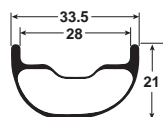
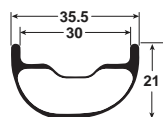
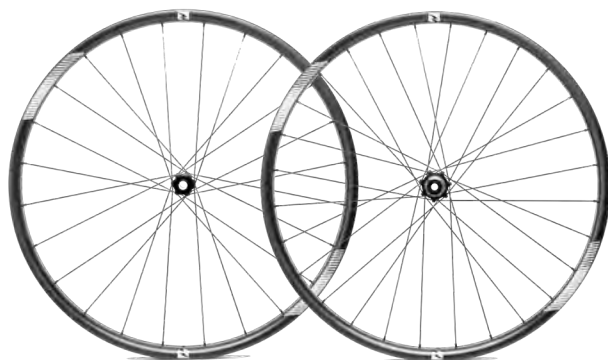
FREEHUB OPTIONS

20783	O-RING, GW DB END CAPS
22099	SPACER, GW, RED 17.5*15*2.1 mm
22162	SPACER, GW REAR AXLE
22122	END CAP, GW DB FRNT 15MM TA
22128	END CAP, GW DB R 12/142 TA
22567	FREEHUB, GW TR3 XD 4 PAWL 3 BEARING
22569	FREEHUB, GW TR3 SPL 4 PAWL 3 BEARING
22572	FREEHUB, GW TR3 MS 4 PAWL 3 BEARING
22161	AXLE, GW FRONT TA
22169	AXLE, GW 142 DB REAR 15/12/125 CrMo
21439	AXLE, GW LITE STEEL 15/13/131 CRMO 148
21440	AXLE, GW LITE STEEL 15/13/140 CRMO 157
22163	SEAL, GW REAR HUB NDS

70642	WS, TR309/289 XC TSS MS 24/28H 148	
70643	W, TR309 TSS FRNT 24H	1
50633	D RIM, 30mm XC TR 24H	1
21886	RIM TAPE, TL 30MM 5.5M INSTALED	1
22562	HUB, GW MTN TR3 FRNT 15/110 24H	1
22423	SPOKE, SPM SPRINT SP 300MM BLK	12
22424	SPOKE, SPM SPRINT SP 301MM BLK	12
20355	NIPPLE, EXT BLACK BRASS SQ HEAD	28
22367	Decal, VINYL TR309 XC	1
85513	W ACC KIT, MTN ASYM TL FRONT	1
3040	9 X 12 X 4MIL ZIP LOCK BAG	1
20333	REYNOLDS NEW PROD WEBSITE CARD	1
20904	VALVE STEM, AM 45MM LONG	1
70645	W, TR289 XC TSS MS 28H 148	1
50634	D RIM, 28mm XC TR 28H	1
21886	RIM TAPE, TL 30MM 5.5M INSTALED	1
22123	HUB, GW MTN TR3 MS 148/12 28H	1
22425	SPOKE, SPM SPRINT SP 302MM BLK	14
22426	SPOKE, SPM SPRINT SP 303MM BLK	14
20355	NIPPLE, EXT BLACK BRASS SQ HEAD	28
22368	Decal, VINYL TR289 XC	1
85514	W ACC KIT, MTN ASYM TL REAR	1
3040	9 X 12 X 4MIL ZIP LOCK BAG	1
20333	REYNOLDS NEW PROD WEBSITE CARD	1
20904	VALVE STEM, AM 45MM LONG	1

WARNING: The information contained herein is proprietary and confidential to Reynolds Cycling and Reynolds Cycling affiliates. This document is not intended for public distribution or disclosure. This document may be referenced and reproduced for and by Reynolds Cycling and Reynolds Cycling affiliates only.

TR 309/289 S XC



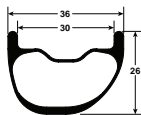
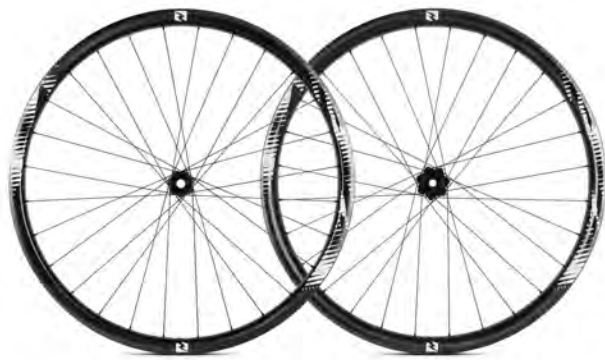
FREEHUB OPTIONS

20783	O-RING, GW DB END CAPS
22099	SPACER, GW, RED 17.5*15*2.1 mm
22162	SPACER, GW REAR AXLE
22122	END CAP, GW DB FRNT 15MM TA
22128	END CAP, GW DB R 12/142 TA
22148	FREEHUB, GW MTN SHIM 6 PAWL
22151	FREEHUB, GW MTN XD 6 PAWL
22519	FREEHUB, GW TR6 MS 6 PAWL
22161	AXLE, GW FRONT TA
22169	AXLE, GW 142 DB REAR 15/12/125 CrMo
21439	AXLE, GW LITE STEEL 15/13/131 CRMO 148
21440	AXLE, GW LITE STEEL 15/13/140 CRMO 157
22163	SEAL, GW REAR HUB NDS

70632	WS, TR309/289s XC TSS MS 24/28H 148	
70633	W, TR309s TSS FRNT 24H	1
50633	D RIM, 30mm XC TR 24H	1
21886	RIM TAPE, TL 30MM 5.5M INSTALED	1
22561	HUB, GW MTN CL FRNT 15/110 24H	1
22490	SPOKE, SPM CXDELTA SP 300MM BL	12
22491	SPOKE, SPM CXDELTA SP 301MM BL	12
20311	NIPPLE, EXT BLACK ALLOY SQ HEAD	28
22365	Decal, VINYL TR309s XC	1
22317	DECAL KIT, TR309s XC - 5 COLORS	1
85513	W ACC KIT, MTN ASYM TL FRONT	1
3040	9 X 12 X 4MIL ZIP LOCK BAG	1
20333	REYNOLDS NEW PROD WEBSITE CARD	1
20904	VALVE STEM, AM 45MM LONG	1
70635	W, TR289s XC TSS MS 28H 148	1
50634	D RIM, 28mm XC TR 28H	1
21886	RIM TAPE, TL 30MM 5.5M INSTALED	1
22125	HUB, GW MTN TR6 MS 148/12 28H	1
22489	SPOKE, SPM CXDELTA SP 306MM BL	28
20311	NIPPLE, EXT BLACK ALLOY SQ HEAD	28
22366	Decal, VINYL TR289s XC	1
22318	DECAL KIT, TR289s XC - 5 COLORS	1
85514	W ACC KIT, MTN ASYM TL REAR	1
3040	9 X 12 X 4MIL ZIP LOCK BAG	1
20333	REYNOLDS NEW PROD WEBSITE CARD	1
20904	VALVE STEM, AM 45MM LONG	1

WARNING: The information contained herein is proprietary and confidential to Reynolds Cycling and Reynolds Cycling affiliates. This document is not intended for public distribution or disclosure. This document may be referenced and reproduced for and by Reynolds Cycling and Reynolds Cycling affiliates only.

TR 307 MOUNTAIN



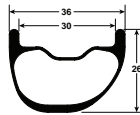
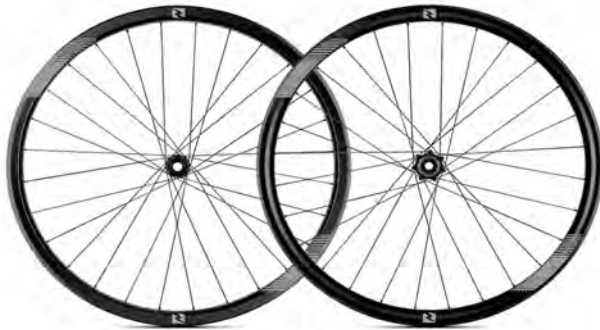
FREEHUB OPTIONS

20783	O-RING, GW DB END CAPS
22099	SPACER, GW, RED 17.5*15*2.1 mm
22162	SPACER, GW REAR AXLE
22122	END CAP, GW DB FRNT 15MM TA
22128	END CAP, GW DB R 12/142 TA
22567	FREEHUB, GW TR3 XD 4 PAWL 3 BEARING
22569	FREEHUB, GW TR3 SPL 4 PAWL 3 BEARING
22572	FREEHUB, GW TR3 MS 4 PAWL 3 BEARING
22161	AXLE, GW FRONT TA
22169	AXLE, GW 142 DB REAR 15/12/125 CrMo
21439	AXLE, GW LITE STEEL 15/13/131 CRMO 148
21440	AXLE, GW LITE STEEL 15/13/140 CRMO 157
22163	SEAL, GW REAR HUB NDS

78801	WS, 27.5 TR307 SHIM 28/28	
78803	W, 27.5 TR307 FRNT 28H	1
58902	D RIM, 27.5 WD PAC ASYM 28H 5°	1
21886	RIM TAPE, TL 30MM 5.5M INSTALED	1
22114	HUB, GW MTN TR3 FRNT 100/15 28	1
22410	SPOKE, SPM SPRINT SP 278MM BLK	14
22412	SPOKE, SPM SPRINT SP 280MM BLK	14
20355	NIPPLE, EXT BLACK BRASS SQ HEAD	28
21984	DECAL, 27.5 TR307 WHITE	0.5
20007	DECAL, NOT INTENDED FOR RB USE	1
20008	DECAL, REGISTER WHEELS	1
20332	WHEEL RAP HANG TAG	1
20120	BOX, TW DBLE WHL RNLD WIDE29er	0.5
78804	W, 27.5 TR307 SHIM 28H	1
58902	D RIM, 27.5 WD PAC ASYM 28H 5°	1
21886	RIM TAPE, TL 30MM 5.5M INSTALED	1
22116	HUB, GW MTN TR3 SHIM 142/12 28	1
22410	SPOKE, SPM SPRINT SP 278MM BLK	14
22413	SPOKE, SPM SPRINT SP 281MM BLK	14
20355	NIPPLE, EXT BLACK BRASS SQ HEAD	28
21984	DECAL, 27.5 TR307 WHITE	0.5
20007	DECAL, NOT INTENDED FOR RB USE	1
20008	DECAL, REGISTER WHEELS	1
20332	WHEEL RAP HANG TAG	1
20120	BOX, TW DBLE WHL RNLD WIDE29er	0.5
85513	W ACC KIT, MTN ASYM TL FRONT	1
3040	9 X 12 X 4MIL ZIP LOCK BAG	1
20333	REYNOLDS NEW PROD WEBSITE CARD	1
20904	VALVE STEM, AM 45MM LONG	1
85514	W ACC KIT, MTN ASYM TL REAR	1
3040	9 X 12 X 4MIL ZIP LOCK BAG	1
20333	REYNOLDS NEW PROD WEBSITE CARD	1
20904	VALVE STEM, AM 45MM LONG	1

WARNING: The information contained herein is proprietary and confidential to Reynolds Cycling and Reynolds Cycling affiliates. This document is not intended for public distribution or disclosure. This document may be referenced and reproduced for and by Reynolds Cycling and Reynolds Cycling affiliates only.

TR 307 S MOUNTAIN



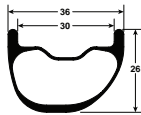
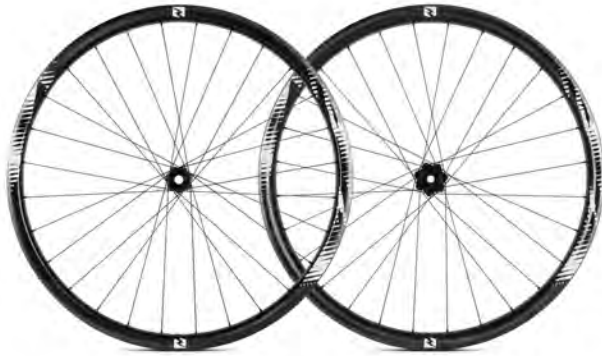
FREEHUB OPTIONS

20783	O-RING, GW DB END CAPS
22099	SPACER, GW, RED 17.5*15*2.1 mm
22162	SPACER, GW REAR AXLE
22122	END CAP, GW DB FRNT 15MM TA
22128	END CAP, GW DB R 12/142 TA
22148	FREEHUB, GW MTN SHIM 6 PAWL
22151	FREEHUB, GW MTN XD 6 PAWL
22519	FREEHUB, GW TR6 MS 6 PAWL
22161	AXLE, GW FRONT TA
22169	AXLE, GW 142 DB REAR 15/12/125 CrMo
21439	AXLE, GW LITE STEEL 15/13/131 CRMO 148
21440	AXLE, GW LITE STEEL 15/13/140 CRMO 157
22163	SEAL, GW REAR HUB NDS

78701	WS, 27.5 TR307s SHIM 28/28	
78703	W, 27.5 TR307s FRNT 28H	1
58902	D RIM, 27.5 WD PAC ASYM 28H 5°	1
21886	RIM TAPE, TL 30MM 5.5M INSTALED	1
22136	HUB, GW MTN CL FRNT 100/15 28H	1
22480	SPOKE, SPM CXDELTA 280MM SP BL	14
22481	SPOKE, SPM CXDELTA 281MM SP BL	14
20311	NIPPLE, EXT BLACK ALLOY SQ HEAD	28
21974	DECAL, 27.5 TR307s GRAY	1
81201	DECAL KIT, TR307s - 5 COLORS	1
20007	DECAL, NOT INTENDED FOR RB USE	1
20008	DECAL, REGISTER WHEELS	1
20332	WHEEL RAP HANG TAG	1
20120	BOX, TW DBLE WHL RNLD WIDE29er	0.5
78704	W, 27.5 TR307s SHIM 28H	1
58902	D RIM, 27.5 WD PAC ASYM 28H 5°	1
21886	RIM TAPE, TL 30MM 5.5M INSTALED	1
22138	HUB, GW MTN CL SHIM 142/12 28H	1
22481	SPOKE, SPM CXDELTA 281MM SP BL	28
20311	NIPPLE, EXT BLACK ALLOY SQ HEAD	28
21974	DECAL, 27.5 TR307s GRAY	1
81201	DECAL KIT, TR307s - 5 COLORS	1
20007	DECAL, NOT INTENDED FOR RB USE	1
20008	DECAL, REGISTER WHEELS	1
20332	WHEEL RAP HANG TAG	1
20120	BOX, TW DBLE WHL RNLD WIDE29er	0.5
85513	W ACC KIT, MTN ASYM TL FRONT	1
3040	9 X 12 X 4MIL ZIP LOCK BAG	1
20904	VALVE STEM, AM 45MM LONG	1
85514	W ACC KIT, MTN ASYM TL REAR	1
3040	9 X 12 X 4MIL ZIP LOCK BAG	1
20333	REYNOLDS NEW PROD WEBSITE CARD	1
20904	VALVE STEM, AM 45MM LONG	1

WARNING: The information contained herein is proprietary and confidential to Reynolds Cycling and Reynolds Cycling affiliates. This document is not intended for public distribution or disclosure. This document may be referenced and reproduced for and by Reynolds Cycling and Reynolds Cycling affiliates only.

TR 309 MOUNTAIN



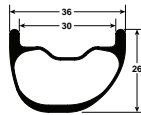
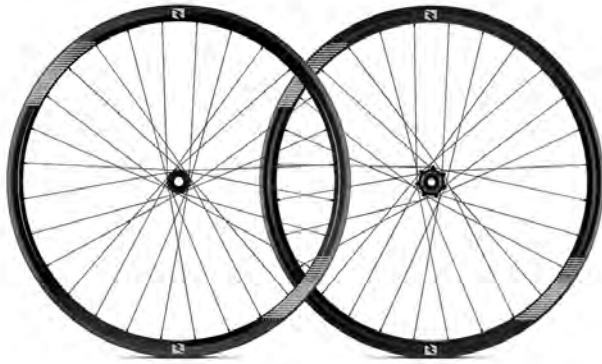
FREEHUB OPTIONS

20783	O-RING, GW DB END CAPS
22099	SPACER, GW, RED 17.5*15*2.1 mm
22162	SPACER, GW REAR AXLE
22122	END CAP, GW DB FRNT 15MM TA
22128	END CAP, GW DB R 12/142 TA
22567	FREEHUB, GW TR3 XD 4 PAWL 3 BEARING
22569	FREEHUB, GW TR3 SPL 4 PAWL 3 BEARING
22572	FREEHUB, GW TR3 MS 4 PAWL 3 BEARING
22161	AXLE, GW FRONT TA
22169	AXLE, GW 142 DB REAR 15/12/125 CrMo
21439	AXLE, GW LITE STEEL 15/13/131 CRMO 148
21440	AXLE, GW LITE STEEL 15/13/140 CRMO 157
22163	SEAL, GW REAR HUB NDS

78851	WS, 29 TR309 SHIM 28/28	
78853	W, 29 TR309 FRNT 28H	1
58922	D RIM, 29 WD PAC ASYM 28H 5°	1
21886	RIM TAPE, TL 30MM 5.5M INSTALED	1
22114	HUB, GW MTN TR3 FRNT 100/15 28	1
22420	SPOKE, SPM SPRINT SP 297MM BLK	14
22422	SPOKE, SPM SPRINT SP 299MM BLK	14
20355	NIPPLE, EXT BLACK BRASS SQ HEAD	28
21986	DECAL, 29 TR309 WHITE	0.5
20007	DECAL, NOT INTENDED FOR RB USE	1
20008	DECAL, REGISTER WHEELS	1
20332	WHEEL RAP HANG TAG	1
20120	BOX, TW DBLE WHL RNLD WIDE29er	0.5
78854	W, 29 TR309 SHIM 28H	1
58922	D RIM, 29 WD PAC ASYM 28H 5°	1
21886	RIM TAPE, TL 30MM 5.5M INSTALED	1
22116	HUB, GW MTN TR3 SHIM 142/12 28	1
22420	SPOKE, SPM SPRINT SP 297MM BLK	14
22424	SPOKE, SPM SPRINT SP 301MM BLK	14
20355	NIPPLE, EXT BLACK BRASS SQ HEAD	28
21986	DECAL, 29 TR309 WHITE	0.5
20007	DECAL, NOT INTENDED FOR RB USE	1
20008	DECAL, REGISTER WHEELS	1
20332	WHEEL RAP HANG TAG	1
20120	BOX, TW DBLE WHL RNLD WIDE29er	0.5
85513	W ACC KIT, MTN ASYM TL FRONT	1
3040	9 X 12 X 4MIL ZIP LOCK BAG	1
20333	REYNOLDS NEW PROD WEBSITE CARD	1
20904	VALVE STEM, AM 45MM LONG	1
85514	W ACC KIT, MTN ASYM TL REAR	1
3040	9 X 12 X 4MIL ZIP LOCK BAG	1
20333	REYNOLDS NEW PROD WEBSITE CARD	1
20904	VALVE STEM, AM 45MM LONG	1

WARNING: The information contained herein is proprietary and confidential to Reynolds Cycling and Reynolds Cycling affiliates. This document is not intended for public distribution or disclosure. This document may be referenced and reproduced for and by Reynolds Cycling and Reynolds Cycling affiliates only.

TR 309 S MOUNTAIN



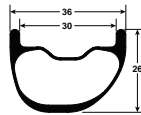
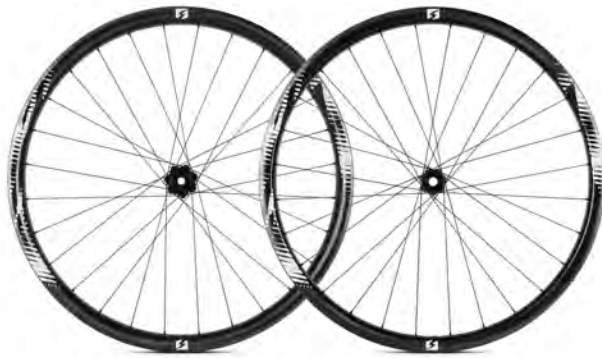
FREEHUB OPTIONS

20783	O-RING, GW DB END CAPS
22099	SPACER, GW, RED 17.5*15*2.1 mm
22162	SPACER, GW REAR AXLE
22122	END CAP, GW DB FRNT 15MM TA
22128	END CAP, GW DB R 12/142 TA
22148	FREEHUB, GW MTN SHIM 6 PAWL
22151	FREEHUB, GW MTN XD 6 PAWL
22519	FREEHUB, GW TR6 MS 6 PAWL
22161	AXLE, GW FRONT TA
22169	AXLE, GW 142 DB REAR 15/12/125 CrMo
21439	AXLE, GW LITE STEEL 15/13/131 CRMO 148
21440	AXLE, GW LITE STEEL 15/13/140 CRMO 157
22163	SEAL, GW REAR HUB NDS

78751	WS, 29 TR309s SHIM 28/28	
78753	W, 29 TR309s FRNT 28H	1
58922	D RIM, 29 WD PAC ASYM 28H 5°	1
21886	RIM TAPE, TL 30MM 5.5M INSTALED	1
22136	HUB, GW MTN CL FRNT 100/15 28H	1
22490	SPOKE, SPM CXDELTA 300MM SP BLK	28
20311	NIPPLE, EXT BLACK ALLOY SQ HEAD	28
21976	DECAL, 29 TR309s GRAY	1
81203	DECAL KIT, TR309s - 5 COLORS	1
20007	DECAL, NOT INTENDED FOR RB USE	1
20008	DECAL, REGISTER WHEELS	1
20332	WHEEL RAP HANG TAG	1
20120	BOX, TW DBLE WHL RNLD WIDE29er	0.5
78754	W, 29 TR309s SHIM 28H	1
58922	D RIM, 29 WD PAC ASYM 28H 5°	1
21886	RIM TAPE, TL 30MM 5.5M INSTALED	1
22138	HUB, GW MTN CL SHIM 142/12 28H	1
22490	SPOKE, SPM CXDELTA 300MM SP BLK	28
20311	NIPPLE, EXT BLACK ALLOY SQ HEAD	28
21976	DECAL, 29 TR309s GRAY	1
81203	DECAL KIT, TR309s - 5 COLORS	1
20007	DECAL, NOT INTENDED FOR RB USE	1
20008	DECAL, REGISTER WHEELS	1
20332	WHEEL RAP HANG TAG	1
20120	BOX, TW DBLE WHL RNLD WIDE29er	0.5
85513	W ACC KIT, MTN ASYM TL FRONT	1
3040	9 X 12 X 4MIL ZIP LOCK BAG	1
20333	REYNOLDS NEW PROD WEBSITE CARD	1
85514	W ACC KIT, MTN ASYM TL REAR	1
3040	9 X 12 X 4MIL ZIP LOCK BAG	1
20333	REYNOLDS NEW PROD WEBSITE CARD	1
20904	VALVE STEM, AM 45MM LONG	1

WARNING: The information contained herein is proprietary and confidential to Reynolds Cycling and Reynolds Cycling affiliates. This document is not intended for public distribution or disclosure. This document may be referenced and reproduced for and by Reynolds Cycling and Reynolds Cycling affiliates only.

TR 367 MOUNTAIN



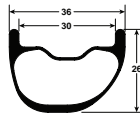
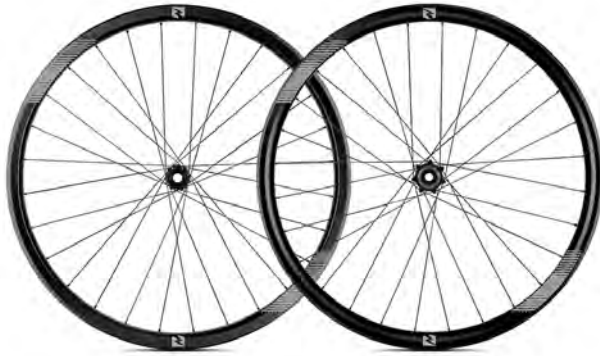
FREEHUB OPTIONS

20783	O-RING, GW DB END CAPS
22099	SPACER, GW, RED 17.5*15*2.1 mm
22162	SPACER, GW REAR AXLE
22122	END CAP, GW DB FRNT 15MM TA
22128	END CAP, GW DB R 12/142 TA
22567	FREEHUB, GW TR3 XD 4 PAWL 3 BEARING
22569	FREEHUB, GW TR3 SPL 4 PAWL 3 BEARING
22572	FREEHUB, GW TR3 MS 4 PAWL 3 BEARING
22161	AXLE, GW FRONT TA
22169	AXLE, GW 142 DB REAR 15/12/125 CrMo
21439	AXLE, GW LITE STEEL 15/13/131 CRMO 148
21440	AXLE, GW LITE STEEL 15/13/140 CRMO 157
22163	SEAL, GW REAR HUB NDS

78826	WS, 27.5 TR367 BST SHIM 28/28	
81260	D RIM, 27.5 PLUS PAC 28H	1
20918	RIM TAPE, TL 22MM 5.5M INSTALED	1
22115	HUB, GW MTN TR3 FRNT 110/15 28	1
22413	SPOKE, SPM SPRINT SP 281MM BLK	28
20355	NIPPLE, EXT BLACK BRASS SQ HEAD	28
21988	DECAL, 27.5 TR367 WHITE	0.5
20007	DECAL, NOT INTENDED FOR RB USE	1
20008	DECAL, REGISTER WHEELS	1
20332	WHEEL RAP HANG TAG	1
20120	BOX, TW DBLE WHL RNLD WIDE29er	0.5
78829	W, 27.5 TR367 BST SHIM 28H	1
81260	D RIM, 27.5 PLUS PAC 28H	1
20918	RIM TAPE, TL 22MM 5.5M INSTALED	1
22118	HUB, GW MTN TR3 SHIM 148/12 28	1
22411	SPOKE, SPM SPRINT SP 279MM BLK	14
22414	SPOKE, SPM SPRINT SP 282MM BLK	14
20355	NIPPLE, EXT BLACK BRASS SQ HEAD	28
21988	DECAL, 27.5 TR367 WHITE	0.5
20007	DECAL, NOT INTENDED FOR RB USE	1
20008	DECAL, REGISTER WHEELS	1
20332	WHEEL RAP HANG TAG	1
20120	BOX, TW DBLE WHL RNLD WIDE29er	0.5
85513	W ACC KIT, MTN ASYM TL FRONT	1
3040	9 X 12 X 4MIL ZIP LOCK BAG	1
20333	REYNOLDS NEW PROD WEBSITE CARD	1
20904	VALVE STEM, AM 45MM LONG	1
85514	W ACC KIT, MTN ASYM TL REAR	1
3040	9 X 12 X 4MIL ZIP LOCK BAG	1
20333	REYNOLDS NEW PROD WEBSITE CARD	1
20904	VALVE STEM, AM 45MM LONG	1

WARNING: The information contained herein is proprietary and confidential to Reynolds Cycling and Reynolds Cycling affiliates. This document is not intended for public distribution or disclosure. This document may be referenced and reproduced for and by Reynolds Cycling and Reynolds Cycling affiliates only.

TR 367 S MOUNTAIN



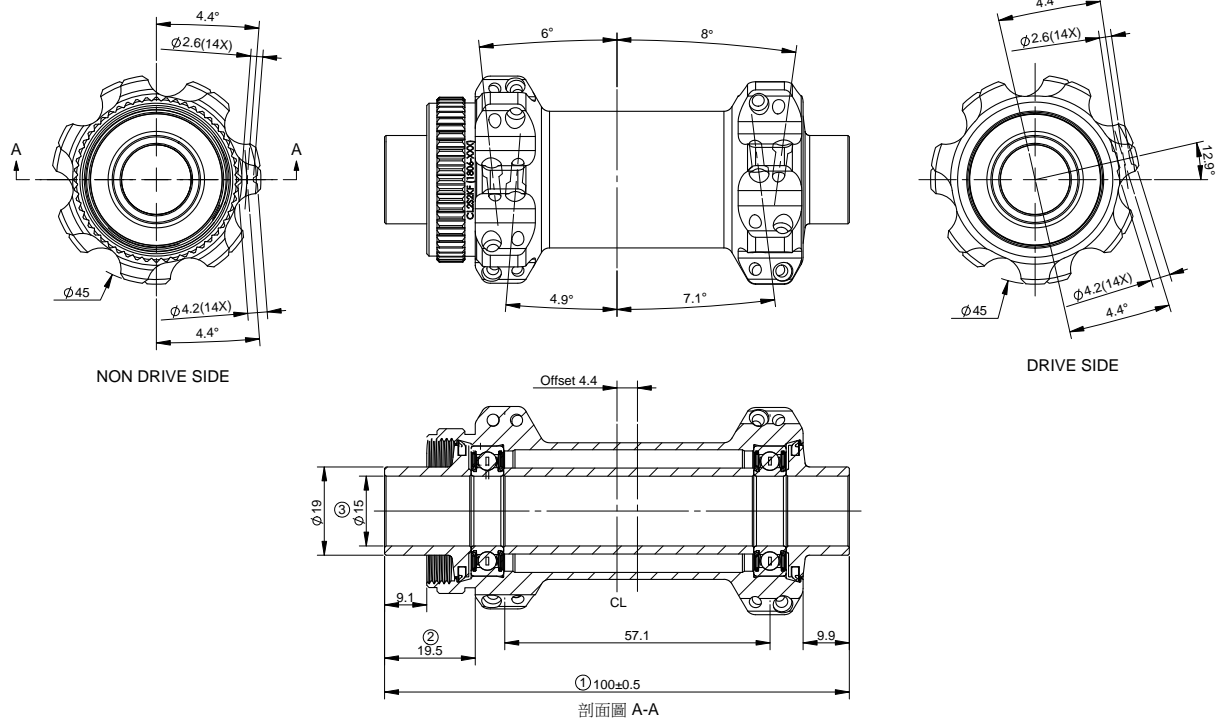
FREEHUB OPTIONS

20783	O-RING, GW DB END CAPS
22099	SPACER, GW, RED 17.5*15*2.1 mm
22162	SPACER, GW REAR AXLE
22122	END CAP, GW DB FRNT 15MM TA
22128	END CAP, GW DB R 12/142 TA
22148	FREEHUB, GW MTN SHIM 6 PAWL
22151	FREEHUB, GW MTN XD 6 PAWL
22519	FREEHUB, GW TR6 MS 6 PAWL
22161	AXLE, GW FRONT TA
22169	AXLE, GW 142 DB REAR 15/12/125 CrMo
21439	AXLE, GW LITE STEEL 15/13/131 CRMO 148
21440	AXLE, GW LITE STEEL 15/13/140 CRMO 157
22163	SEAL, GW REAR HUB NDS

78726	WS, 27.5 TR367s BST SHIM 28/28	
78828	W, 27.5 TR367 BST FRNT 28H	1
81260	D RIM, 27.5 PLUS PAC 28H	1
20918	RIM TAPE, TL 22MM 5.5M INSTALED	1
22115	HUB, GW MTN TR3 FRNT 110/15 28	1
22413	SPOKE, SPM SPRINT SP 281MM BLK	28
20355	NIPPLE, EXT BLACK BRASS SQ HEAD	28
21988	DECAL, 27.5 TR367 WHITE	0.5
20007	DECAL, NOT INTENDED FOR RB USE	1
20008	DECAL, REGISTER WHEELS	1
20332	WHEEL RAP HANG TAG	1
20120	BOX, TW DBLE WHL RNLD WIDE29er	0.5
78829	W, 27.5 TR367 BST SHIM 28H	1
81260	D RIM, 27.5 PLUS PAC 28H	1
20918	RIM TAPE, TL 22MM 5.5M INSTALED	1
22118	HUB, GW MTN TR3 SHIM 148/12 28	1
22411	SPOKE, SPM SPRINT SP 279MM BLK	14
22414	SPOKE, SPM SPRINT SP 282MM BLK	14
20355	NIPPLE, EXT BLACK BRASS SQ HEAD	28
21988	DECAL, 27.5 TR367 WHITE	0.5
20007	DECAL, NOT INTENDED FOR RB USE	1
20008	DECAL, REGISTER WHEELS	1
20332	WHEEL RAP HANG TAG	1
20120	BOX, TW DBLE WHL RNLD WIDE29er	0.5
85513	W ACC KIT, MTN ASYM TL FRONT	1
3040	9 X 12 X 4MIL ZIP LOCK BAG	1
20333	REYNOLDS NEW PROD WEBSITE CARD	1
20904	VALVE STEM, AM 45MM LONG	1
85514	W ACC KIT, MTN ASYM TL REAR	1
3040	9 X 12 X 4MIL ZIP LOCK BAG	1
20333	REYNOLDS NEW PROD WEBSITE CARD	1
20904	VALVE STEM, AM 45MM LONG	1

WARNING: The information contained herein is proprietary and confidential to Reynolds Cycling and Reynolds Cycling affiliates. This document is not intended for public distribution or disclosure. This document may be referenced and reproduced for and by Reynolds Cycling and Reynolds Cycling affiliates only.

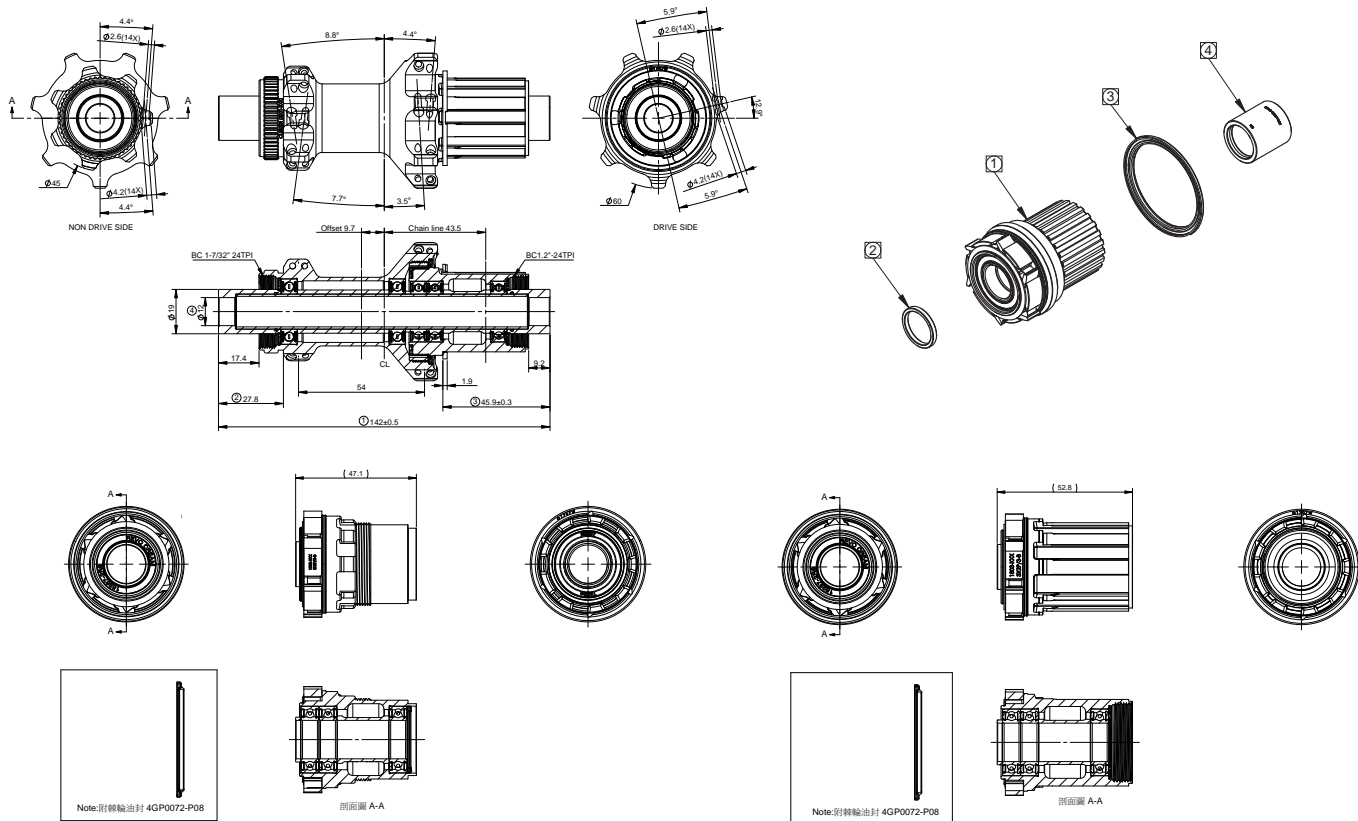
GW MTN CL FRNT 10015 28H



ITEM #	PART #	DESCRIPTION	QTY
1	22136	HUB, GW MTN CL FRNT 10015 28H	1
2	20156	BEARING, 6902, ENDURO	1
3	22161	AXLE, GW FRONT TA	1
4	22122	END CAP, GW DB FRNT 15MM TA	1
5	N/A	See #4	

WARNING: The information contained herein is proprietary and confidential to Reynolds Cycling and Reynolds Cycling affiliates. This document is not intended for public distribution or disclosure. This document may be referenced and reproduced for and by Reynolds Cycling and Reynolds Cycling affiliates only.

GW MTN CL SHIM 14212 28H

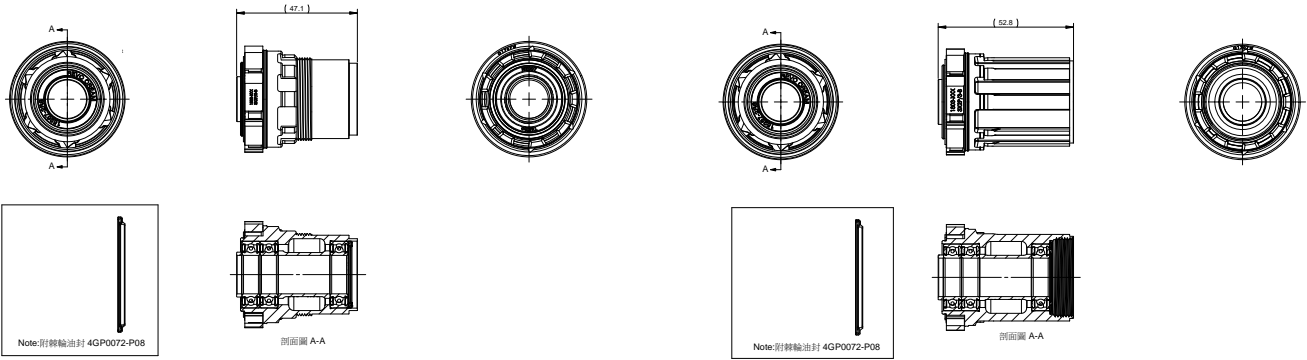
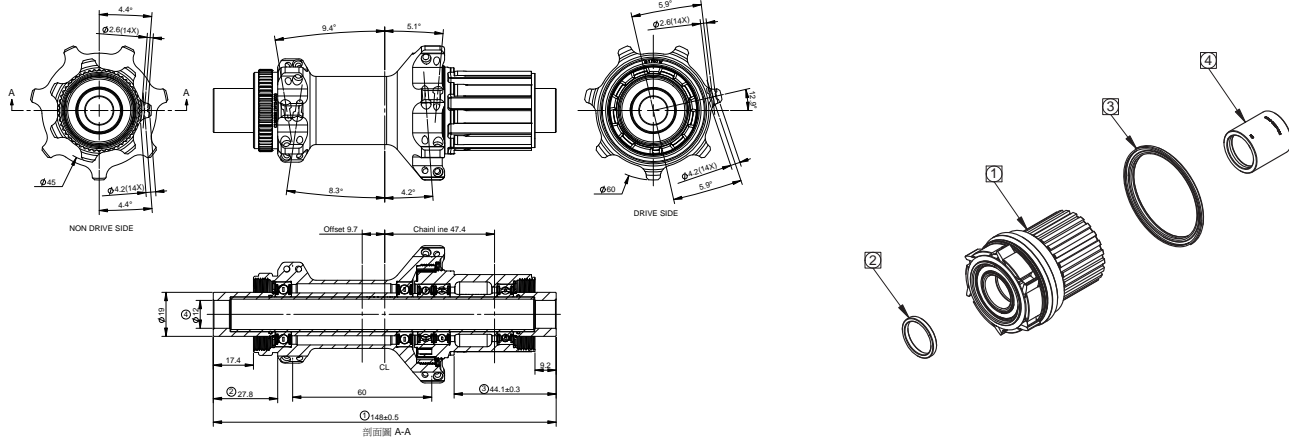


ITEM #	PART #	DESCRIPTION	QTY
1	22138	HUB, GW MTN CL SHIM 14212 28H	
2	20156	BEARING, 6902, ENDURO	2
3	22162	SPACER, GW REAR AXLE	1
4	N/A	RATCHET RING	
5	N/A	Seal Ring	1
6	22169	AXLE, CrMo GW DB REAR 15/12/125 135/142	1
7	22569	FREEHUB, GW TR3 SPL 4 PAWL 3 BEARING	1
8	N/A	Spacer	
9	22128	END CAP, GW DB R 12/142/148/157 TA	1
10	N/A	See 9	

ITEM #	PART #	DESCRIPTION	QTY
1	22148	FREEHUB, GW MTN SHIM 6 PAWL	1
	22151	FREEHUB, GW MTN XD 6 PAWL	1
	22573	FREEHUB, GW TR6 MS 6 PAWL	1
2	20378	BEARING, 15267 15*26*7L	3
3	N/A	BEARING SPACER	1
4	N/A	PAWL SPRING	
5	N/A	PAWL	
6	N/A	SPACER	
7	N/A	SPACER	
8	22099	SPACER, GW, RED 17.5*15*2.1 mm	1
9	N/A	FHB SEAL	
	22138	HUB, GW MTN CL SHIM 14212 28H	
	22139	HUB, GW MTN CL XD 14212 28H	

WARNING: The information contained herein is proprietary and confidential to Reynolds Cycling and Reynolds Cycling affiliates. This document is not intended for public distribution or disclosure. This document may be referenced and reproduced for and by Reynolds Cycling and Reynolds Cycling affiliates only.

GW MTN CL SHIM 14812 28H



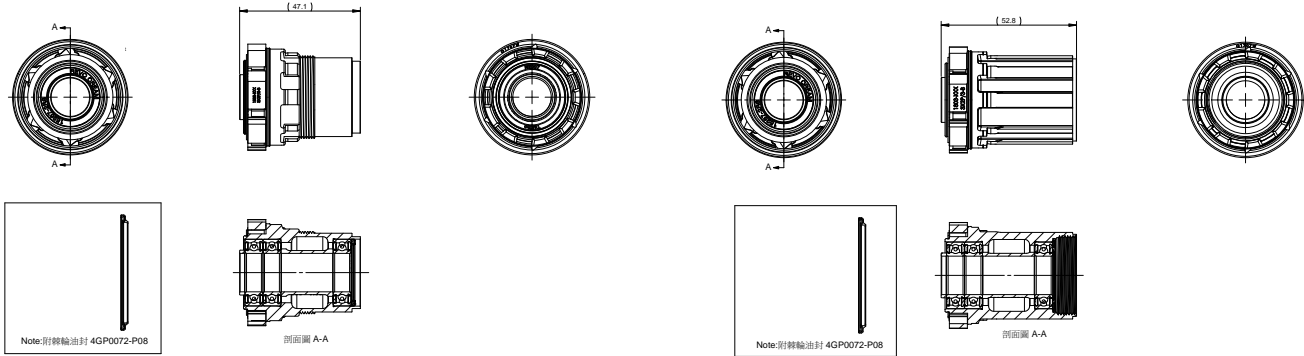
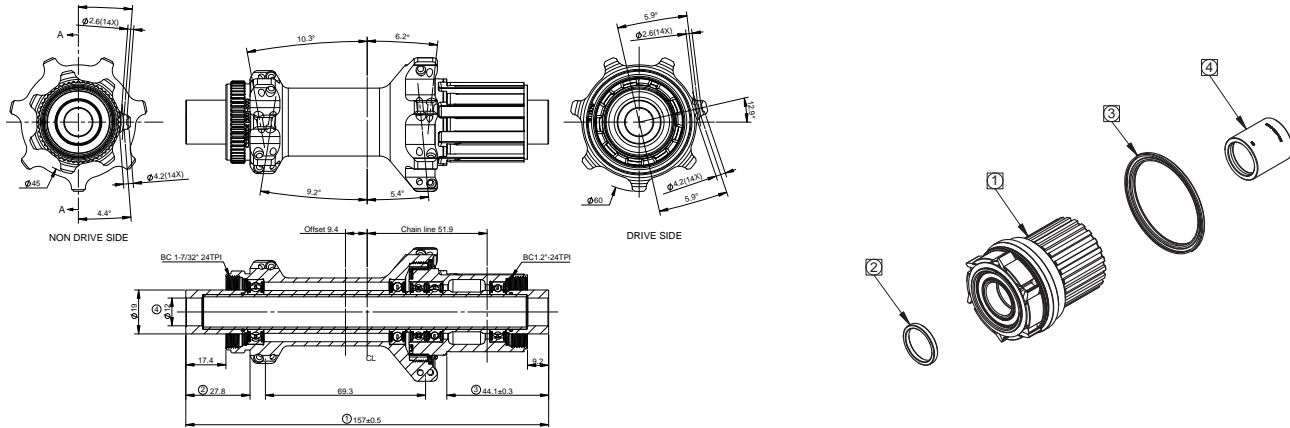
ITEM #	PART #	DESCRIPTION	QTY
1	22138	HUB, GW MTN CL SHIM 14212 28H	
2	20156	BEARING, 6902, ENDURO	2
3	22162	SPACER, GW REAR AXLE	1
4	N/A	RATCHET RING	
5	N/A	Seal Ring	1
6	22169	AXLE, CrMo GW DB REAR 15/12/125 135/142	1
7	22569	FREEHUB, GW TR3 SPL 4 PAWL 3 BEARING	1
8	N/A	Spacer	
9	22128	END CAP, GW DB R 12/142/148/157 TA	1
10	N/A	See 9	

ITEM #	PART #	DESCRIPTION	QTY
1	22148	FREEHUB, GW MTN SHIM 6 PAWL	1
	22151	FREEHUB, GW MTN XD 6 PAWL	1
	22573	FREEHUB, GW TR6 MS 6 PAWL	1
2	20378	BEARING, 15267 15*26*7L	3
3	N/A	BEARING SPACER	1
4	N/A	PAWL SPRING	
5	N/A	PAWL	
6	N/A	SPACER	
7	N/A	SPACER	
8	22099	SPACER, GW, RED 17.5*15*2.1 mm	1
9	N/A	FHB SEAL	

	22140	HUB, GW MTN CL SHIM 14812 28H	
	22141	HUB, GW MTN CL XD 14812 28H	
	22125	HUB, GW TR6 CL MS 14812 28H	

WARNING: The information contained herein is proprietary and confidential to Reynolds Cycling and Reynolds Cycling affiliates. This document is not intended for public distribution or disclosure. This document may be referenced and reproduced for and by Reynolds Cycling and Reynolds Cycling affiliates only.

GW TR6 SHIM 12X157 28H



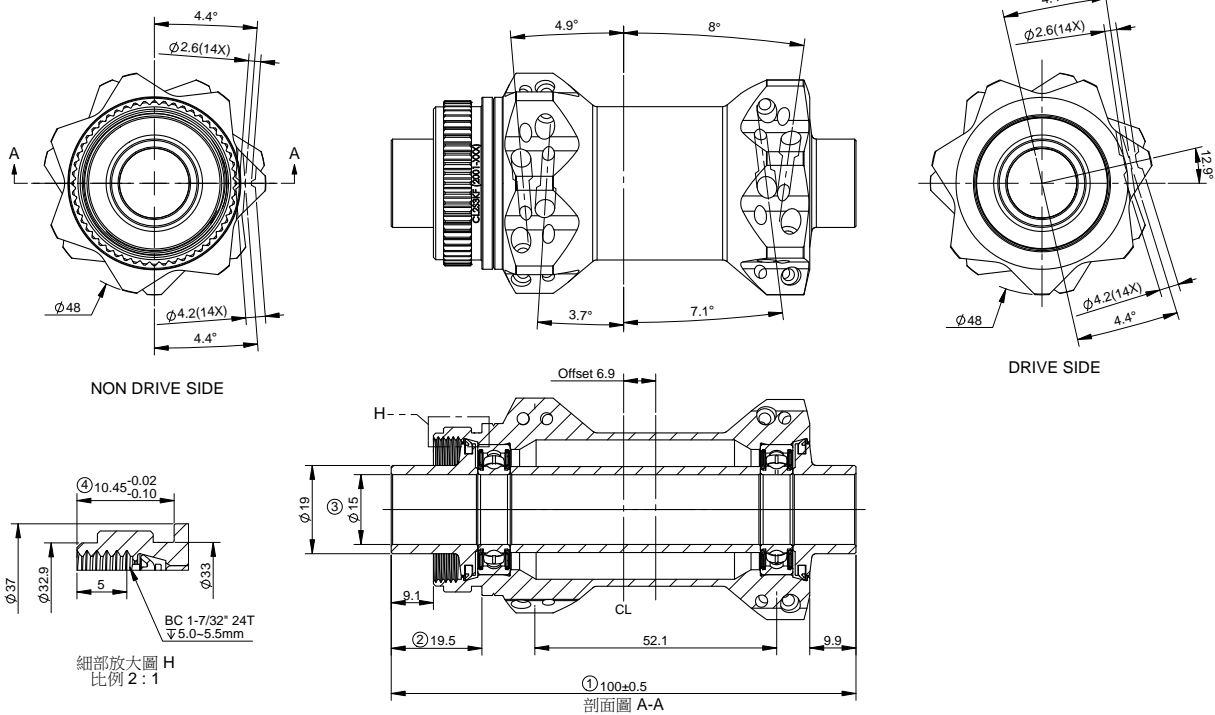
ITEM #	PART #	DESCRIPTION	QTY
1	22131	HUB, GW TR6 SHIM 12X157 28H	
2	20156	BEARING, 6902, ENDURO	2
3	22162	SPACER, GW REAR AXLE	1
4	N/A	RATCHET RING	
5	N/A	Seal Ring	1
6	21440	AXLE, GW LITE STEEL 15/13/140 CRMO 157	1
7	22569	FREEHUB, GW TR3 SPL 4 PAWL 3 BEARING	1
8	N/A	Spacer	
9	22128	END CAP, GW DB R 12/142/148/157 TA	1
10	N/A	See 9	

ITEM #	PART #	DESCRIPTION	QTY
1	22148	FREEHUB, GW MTN SHIM 6 PAWL	1
	22151	FREEHUB, GW MTN XD 6 PAWL	1
	22573	FREEHUB, GW TR6 MS 6 PAWL	1
2	20378	BEARING, 15267 15*26*7L	3
3	N/A	BEARING SPACER	1
4	N/A	PAWL SPRING	
5	N/A	PAWL	
6	N/A	SPACER	
7	N/A	SPACER	
8	22099	SPACER, GW, RED 17.5*15*2.1 mm	1
9	N/A	FHB SEAL	

	22131	HUB, GW TR6 SHIM 12X157 28H	
	22154	HUB, GW TR6 XD 12X157 28H	
	22127	HUB, GW TR6 MS 15712 28H	

WARNING: The information contained herein is proprietary and confidential to Reynolds Cycling and Reynolds Cycling affiliates. This document is not intended for public distribution or disclosure. This document may be referenced and reproduced for and by Reynolds Cycling and Reynolds Cycling affiliates only.

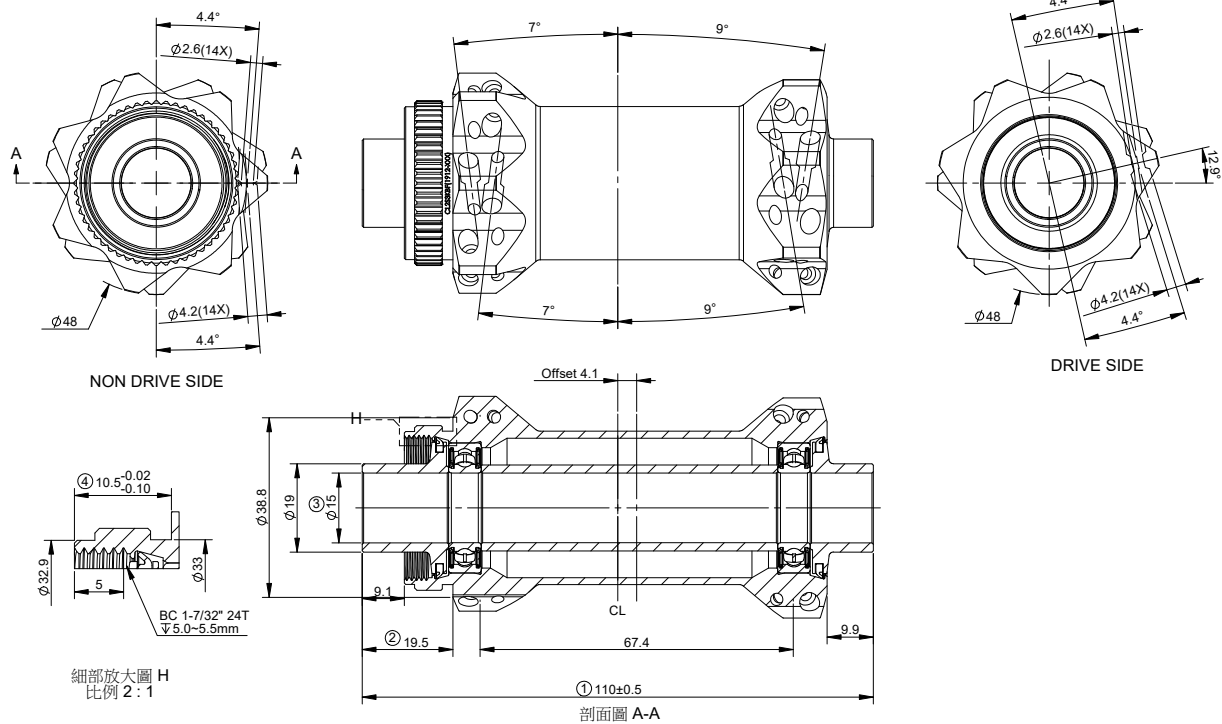
GW MTN TR3 FRNT 10015 28H



ITEM #	PART #	DESCRIPTION	QTY
1	22114	HUB, GW MTN TR3 FRNT 10015 28H	1
2	20156	BEARING, 6902, ENDURO	1
3	22161	AXLE, GW FRONT TA	1
4	22122	END CAP, GW DB FRNT 15MM TA	1
5	N/A	See #4	

WARNING: The information contained herein is proprietary and confidential to Reynolds Cycling and Reynolds Cycling affiliates. This document is not intended for public distribution or disclosure. This document may be referenced and reproduced for and by Reynolds Cycling and Reynolds Cycling affiliates only.

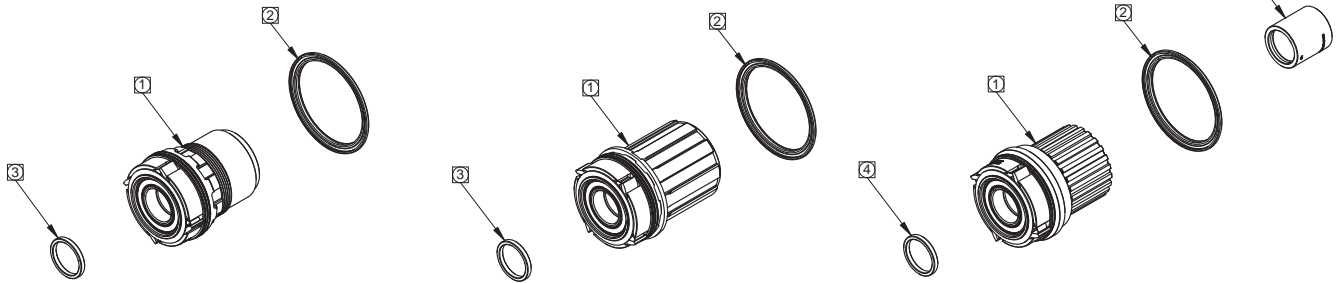
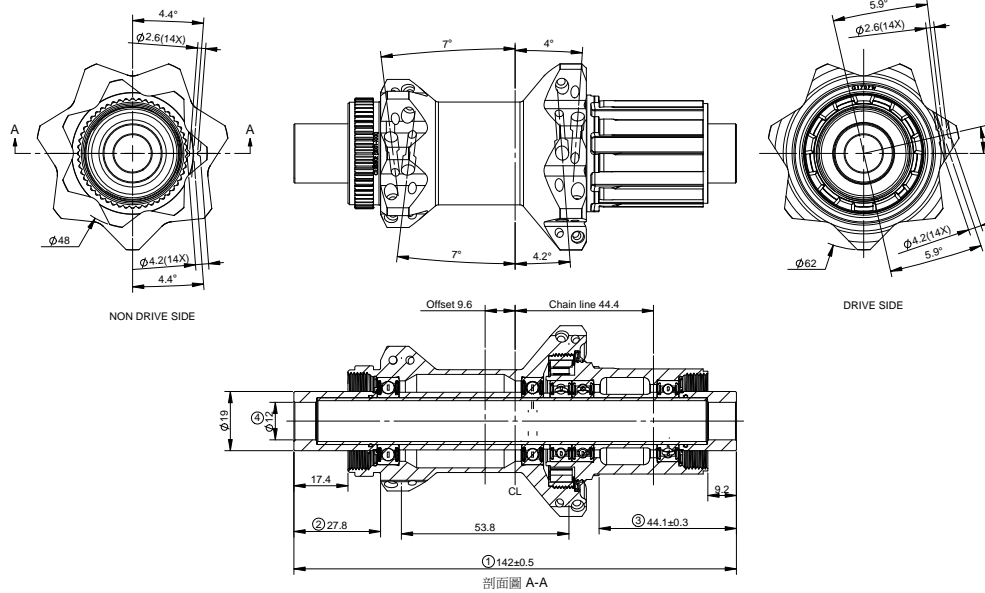
GW MTN TR3 FRNT 11015 28H



ITEM #	PART #	DESCRIPTION	QTY
1	22115	HUB, GW MTN TR3 FRNT 11015 28H	1
2	20156	BEARING, 6902, ENDURO	1
3	22161	AXLE, GW FRONT TA	1
4	22122	END CAP, GW DB FRNT 15MM TA	1
5	N/A	See #4	

WARNING: The information contained herein is proprietary and confidential to Reynolds Cycling and Reynolds Cycling affiliates. This document is not intended for public distribution or disclosure. This document may be referenced and reproduced for and by Reynolds Cycling and Reynolds Cycling affiliates only.

GW MTN TR3 SHIM 14212 28H



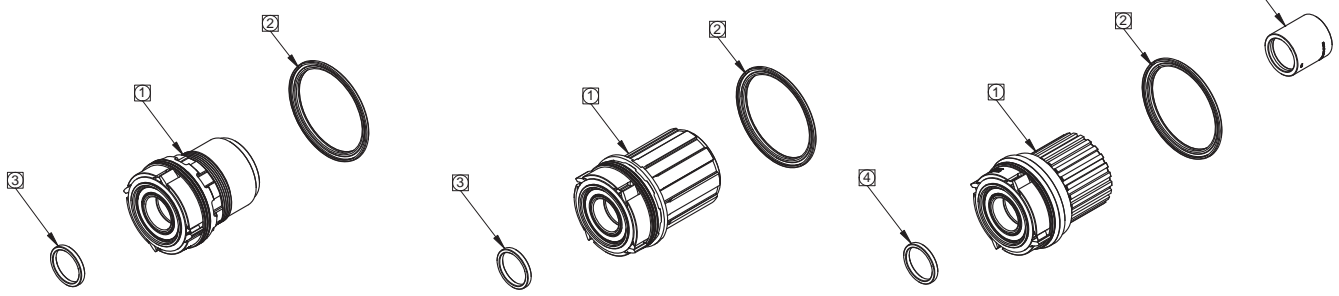
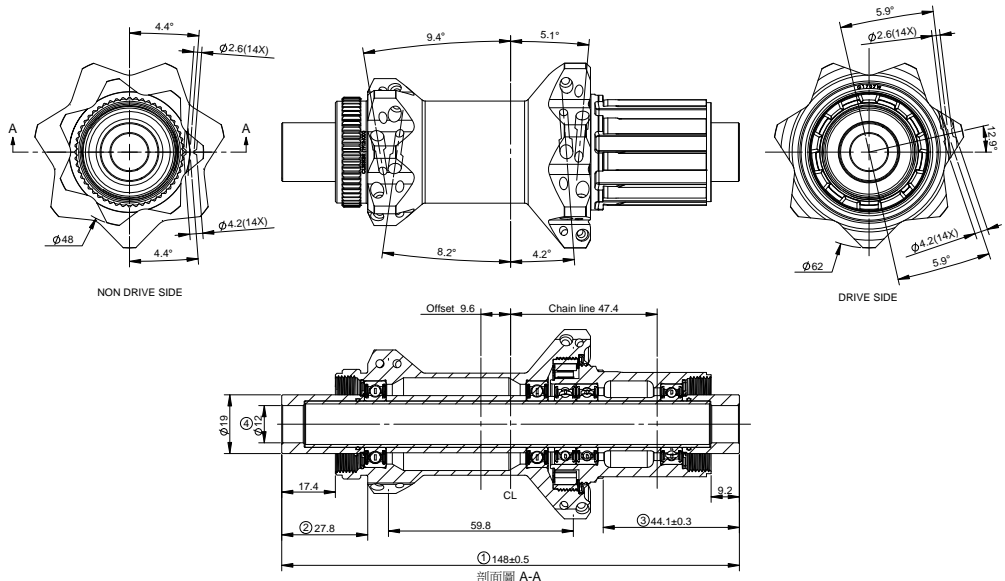
ITEM #	PART #	DESCRIPTION	QTY
1	22116	HUB, GW MTN TR3 SHIM 14212 28H	
2	20156	BEARING, 6902, ENDURO	2
3	22162	SPACER, GW REAR AXLE	1
4	N/A	RATCHET RING	
5	N/A	Seal Ring	1
6	22169	AXLE, CrMo GW DB REAR 15/12/125 135/142	1
7	2099	SPACER, GW, RED 17.5*15*2.1 mm	1
8	22569	FREEHUB, GW TR3 SPL 4 PAWL 3 BEARING	
9	N/A	Spacer	1
10	22128	END CAP, GW DB R 12/142/148/157 TA	
11	N/A	See #10	

ITEM #	PART #	DESCRIPTION	QTY
1	22569	FREEHUB, GW TR3 SPL 4 PAWL 3 BEARING	1
	22570	FREEHUB, GW TR3 XDR 4 PAWL 3 BEARING	1
	22568	FREEHUB, GW TR3 CAMPY 4 PAWL 3 BEARING	1
	423-39079	FREEHUB, GW CAMPY N3W 11-13SPD 4 PAWL 3 BEARING	1
2	N/A	SEAL RING	

	22117	HUB, GW MTN TR3 XD 14212 28H	
	22139	HUB, GW MTN CL XD 14212 28H	

WARNING: The information contained herein is proprietary and confidential to Reynolds Cycling and Reynolds Cycling affiliates. This document is not intended for public distribution or disclosure. This document may be referenced and reproduced for and by Reynolds Cycling and Reynolds Cycling affiliates only.

GW MTN TR3 SHIM 14812 28H



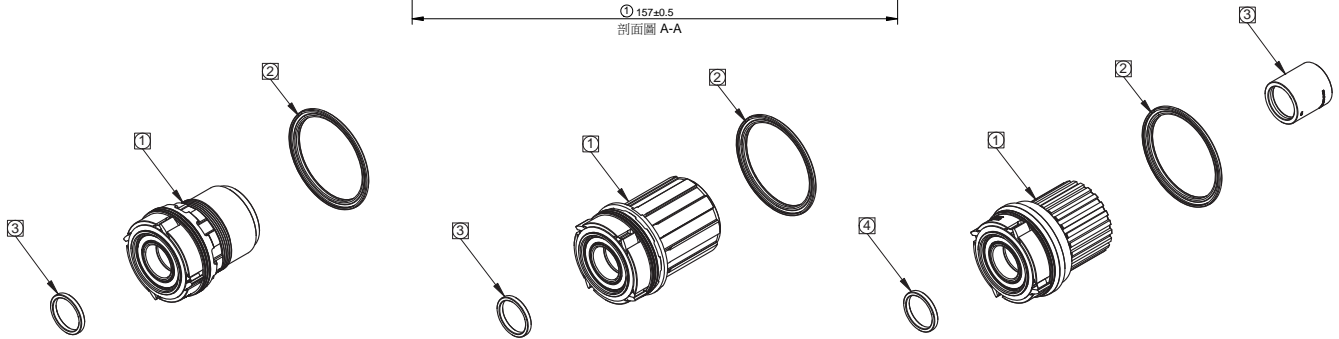
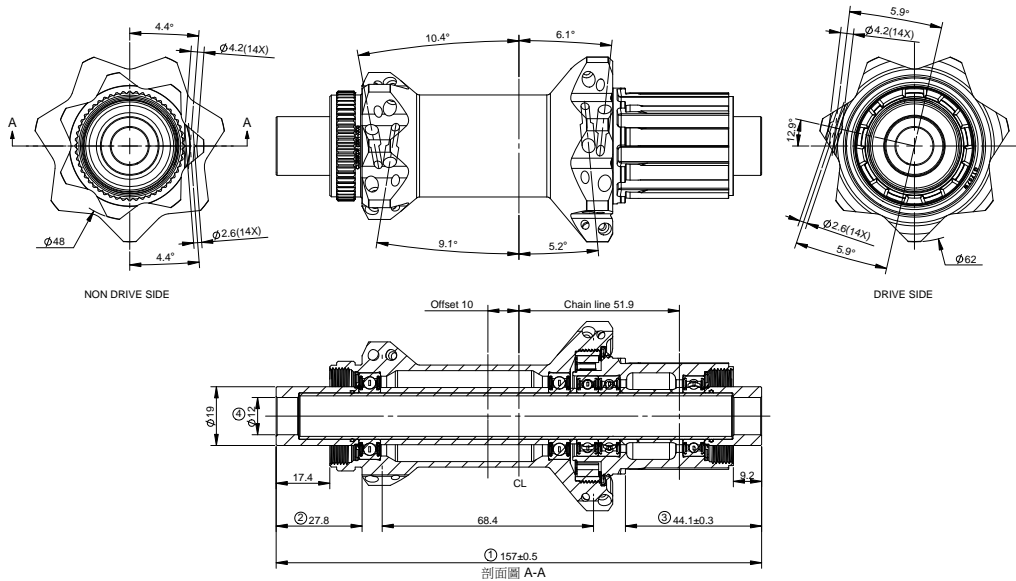
ITEM #	PART #	DESCRIPTION	QTY
1	22118	HUB, GW MTN TR3 SHIM 14812 28H	
2	20156	BEARING, 6902, ENDURO	2
3	22162	SPACER, GW REAR AXLE	1
4	N/A	RATCHET RING	
5	N/A	Seal Ring	1
6	21439	AXLE, GW LITE STEEL 15/13/131 CRMO 148	1
7	2099	SPACER, GW, RED 17.5*15*2.1 mm	1
8	22569	FREEHUB, GW TR3 SPL 4 PAWL 3 BEARING	
9	N/A	Spacer	1
10	22128	END CAP, GW DB R 12/142/148/157 TA	
11	N/A	See #10	

ITEM #	PART #	DESCRIPTION	QTY
1	22569	FREEHUB, GW TR3 SPL 4 PAWL 3 BEARING	1
	22570	FREEHUB, GW TR3 XDR 4 PAWL 3 BEARING	1
	22568	FREEHUB, GW TR3 CAMPY 4 PAWL 3 BEARING	1
	423-39079	FREEHUB, GW CAMPY N3W 11-13SPD 4 PAWL 3 BEARING	1
2	N/A	SEAL RING	

	22117	HUB, GW MTN TR3 XD 14212 28H	
	22139	HUB, GW MTN CL XD 14212 28H	

WARNING: The information contained herein is proprietary and confidential to Reynolds Cycling and Reynolds Cycling affiliates. This document is not intended for public distribution or disclosure. This document may be referenced and reproduced for and by Reynolds Cycling and Reynolds Cycling affiliates only.

GW TR3 SHIM 12X157 28H



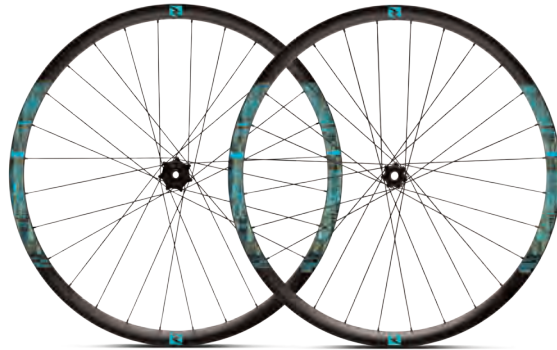
ITEM #	PART #	DESCRIPTION	QTY
1	22156	HUB, GW TR3 SHIM 12X157 28H	
2	20156	BEARING, 6902, ENDURO	2
3	22162	SPACER, GW REAR AXLE	1
4	N/A	RATCHET RING	
5	N/A	Seal Ring	1
6	21440	AXLE, GW LITE STEEL 15/13/140 CRMO 157	1
7	22569	FREEHUB, GW TR3 SPL 4 PAWL 3 BEARING	1
8	N/A	Spacer	
9	22128	END CAP, GW DB R 12/142/148/157 TA	1
10	N/A	See 9	

ITEM #	PART #	DESCRIPTION	QTY
1	22569	FREEHUB, GW TR3 SPL 4 PAWL 3 BEARING	1
	22570	FREEHUB, GW TR3 XDR 4 PAWL 3 BEARING	1
	22568	FREEHUB, GW TR3 CAMPY 4 PAWL 3 BEARING	1
2	423-39079	FREEHUB, GW CAMPY N3W 11-13SPD 4 PAWL 3 BEARING	1
	N/A	SEAL RING	

	22117	HUB, GW MTN TR3 XD 14212 28H	
	22139	HUB, GW MTN CL XD 14212 28H	

WARNING: The information contained herein is proprietary and confidential to Reynolds Cycling and Reynolds Cycling affiliates. This document is not intended for public distribution or disclosure. This document may be referenced and reproduced for and by Reynolds Cycling and Reynolds Cycling affiliates only.

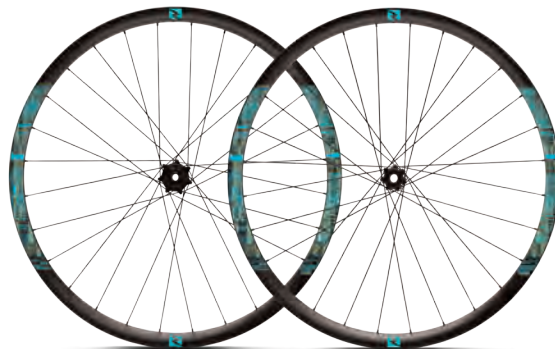
TRE MOUNTAIN WHEELS



TR 307 E



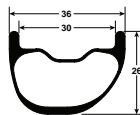
TR 309 E



TR 367 E

WARNING: The information contained herein is proprietary and confidential to Reynolds Cycling and Reynolds Cycling affiliates. This document is not intended for public distribution or disclosure. This document may be referenced and reproduced for and by Reynolds Cycling and Reynolds Cycling affiliates only.

TR 307 E MOUNTAIN



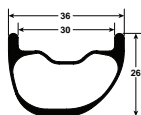
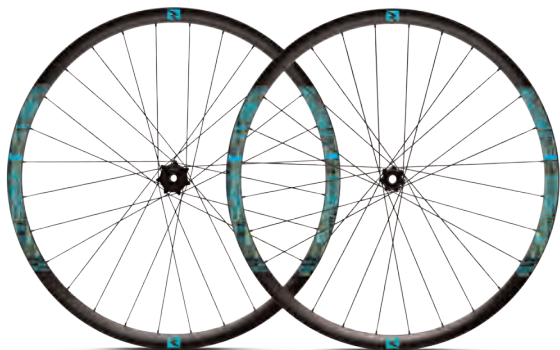
FREEHUB OPTIONS

20783	O-RING, GW DB END CAPS
22099	SPACER, GW, RED 17.5*15*2.1 mm
22122	END CAP, GW DB FRNT 15MM TA
22169	AXLE, CrMo GW DB REAR 15/12/13
22176	AXLE GW 157SBST 15/12/140 CrMo
22152	FREEHUB, GW TRe SHIM 6 PAWL
22153	FREEHUB, GW TRe XD 6 PAWL
22520	FREEHUB, GW TRe MS 6 PAWL
22162	SPACER, GW REAR AXLE
22163	SEAL, GW REAR HUB NDS

78901	WS, 27.5 TR307e 148 SHIM 32/32	
78903	W, 27.5 TR307e 110 FRNT 32H	1
58904	D RIM, 27.5 WD PAC ASYM 32H 5°	1
21886	RIM TAPE, TL 30MM 5.5M INSTALED	1
22170	HUB, GW MTN TRe FRNT 110/15 32	1
22458	SPOKE, SPM E-LITE JB 270MM BLK	32
20355	NIPPLE, EXT BLACK BRASS SQ HEAD	32
21990	DECAL, 27.5 TR307e GRAY	1
20007	DECAL, NOT INTENDED FOR RB USE	1
20008	DECAL, REGISTER WHEELS	1
20332	WHEEL RAP HANG TAG	1
20120	BOX, TW DBLE WHL RNLD WIDE29er	0.5
78904	W, 27.5 TR307e 148 SHIM 32H	1
58904	D RIM, 27.5 WD PAC ASYM 32H 5°	1
21886	RIM TAPE, TL 30MM 5.5M INSTALED	1
22172	HUB, GW MTN TRe SHIM 148/12 32	1
22458	SPOKE, SPM E-LITE JB 270MM BL	16
22459	SPOKE, SPM E-LITE JB 271MM BL	16
20355	NIPPLE, EXT BLACK BRASS SQ HEAD	32
21990	DECAL, 27.5 TR307e GRAY	1
20007	DECAL, NOT INTENDED FOR RB USE	1
20008	DECAL, REGISTER WHEELS	1
20332	WHEEL RAP HANG TAG	1
20120	BOX, TW DBLE WHL RNLD WIDE29er	0.5
85513	W ACC KIT, MTN ASYM TL FRONT	1
3040	9 X 12 X 4MIL ZIP LOCK BAG	1
20333	REYNOLDS NEW PROD WEBSITE CARD	1
20904	VALVE STEM, AM 45MM LONG	1
85514	W ACC KIT, MTN ASYM TL REAR	1
3040	9 X 12 X 4MIL ZIP LOCK BAG	1
20333	REYNOLDS NEW PROD WEBSITE CARD	1
20904	VALVE STEM, AM 45MM LONG	1

WARNING: The information contained herein is proprietary and confidential to Reynolds Cycling and Reynolds Cycling affiliates. This document is not intended for public distribution or disclosure. This document may be referenced and reproduced for and by Reynolds Cycling and Reynolds Cycling affiliates only.

TR 307 E MOUNTAIN BOOST + 157



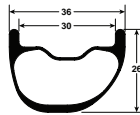
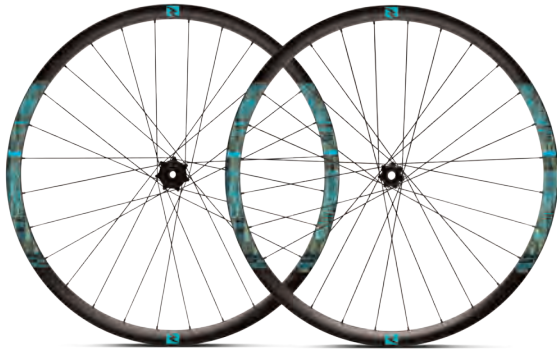
FREEHUB OPTIONS

20783	O-RING, GW DB END CAPS
22099	SPACER, GW, RED 17.5*15*2.1 mm
22122	END CAP, GW DB FRNT 15MM TA
22169	AXLE, CrMo GW DB REAR 15/12/13
22176	AXLE GW 157SBST 15/12/140 CrMo
22152	FREEHUB, GW TRe SHIM 6 PAWL
22153	FREEHUB, GW TRe XD 6 PAWL
22520	FREEHUB, GW TRe MS 6 PAWL
22162	SPACER, GW REAR AXLE
22163	SEAL, GW REAR HUB NDS

78906	WS, 27.5 TR307e 157 SHIM 32/32	
78903	W, 27.5 TR307e 110 FRNT 32H	1.00
57904	D RIM, 27.5 WD PAC ASYM 32H 5°	1.00
20355	NIPPLE,EXT BLACK BRASS SQ HEAD	32.00
21886	RIM TAPE,TL 30MM 5.5M INSTALED	1.00
21990	DECAL, 27.5 TR307e GRAY	1.00
22170	HUB, GW MTN TRe FRNT 110/15 32	1.00
22458	SPOKE, SPM E-LITE JB 270MM BLK	32.00
85513	W ACC KIT, MTN ASYM TL FRONT	1.00
78909	W, 27.5 TR307e 157 SHIM 32H	
57904	D RIM, 27.5 WD PAC ASYM 32H 5°	1.00
20355	NIPPLE,EXT BLACK BRASS SQ HEAD	32.00
21886	RIM TAPE,TL 30MM 5.5M INSTALED	1.00
21990	DECAL, 27.5 TR307e GRAY	1.00
22174	HUB, GW MTN TRe SHIM 157/12 32	1.00
22458	SPOKE, SPM E-LITE JB 270MM BLK	32.00
85514	W ACC KIT, MTN ASYM TL REAR	1.00
78907	WS, 27.5 TR307e 157 XD 32/32	
78903	W, 27.5 TR307e 110 FRNT 32H	1.00
78910	W, 27.5 TR307e 157 XD 32H	1.00
57904	D RIM, 27.5 WD PAC ASYM 32H 5°	1.00
20355	NIPPLE,EXT BLACK BRASS SQ HEAD	32.00
21886	RIM TAPE,TL 30MM 5.5M INSTALED	1.00
21990	DECAL, 27.5 TR307e GRAY	1.00
22175	HUB, GW MTN TRe XD 157/12 32	1.00
22458	SPOKE, SPM E-LITE JB 270MM BLK	32.00
85514	W ACC KIT, MTN ASYM TL REAR	1.00

WARNING: The information contained herein is proprietary and confidential to Reynolds Cycling and Reynolds Cycling affiliates. This document is not intended for public distribution or disclosure. This document may be referenced and reproduced for and by Reynolds Cycling and Reynolds Cycling affiliates only.

TR 309 E MOUNTAIN



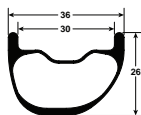
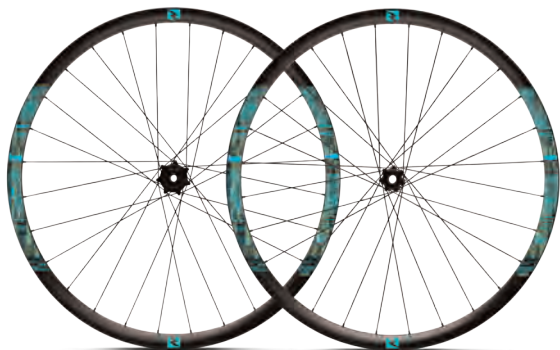
FREEHUB OPTIONS

20783	O-RING, GW DB END CAPS
22099	SPACER, GW, RED 17.5*15*2.1 mm
22122	END CAP, GW DB FRNT 15MM TA
22169	AXLE, CrMo GW DB REAR 15/12/13
22176	AXLE GW 157SBST 15/12/140 CrMo
22152	FREEHUB, GW TRe SHIM 6 PAWL
22153	FREEHUB, GW TRe XD 6 PAWL
22520	FREEHUB, GW TRe MS 6 PAWL
22162	SPACER, GW REAR AXLE
22163	SEAL, GW REAR HUB NDS

78951	WS, 29 TR309e 148 SHIM 32/32	
78953	W, 29 TR309e 110 FRNT 32H	1
58924	D RIM, 29 WD PAC ASYM 32H 5°	1
21886	RIM TAPE, TL 30MM 5.5M INSTALED	1
22170	HUB, GW MTN TRe FRNT 110/15 32	1
22473	SPOKE, SPM E-LITE JB 290MM BL	32
20355	NIPPLE, EXT BLACK BRASS SQ HEAD	32
21991	DECAL, 29 TR309e GRAY	1
20007	DECAL, NOT INTENDED FOR RB USE	1
20008	DECAL, REGISTER WHEELS	1
20332	WHEEL RAP HANG TAG	1
20120	BOX, TW DBLE WHL RNLD WIDE29er	0.5
78954	W, 29 TR309e 148 SHIM 32H	1
58924	D RIM, 29 WD PAC ASYM 32H 5°	1
21886	RIM TAPE, TL 30MM 5.5M INSTALED	1
22172	HUB, GW MTN TRe SHIM 148/12 32	1
22473	SPOKE, SPM E-LITE JB 290MM BL	32
20355	NIPPLE, EXT BLACK BRASS SQ HEAD	32
21991	DECAL, 29 TR309e GRAY	1
20007	DECAL, NOT INTENDED FOR RB USE	1
20008	DECAL, REGISTER WHEELS	1
20332	WHEEL RAP HANG TAG	1
20120	BOX, TW DBLE WHL RNLD WIDE29er	0.5
85513	W ACC KIT, MTN ASYM TL FRONT	1
3040	9 X 12 X 4MIL ZIP LOCK BAG	1
20333	REYNOLDS NEW PROD WEBSITE CARD	1
20904	VALVE STEM, AM 45MM LONG	1
85514	W ACC KIT, MTN ASYM TL REAR	1
3040	9 X 12 X 4MIL ZIP LOCK BAG	1
20333	REYNOLDS NEW PROD WEBSITE CARD	1
20904	VALVE STEM, AM 45MM LONG	1

WARNING: The information contained herein is proprietary and confidential to Reynolds Cycling and Reynolds Cycling affiliates. This document is not intended for public distribution or disclosure. This document may be referenced and reproduced for and by Reynolds Cycling and Reynolds Cycling affiliates only.

TR 309 E MOUNTAIN BOOST + 157



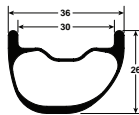
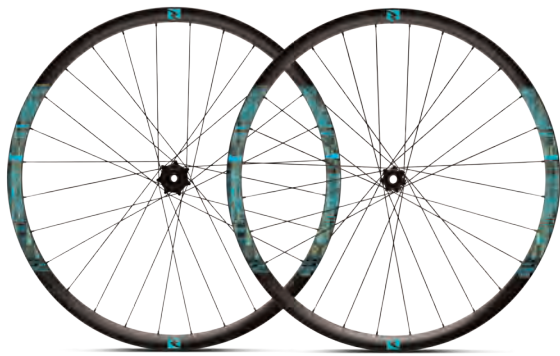
FREEHUB OPTIONS

20783	O-RING, GW DB END CAPS
22099	SPACER, GW, RED 17.5*15*2.1 mm
22122	END CAP, GW DB FRNT 15MM TA
22169	AXLE, CrMo GW DB REAR 15/12/13
22176	AXLE GW 157SBST 15/12/140 CrMo
22152	FREEHUB, GW TRe SHIM 6 PAWL
22153	FREEHUB, GW TRe XD 6 PAWL
22520	FREEHUB, GW TRe MS 6 PAWL
22162	SPACER, GW REAR AXLE
22163	SEAL, GW REAR HUB NDS

78956	WS, 29 TR309e 157 SHIM 32/32	
78953	W, 29 TR309e 110 FRNT 32H	1.00
57924	D RIM, 29 WD PAC ASYM 32H 5°	1.00
20355	NIPPLE,EXT BLACK BRASS SQ HEAD	32.00
21886	RIM TAPE,TL 30MM 5.5M INSTALED	1.00
21991	DECAL, 29 TR309e GRAY	1.00
22170	HUB, GW MTN TRe FRNT 110/15 32	1.00
22473	SPOKE, SPM E-LITE JB 290MM BLK	32.00
85513	W ACC KIT, MTN ASYM TL FRONT	1.00
78959	W, 29 TR309e 157 SHIM 32H	1.00
57924	D RIM, 29 WD PAC ASYM 32H 5°	1.00
20355	NIPPLE,EXT BLACK BRASS SQ HEAD	32.00
21886	RIM TAPE,TL 30MM 5.5M INSTALED	1.00
21991	DECAL, 29 TR309e GRAY	1.00
22174	HUB, GW MTN TRe SHIM 157/12 32	1.00
22473	SPOKE, SPM E-LITE JB 290MM BLK	16.00
22474	SPOKE, SPM E-LITE JB 291MM BLK	16.00
85514	W ACC KIT, MTN ASYM TL REAR	1.00
78957	WS, 29 TR309e 157 XD 32/32	
78953	W, 29 TR309e 110 FRNT 32H	1.00
78960	W, 29 TR309e 157 XD 32H	1.00
57924	D RIM, 29 WD PAC ASYM 32H 5°	1.00
20355	NIPPLE,EXT BLACK BRASS SQ HEAD	32.00
21886	RIM TAPE,TL 30MM 5.5M INSTALED	1.00
21991	DECAL, 29 TR309e GRAY	1.00
22175	HUB, GW MTN TRe XD 157/12 32	1.00
22473	SPOKE, SPM E-LITE JB 290MM BLK	16.00
22474	SPOKE, SPM E-LITE JB 291MM BLK	16.00
85514	W ACC KIT, MTN ASYM TL REAR	1.00

WARNING: The information contained herein is proprietary and confidential to Reynolds Cycling and Reynolds Cycling affiliates. This document is not intended for public distribution or disclosure. This document may be referenced and reproduced for and by Reynolds Cycling and Reynolds Cycling affiliates only.

TR 367 E MOUNTAIN



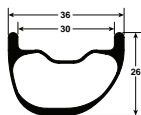
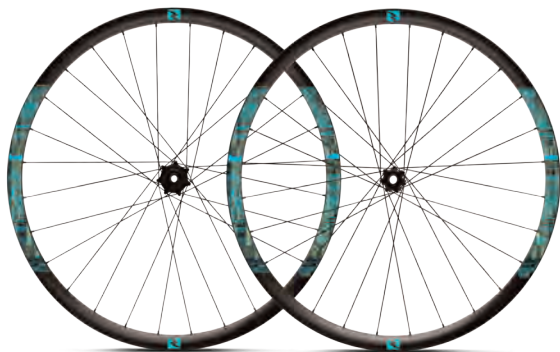
FREEHUB OPTIONS

20783	O-RING, GW DB END CAPS
22099	SPACER, GW, RED 17.5*15*2.1 mm
22122	END CAP, GW DB FRNT 15MM TA
22169	AXLE, CrMo GW DB REAR 15/12/13
22176	AXLE GW 157SBST 15/12/140 CrMo
22152	FREEHUB, GW TRe SHIM 6 PAWL
22153	FREEHUB, GW TRe XD 6 PAWL
22520	FREEHUB, GW TRe MS 6 PAWL
22162	SPACER, GW REAR AXLE
22163	SEAL, GW REAR HUB NDS

78921	WS, 27.5 TR367e 148 SHIM 32/32	
78923	W, 27.5 TR367e 110 FRNT 32H	1
81280	D RIM, 27.5 PLUS PAC 32H	1
20918	RIM TAPE, TL 22MM 5.5M INSTALED	1
22170	HUB, GW MTN TRe FRNT 110/15 32	1
22458	SPOKE, SPM E-LITE JB 270MM BL	32
20355	NIPPLE, EXT BLACK BRASS SQ HEAD	32
21992	DECAL, 27.5 TR367e GRAY	1
20007	DECAL, NOT INTENDED FOR RB USE	1
20008	DECAL, REGISTER WHEELS	1
20332	WHEEL RAP HANG TAG	1
20120	BOX, TW DBLE WHL RNLD WIDE29er	0.5
78924	W, 27.5 TR367e 148 SHIM 32H	1
81280	D RIM, 27.5 PLUS PAC 32H	1
20918	RIM TAPE, TL 22MM 5.5M INSTALED	1
22172	HUB, GW MTN TRe SHIM 148/12 32	1
22456	SPOKE, SPM E-LITE JB 268MM BL	16
22458	SPOKE, SPM E-LITE JB 270MM BL	16
20355	NIPPLE, EXT BLACK BRASS SQ HEAD	32
21992	DECAL, 27.5 TR367e GRAY	1
20007	DECAL, NOT INTENDED FOR RB USE	1
20008	DECAL, REGISTER WHEELS	1
20332	WHEEL RAP HANG TAG	1
20120	BOX, TW DBLE WHL RNLD WIDE29er	0.5
85513	W ACC KIT, MTN ASYM TL FRONT	1
3040	9 X 12 X 4MIL ZIP LOCK BAG	1
20333	REYNOLDS NEW PROD WEBSITE CARD	1
20904	VALVE STEM, AM 45MM LONG	1
85514	W ACC KIT, MTN ASYM TL REAR	1
3040	9 X 12 X 4MIL ZIP LOCK BAG	1
20333	REYNOLDS NEW PROD WEBSITE CARD	1
20904	VALVE STEM, AM 45MM LONG	1

WARNING: The information contained herein is proprietary and confidential to Reynolds Cycling and Reynolds Cycling affiliates. This document is not intended for public distribution or disclosure. This document may be referenced and reproduced for and by Reynolds Cycling and Reynolds Cycling affiliates only.

TR 367 E MOUNTAIN BOOST + 157



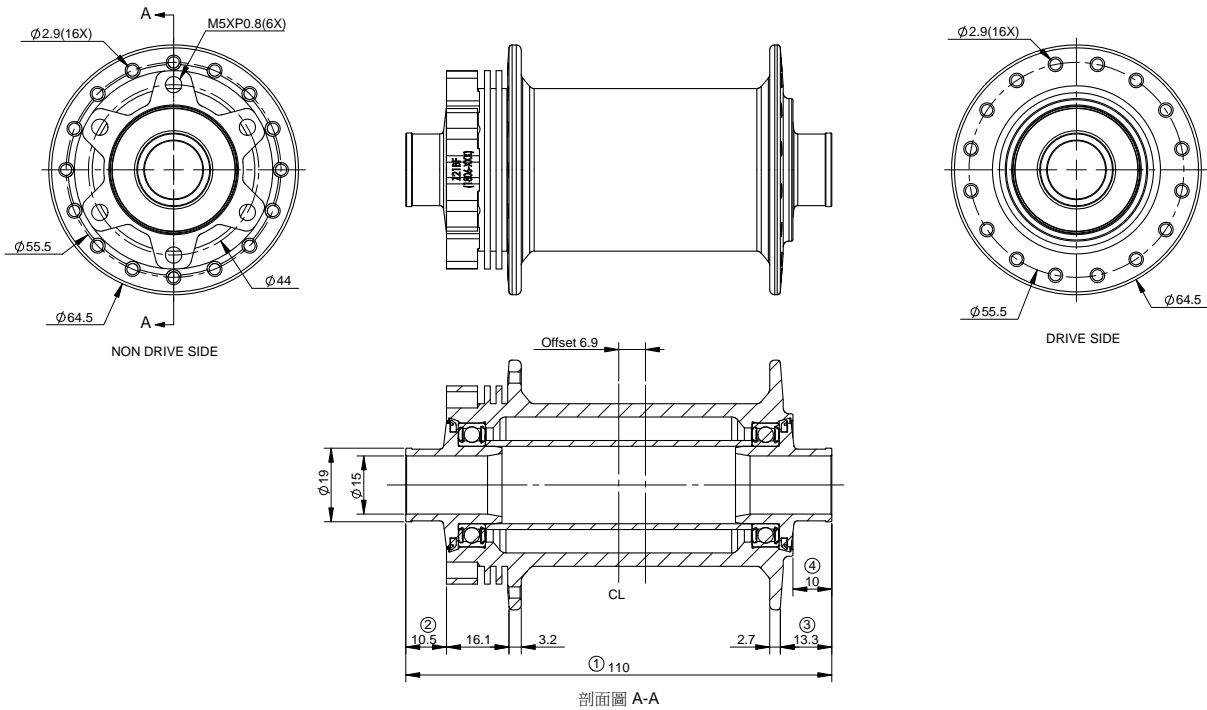
FREEHUB OPTIONS

20783	O-RING, GW DB END CAPS
22099	SPACER, GW, RED 17.5*15*2.1 mm
22122	END CAP, GW DB FRNT 15MM TA
22169	AXLE, CrMo GW DB REAR 15/12/13
22176	AXLE GW 157SBST 15/12/140 CrMo
22152	FREEHUB, GW TRe SHIM 6 PAWL
22153	FREEHUB, GW TRe XD 6 PAWL
22520	FREEHUB, GW TRe MS 6 PAWL
22162	SPACER, GW REAR AXLE
22163	SEAL, GW REAR HUB NDS

78926	WS, 27.5 TR367e 157 SHIM 32/32	
78923	W, 27.5 TR367e 110 FRNT 32H	1.00
81280	D RIM, 27.5 PLUS PAC 32H	1.00
20355	NIPPLE,EXT BLACK BRASS SQ HEAD	32.00
20918	RIM TAPE,TL 22MM 5.5M INSTALED	1.00
21992	DECAL, 27.5 TR367e GRAY	1.00
22170	HUB, GW MTN TRe FRNT 110/15 32	1.00
22458	SPOKE, SPM E-LITE JB 270MM BLK	32.00
85513	W ACC KIT, MTN ASYM TL FRONT	1.00
78929	W, 27.5 TR367e 157 SHIM 32H	
81280	D RIM, 27.5 PLUS PAC 32H	1.00
20355	NIPPLE,EXT BLACK BRASS SQ HEAD	32.00
20918	RIM TAPE,TL 22MM 5.5M INSTALED	1.00
21992	DECAL, 27.5 TR367e GRAY	1.00
22174	HUB, GW MTN TRe SHIM 157/12 32	1.00
22457	SPOKE, SPM E-LITE JB 269MM BLK	16.00
22458	SPOKE, SPM E-LITE JB 270MM BLK	16.00
85514	W ACC KIT, MTN ASYM TL REAR	1.00
78927	WS, 27.5 TR367e 157 XD 32/32	
78923	W, 27.5 TR367e 110 FRNT 32H	1.00
78930	W, 27.5 TR367e 157 XD 32H	1.00
81280	D RIM, 27.5 PLUS PAC 32H	1.00
20355	NIPPLE,EXT BLACK BRASS SQ HEAD	32.00
20918	RIM TAPE,TL 22MM 5.5M INSTALED	1.00
21992	DECAL, 27.5 TR367e GRAY	1.00
22175	HUB, GW MTN TRe XD 157/12 32	1.00
22457	SPOKE, SPM E-LITE JB 269MM BLK	16.00
22458	SPOKE, SPM E-LITE JB 270MM BLK	16.00
85514	W ACC KIT, MTN ASYM TL REAR	1.00

WARNING: The information contained herein is proprietary and confidential to Reynolds Cycling and Reynolds Cycling affiliates. This document is not intended for public distribution or disclosure. This document may be referenced and reproduced for and by Reynolds Cycling and Reynolds Cycling affiliates only.

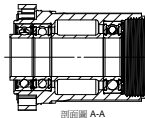
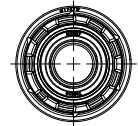
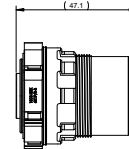
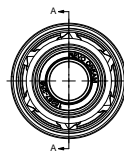
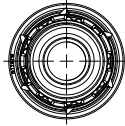
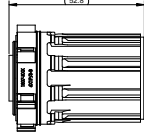
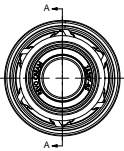
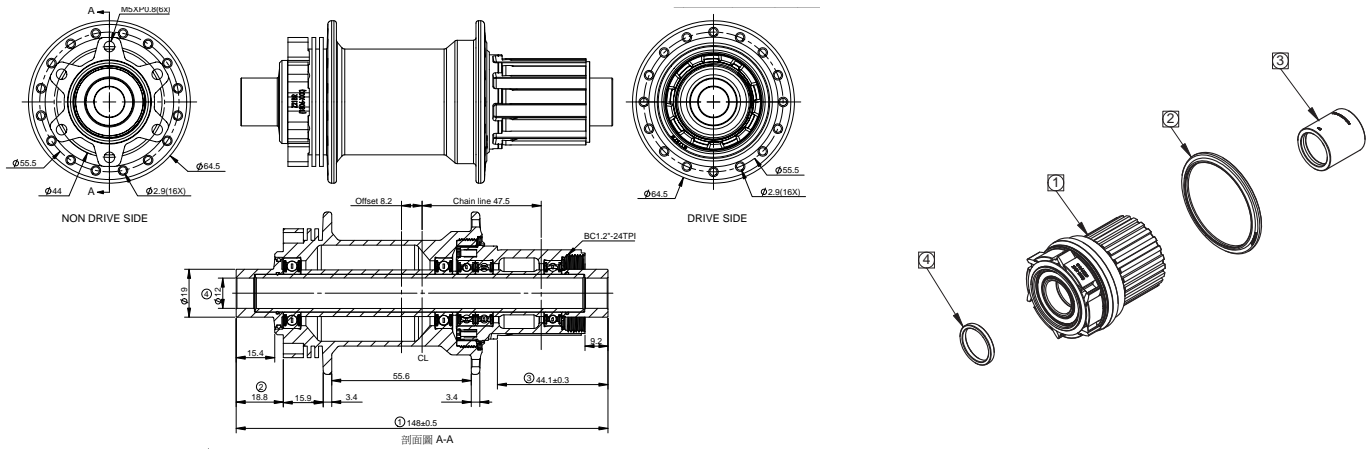
GW MTN TRE FRNT 11015 32H



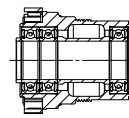
ITEM #	PART #	DESCRIPTION	QTY
1	22114	HUB, GW MTN TR3 FRNT 10015 28H	1
2	20156	BEARING, 6902, ENDURO	1
3	22161	AXLE, GW FRONT TA	1
4	22122	END CAP, GW DB FRNT 15MM TA	1
5	N/A	See #4	

WARNING: The information contained herein is proprietary and confidential to Reynolds Cycling and Reynolds Cycling affiliates. This document is not intended for public distribution or disclosure. This document may be referenced and reproduced for and by Reynolds Cycling and Reynolds Cycling affiliates only.

GW MTN TRE SHIM 14812 32H



剖面圖 A-A



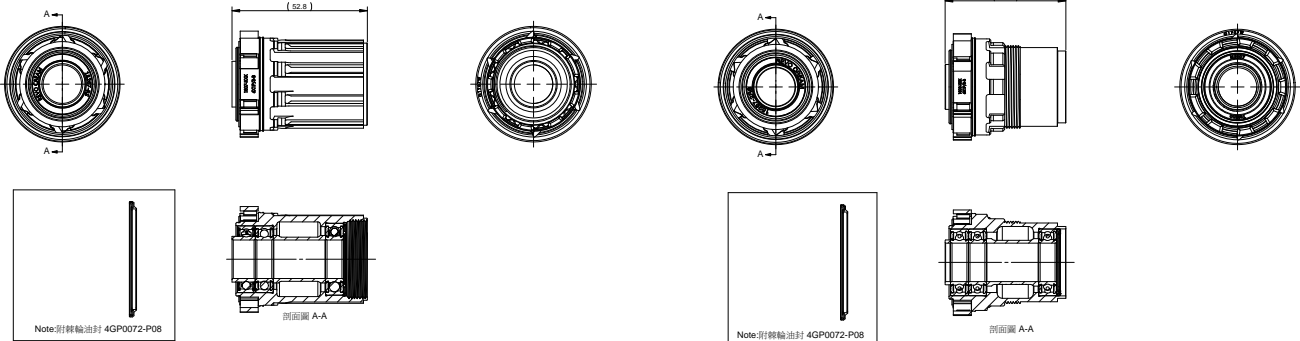
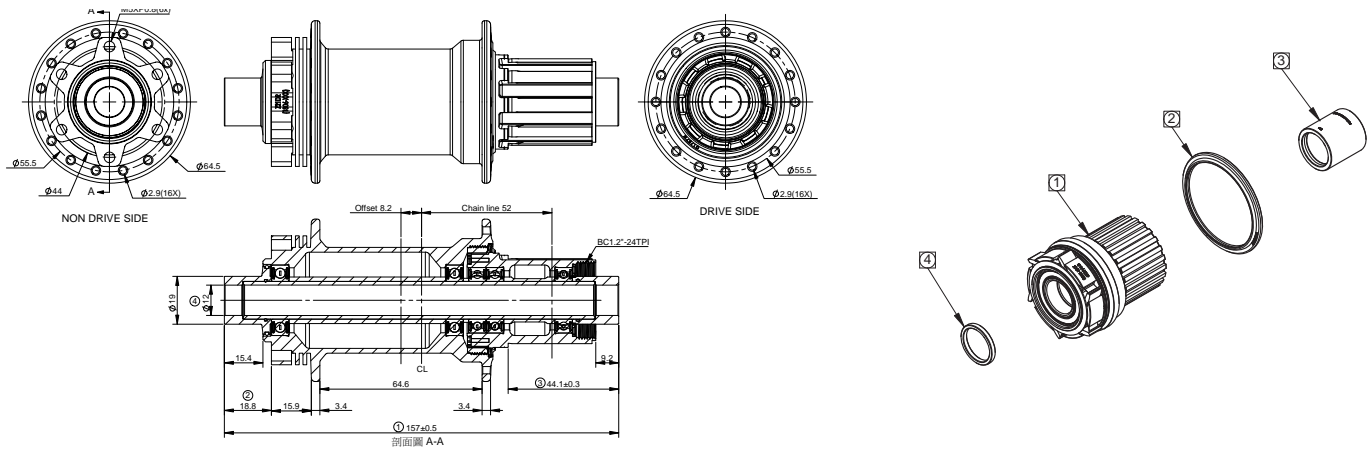
剖面圖 A-A

ITEM #	PART #	DESCRIPTION	QTY
1	22172	HUB, GW MTN TRe SHIM 14812 32H	
2	20156	BEARING, 6902, ENDURO	2
3	22162	SPACER, GW REAR AXLE	1
4	N/A	RATCHET RING	
5	N/A	Seal Ring	1
6	22169	AXLE, CrMo GW DB REAR 15/12/125 135/142	1
7	2099	SPACER, GW, RED 17.5*15*2.1 mm	1
8	22569	FREEHUB, GW TR3 SPL 4 PAWL 3 BEARING	
9	N/A	Spacer	1
10	22128	END CAP, GW DB R 12/142/148/157 TA	
11	N/A	See #10	

ITEM #	PART #	DESCRIPTION	QTY
1	22148	FREEHUB, GW MTN SHIM 6 PAWL	1
	22151	FREEHUB, GW MTN XD 6 PAWL	1
	22573	FREEHUB, GW TR6 MS 6 PAWL	1
2	20156	BEARING, 6902, ENDURO	3
3	20377	BEARING, 15267-2RS 15*26*7 LOGO:REVO CRE	1
4	N/A	BEARING	
5	N/A	SPACER	
6	N/A	PAWL SPRING	
7	N/A	PAWL	
8	N/A	SPACER	
9	N/A	SPACER	
10	N/A	FHB SEAL	
	22173	HUB, GW MTN TRe XD 14812 32H	
	22557	HUB, GW MTN TRe MS 12148 32H	

WARNING: The information contained herein is proprietary and confidential to Reynolds Cycling and Reynolds Cycling affiliates. This document is not intended for public distribution or disclosure. This document may be referenced and reproduced for and by Reynolds Cycling and Reynolds Cycling affiliates only.

GW MTN TRE SHIM 15712 32H

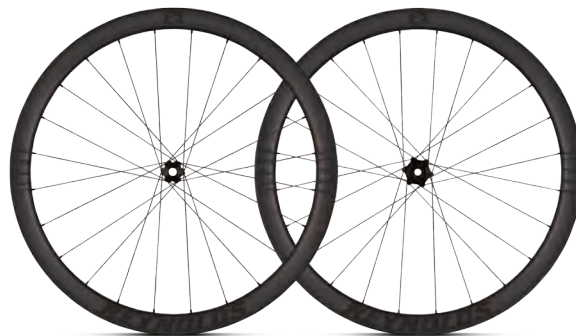


ITEM #	PART #	DESCRIPTION	QTY
1	22118	HUB, GW MTN TR3 SHIM 14812 28H	
2	20156	BEARING, 6902, ENDURO	2
3	22162	SPACER, GW REAR AXLE	1
4	N/A	RATCHET RING	
5	N/A	Seal Ring	1
6	21439	AXLE, GW LITE STEEL 15/13/131 CRMO 148	1
7	2099	SPACER, GW, RED 17.5*15*2.1 mm	1
8	22569	FREEHUB, GW TR3 SPL 4 PAWL 3 BEARING	
9	N/A	Spacer	1
10	22128	END CAP, GW DB R 12/142/148/157 TA	
11	N/A	See #10	

ITEM #	PART #	DESCRIPTION	QTY
1	22148	FREEHUB, GW MTN SHIM 6 PAWL	1
	22151	FREEHUB, GW MTN XD 6 PAWL	1
	22573	FREEHUB, GW TR6 MS 6 PAWL	1
2	20156	BEARING, 6902, ENDURO	3
3	20377	BEARING, 15267-2RS 15*26*7 LOGO:REVO CRE	1
4	N/A	BEARING	
5	N/A	SPACER	
6	N/A	PAWL SPRING	
7	N/A	PAWL	
8	N/A	SPACER	
9	N/A	SPACER	
10	N/A	FHB SEAL	
	22175	HUB GW MTN TRe XD 15712 32H	
	22558	HUB, GW MTN TRe MS 15712 32H	

WARNING: The information contained herein is proprietary and confidential to Reynolds Cycling and Reynolds Cycling affiliates. This document is not intended for public distribution or disclosure. This document may be referenced and reproduced for and by Reynolds Cycling and Reynolds Cycling affiliates only.

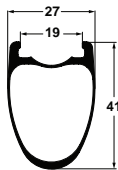
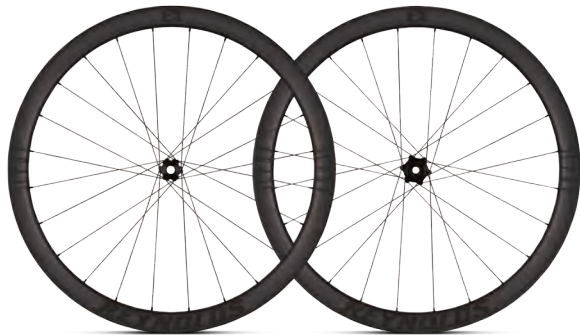
TRE ROAD WHEELS



AR 41 E

WARNING: The information contained herein is proprietary and confidential to Reynolds Cycling and Reynolds Cycling affiliates. This document is not intended for public distribution or disclosure. This document may be referenced and reproduced for and by Reynolds Cycling and Reynolds Cycling affiliates only.

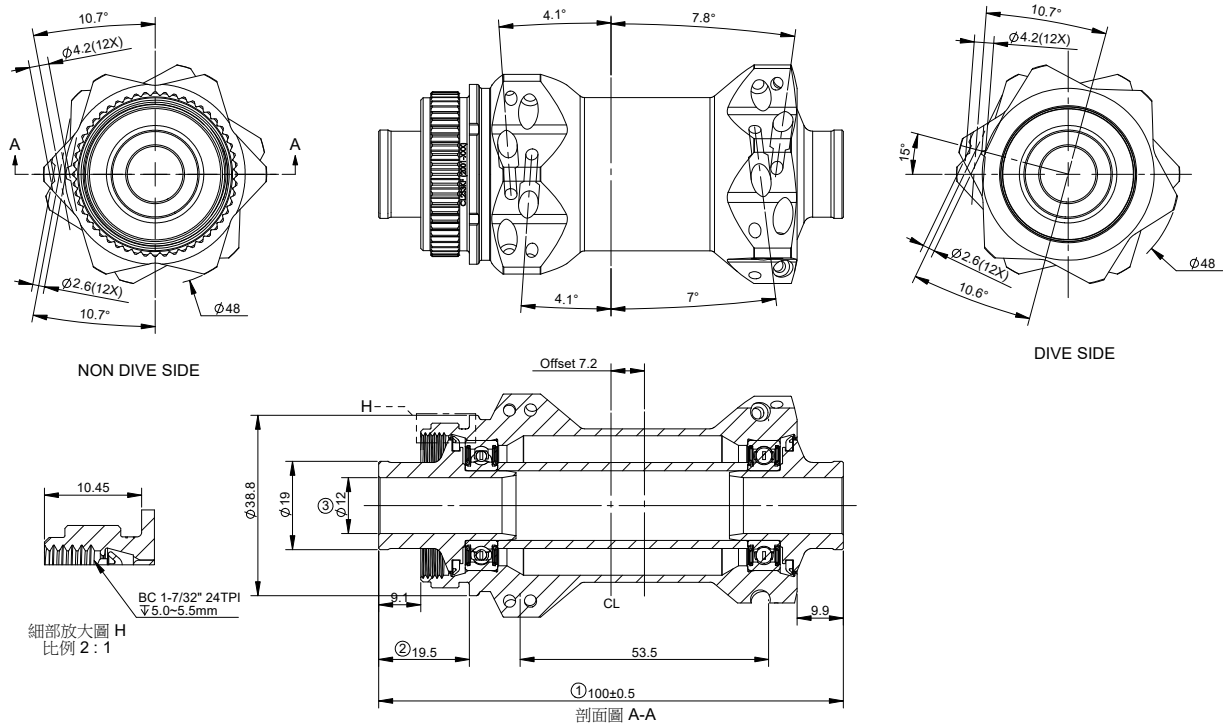
AR41 E



78941	WS, AR41e TL DB SPL 24/24	
78943	W, AR41e TL DB FRONT 24H	1
58364	D RIM, AR41 TL DB 24H EXT	1
20919	RIM TAPE, TL 25MM 5.5M INSTALED	1
22142	HUB, GW TR3 FRNT DB 12/100 24H	1
22413	SPOKE, SPM SPRINT SP 281MM BLK	24
20355	NIPPLE, EXT BLACK BRASS SQ HEAD	24
22009	DECAL, AR41e DB	1
20008	DECAL, REGISTER WHEELS	1
20007	DECAL, NOT INTENDED FOR RB USE	1
20332	WHEEL RAP HANG TAG	1
20119	BOX, TW DBLE WHL RNLD BOX 2016	0.5
85577	W ACC KIT, ASLT/ATR C TL DB FR	1
3040	9 X 12 X 4MIL ZIP LOCK BAG	1
20333	REYNOLDS NEW PROD WEBSITE CARD	1
21012	VALVE STEM, TUBELESS 55MM LONG	1
22122	END CAP, GW DB FRNT 15MM TA	1
78944	W, AR41e TL DB SPL 24H	1
58364	D RIM, AR41 TL DB 24H EXT	1
20919	RIM TAPE, TL 25MM 5.5M INSTALED	1
22456	HUB, GW TR3e SPL DB 142/12 24H	1
22415	SPOKE, SPM SPRINT SP 283MM BLK	12
22411	SPOKE, SPM SPRINT SP 279MM BLK	12
20355	NIPPLE, EXT BLACK BRASS SQ HEAD	24
22009	DECAL, AR41e DB	1
20008	DECAL, REGISTER WHEELS	1
20007	DECAL, NOT INTENDED FOR RB USE	1
20332	WHEEL RAP HANG TAG	1
20119	BOX, TW DBLE WHL RNLD BOX 2016	0.5
85578	W ACC KIT, ASLT/ATR C TL DB RE	1
3040	9 X 12 X 4MIL ZIP LOCK BAG	1
20333	REYNOLDS NEW PROD WEBSITE CARD	1
21012	VALVE STEM, TUBELESS 55MM LONG	1

WARNING: The information contained herein is proprietary and confidential to Reynolds Cycling and Reynolds Cycling affiliates. This document is not intended for public distribution or disclosure. This document may be referenced and reproduced for and by Reynolds Cycling and Reynolds Cycling affiliates only.

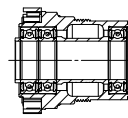
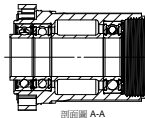
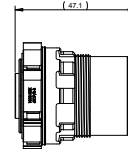
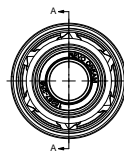
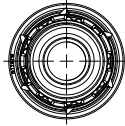
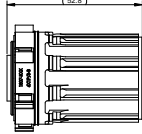
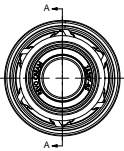
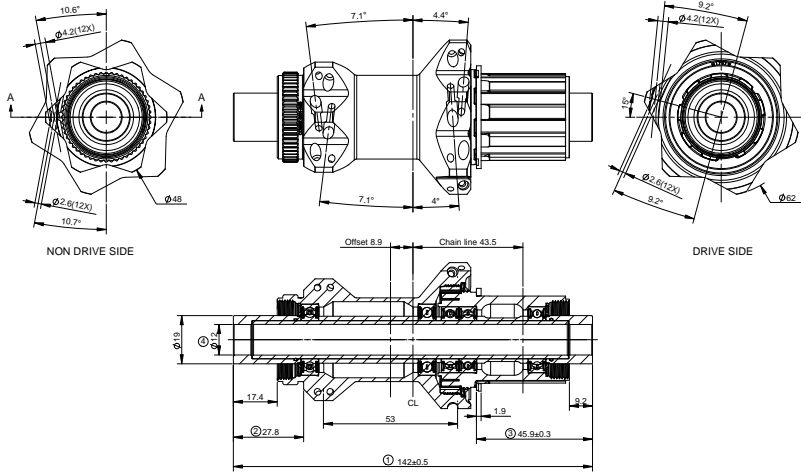
GW TR3 FRNT DB 12100 24H



ITEM #	PART #	DESCRIPTION	QTY
1	22114	HUB, GW MTN TR3 FRNT 10015 28H	1
2	20156	BEARING, 6902, ENDURO	1
3	22161	AXLE, GW FRONT TA	1
4	22122	END CAP, GW DB FRNT 15MM TA	1
5	N/A	See #4	

WARNING: The information contained herein is proprietary and confidential to Reynolds Cycling and Reynolds Cycling affiliates. This document is not intended for public distribution or disclosure. This document may be referenced and reproduced for and by Reynolds Cycling and Reynolds Cycling affiliates only.

GW TR3E SPL DB 14212 24H



ITEM #	PART #	DESCRIPTION	QTY
1	22172	HUB, GW MTN TRe SHIM 14812 32H	
2	20156	BEARING, 6902, ENDURO	2
3	22162	SPACER, GW REAR AXLE	1
4	N/A	RATCHET RING	
5	N/A	Seal Ring	1
6	22169	AXLE, CrMo GW DB REAR 15/12/125 135/142	1
7	2099	SPACER, GW, RED 17.5*15*2.1 mm	1
8	22152	FREEHUB, GW TRe SHIM 6 PAWL	
9	N/A	Spacer	1
10	22128	END CAP, GW DB R 12/142/148/157 TA	
11	N/A	See #10	

ITEM #	PART #	DESCRIPTION	QTY
1	22152	FREEHUB, GW TRe SHIM 6 PAWL	1
	22153	FREEHUB, GW TRe XD 6 PAWL	1
2	20156	BEARING, 6902, ENDURO	3
3	20377	BEARING, 15267-2RS 15*26*7 LOGO:REVO CRE	1
4	N/A	BEARING	
5	N/A	SPACER	
6	N/A	PAWL SPRING	
7	N/A	PAWL	
8	N/A	SPACER	
9	N/A	SPACER	
10	N/A	FHB SEAL	

	22547	HUB, GW MTN TR3e XDR DB 14212 24H	
--	-------	-----------------------------------	--

WARNING: The information contained herein is proprietary and confidential to Reynolds Cycling and Reynolds Cycling affiliates. This document is not intended for public distribution or disclosure. This document may be referenced and reproduced for and by Reynolds Cycling and Reynolds Cycling affiliates only.

GLOBAL HEADQUARTERS & HAYES BICYCLE GROUP USA

5800 W. Donges Bay Rd.
Mequon, WI 53092

HAYES BICYCLE GROUP EU

Dirnismaning 20 a
85748 Garching (b. Munich)
Germany

HAYES BICYCLE GROUP ASIA

16F, No. 37, Sec. 3
Mincyuan E. Rd.
Zhongshan District

HAYES BICYCLE GROUP ASIA

550 Jindi Road
Jinhua Industry Zone
Zhejiang, China, P.C. 321016

facebook.com/ReynoldsCycling



instagram.com/ReynoldsCycling



#CarbonWheelExperts

HAYES

M
manitou

PROTAPER

REYNOLDS

SUN
ringle

HAYESBICYCLE.COM

HAYES
PERFORMANCE SYSTEMS