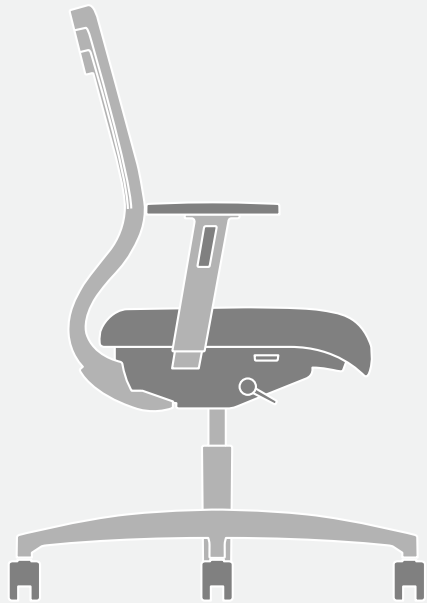


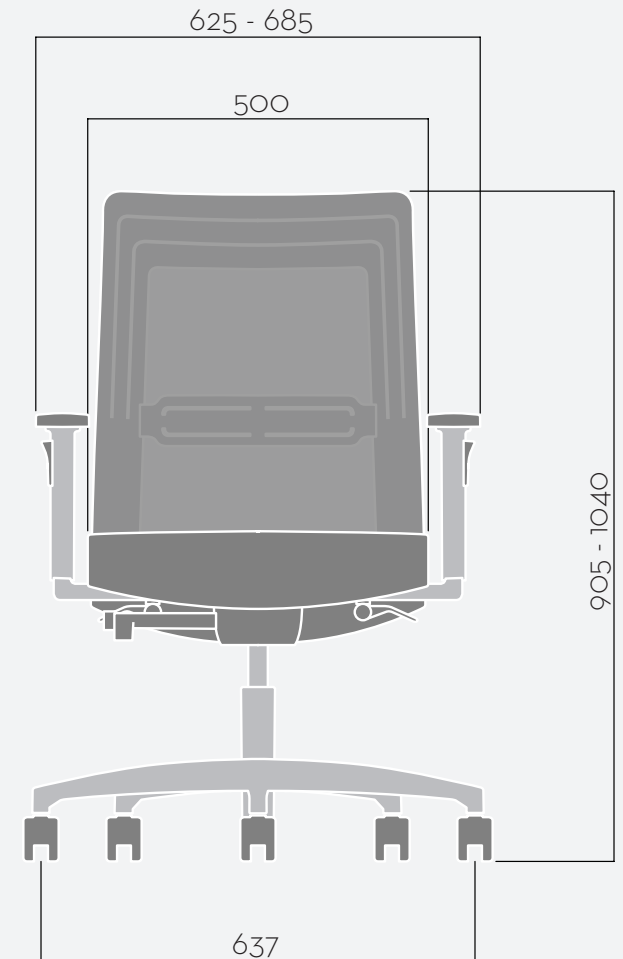
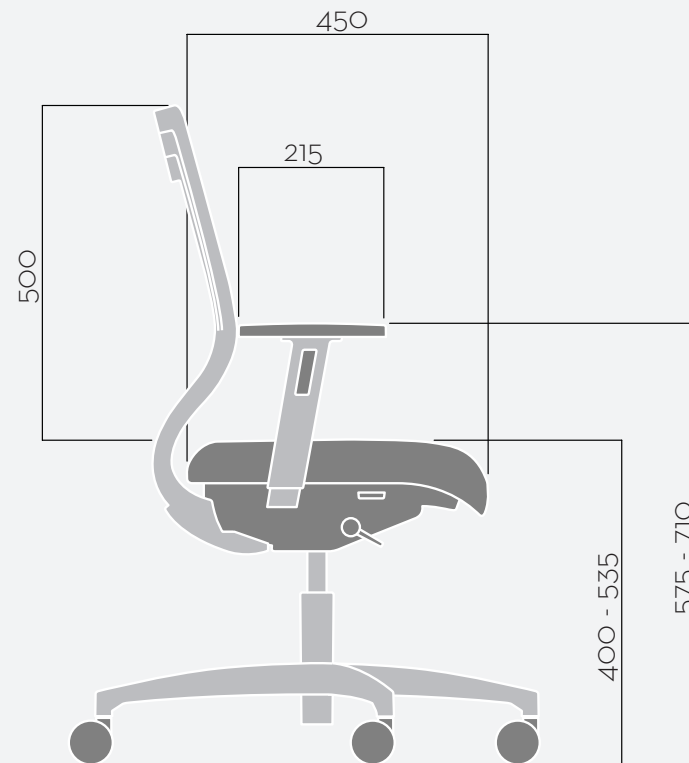
BenunaTM

Technical Specifications



BenunaTM

Technical Specifications



Specifications

Chair Options: No arms / With arms

Height Range: 400mm to 535mm seat height

Weight Capacity: 120.0kg evenly distributed load

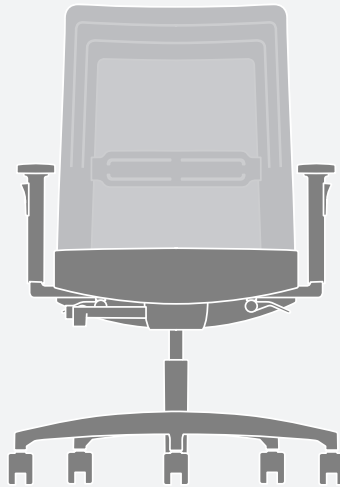
Benuna™

Technical Specifications

Features

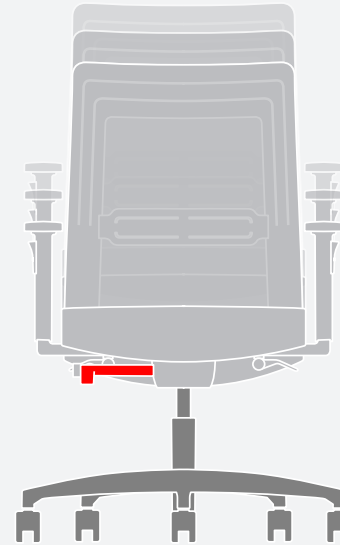
Benuna Chair Back

The Benuna Chair back is designed to provide comfort and support to your body's changing movements. The upholstered mesh is tensioned to cradle your back for constant lumbar support while adapting to changing sitting postures throughout the work day.



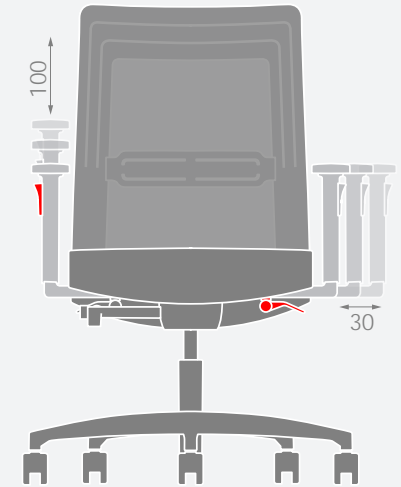
Height Adjustment

The Benuna Chair allows for the height of the seat to be adjusted to suit your height providing an ergonomically correct position for your legs. The seat height is adjusted using the paddle lever on the right side of the seat underside.



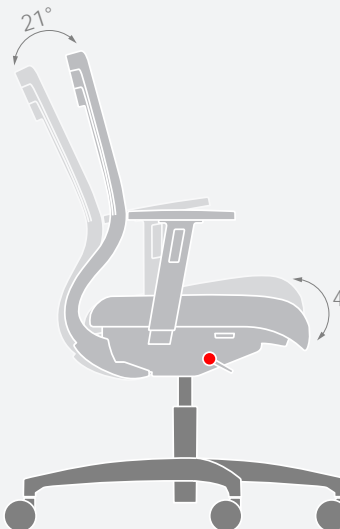
Adjustable Arms

The Benuna Chair's height adjustable arms provide an area to effectively support the weight of your arms. The height adjustment mechanism is operated with a simple and intuitive lever for fast and effortless height adjustment. The width of the arms can also be adjusted via the lever located on the underside of each arm.



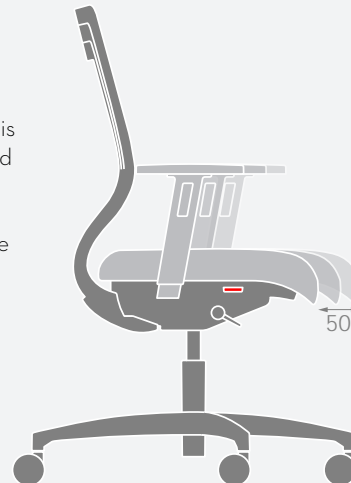
Movement

The Benuna Chair incorporates synchronised movement of the seat and back which allows you to stretch and recline while maintaining your eye line effectively at the same height. The seat mechanism features a self-adjustment system which measures the weight of the user and adjusts the seat tension accordingly. The turn dial on the end of the height adjustment lever allows the user to limit the recline of the backrest in five positions.



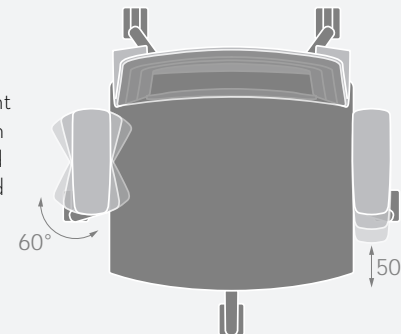
Seat Adjustment

The Benuna Chair's seat depth can be adjusted to accommodate your specific leg length so that your back is cradled against the tensioned back rest while your body weight is evenly distributed over the entire seat pad. The seat depth can be adjusted using the lever on the right side of the seat underside.



Adjustable Arm Rest

In addition to height adjustable arms, the arm rest of the Benuna Chair can also be adjusted to maximise comfort and further support the weight of your arms. The arm rest can be pushed back and forth and rotated to achieve the desired ergonomic position.



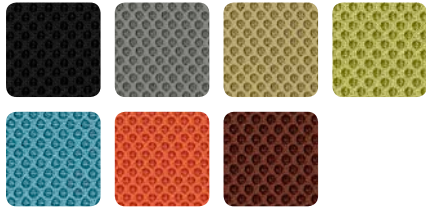
Benuna™

Technical Specifications

Finishes

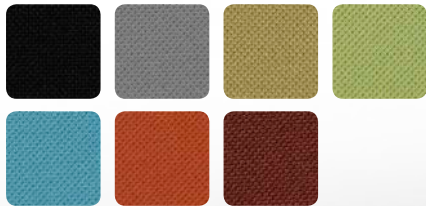
Back Mesh

Gabriel Fabric - "Runner"
Black / Grey / Olive Gold / Green /
Blue / Orange / Rust Brown

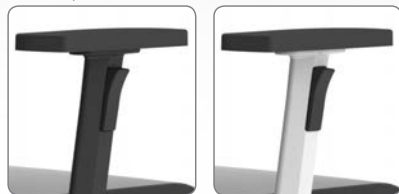


Seat Pad

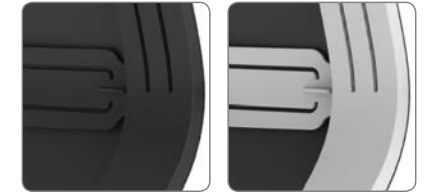
Gabriel Fabric - "Atlantic"
Black / Grey / Olive Gold / Green /
Blue / Orange / Rust Brown



Adjustable Arm
Black / White



Back Rest
Black / White



5 Star Base
Black Base, Black Gas Strut - Standard
White Base, Black Gas Strut
Polished Base, Chrome Gas Strut

